



FZS 3003 B

English .....	3-24
Čeština.....	25-46
Slovenčina .....	47-68
Magyarul .....	69-90
Polski .....	91-112
Slovenščina .....	113-136

# Petrol brush cutter

## USER'S MANUAL

**Thank you for purchasing this petrol brush cutter. Before you start using it, please carefully read this user's manual and save it for possible future use.**

### CONTENTS

1. GENERAL SAFETY INSTRUCTIONS .....	5
Important safety information .....	5
Packaging .....	5
User's manual .....	5
2. EXPLANATION OF INSTRUCTION LABELS ON THE MACHINE .....	6
3. OPERATING INSTRUCTIONS .....	7
Safety instructions .....	7
Safety instructions – fuel .....	7
Safety instructions – cutting tools .....	8
4. DESCRIPTION OF THE MACHINE .....	9
Included contents .....	9
5. ASSEMBLY .....	10
Installing the string trimmer head .....	11
Winding string trimmer line on to the trimmer head .....	11
Installing the metal three tooth blade .....	12
6. MIXING THE FUEL MIX .....	12
Storing fuel .....	13
7. PREPARING FOR OPERATION .....	13
Points to check before starting work .....	13
8. STARTING THE BRUSH CUTTER .....	13
Procedures for starting and stopping the engine .....	14
Starting a cold engine .....	14
Starting a warm engine .....	14
Controlling the speed of the string trimmer head / metal three tooth blade .....	15
Stopping the engine .....	15
9. CUTTING .....	15
Cutting with the nylon string trimmer head .....	16
Trimming grass .....	16
Clearing and trimming edges .....	16
Cutting using the blade .....	17
Cutting weeds .....	17

10. MAINTENANCE AND STORAGE.....	18
Maintaining the machine .....	18
Servicing .....	18
Warranty does not cover:.....	18
Storage .....	18
11. WHAT TO DO "WHEN".....	19
12. DISPOSAL .....	21
13. DECLARATION OF CONFORMITY.....	22
14. TECHNICAL SPECIFICATIONS.....	23

# 1. GENERAL SAFETY INSTRUCTIONS

## Important safety notice


- ✿ Carefully unpack the product and take care not to throw away any part of the packaging before you find all the parts of the product.
- ✿ Store the product in a dry place out of reach of children.
- ✿ Read all warnings and instructions. Not following warnings or instructions may lead to injury by electrical shock, a fire and/or serious injuries.

## Packaging

The product is packed in a package that prevents damage during transport. This package is a resource and so can be handed over for recycling.

## User's Manual

Before you start working with the machine, read the following safety and usage instructions. Acquaint yourself with the operating elements and the correct use of the machine. Keep the user's manual in a safe place where it can be easily retrieved for future use. Save the original packaging, including the internal packing material, warranty card and proof of purchase receipt at least for the duration of the warranty. If you need to ship this machine, pack it in the original cardboard box to ensure maximum protection during shipping or transport (e.g. when moving or when you need to send this product for repair).

 **Note:** If you hand over the machine to somebody else, do so together with the user's manual. Following the instructions in the included user's manual is a prerequisite for the proper use of the machine. The user's manual also contains operating, maintenance and repair instructions.

**The manufacturer takes no responsibility for accidents or damages resulting from not following the instructions in this manual.**

## 2. EXPLANATION OF INSTRUCTION LABELS ON THE MACHINE



Carefully read the manual before use



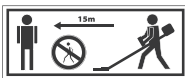
While working use protective aids



General danger warnings!



Caution, recoil!



Keep other persons (particularly children) and animals out of range, at least 15 m from the working area.

## 3. OPERATING INSTRUCTIONS

### Safety instructions

#### Read carefully!

- \* Always wear a safety helmet, safety gloves, protective clothing (cut-resistant trousers) and safety footwear.
- \* Keep the machine out of children's reach.
- \* Never run the engine if there is only petrol in the petrol tank.
- \* Never pour in fuel if the engine is running or if it is still hot. Only fill up the engine when it is cold.
- \* Store fuel in a closed container in a dry and cool place.
- \* Adhere to safety directives.
- \* Check the work area prior to every use. Remove items that could be deflected or that could jam in the machine.
- \* When working, all other persons must be outside the range of at least 15 meters.
- \* Never use the machine without the protective cover (of the cutting blade) installed.
- \* Never fill up the petrol tank so that it is completely full.
- \* The fuel tank cap must be firmly tightened to prevent fuel from leaking out.
- \* Do not permit the machine to run at full speed if the petrol tank is empty.  
Never turn off the machine suddenly if it is running at full speed.
- \* Do not use the machine if it is damaged in any way. Contact a qualified service centre.
- \* When carrying, hold the entire machine because holding it only by the fuel tank is dangerous and may result in damage to the petrol tank and a fire.
- \* Always hold the brush cutter with both hands.
- \* Never place a hot brush cutter on to dry grass.
- \* Smoking is forbidden when working with the machine.

### Safety instructions

#### Fuel

- \* During transport, the fuel tank of the brush cutter must be empty.
- \* Only transport fuel in approved canisters.
- \* Regularly inspect the fuel tank cap. It must be tightened and fuel must not leak out.
- \* Protect the environment: take care to avoid a fuel spill and soil contamination.
- \* Start the machine at least 3 metres away from where you filled it up with fuel.
- \* Never fill up fuel in closed rooms. There must be sufficient ventilation in the room, risk of an explosion.
- \* Do not inhale fuel vapours. Wear safety gloves when pouring in fuel.
- \* Regularly replace and clean your protective clothing.

## Safety instructions

### Cutting tools

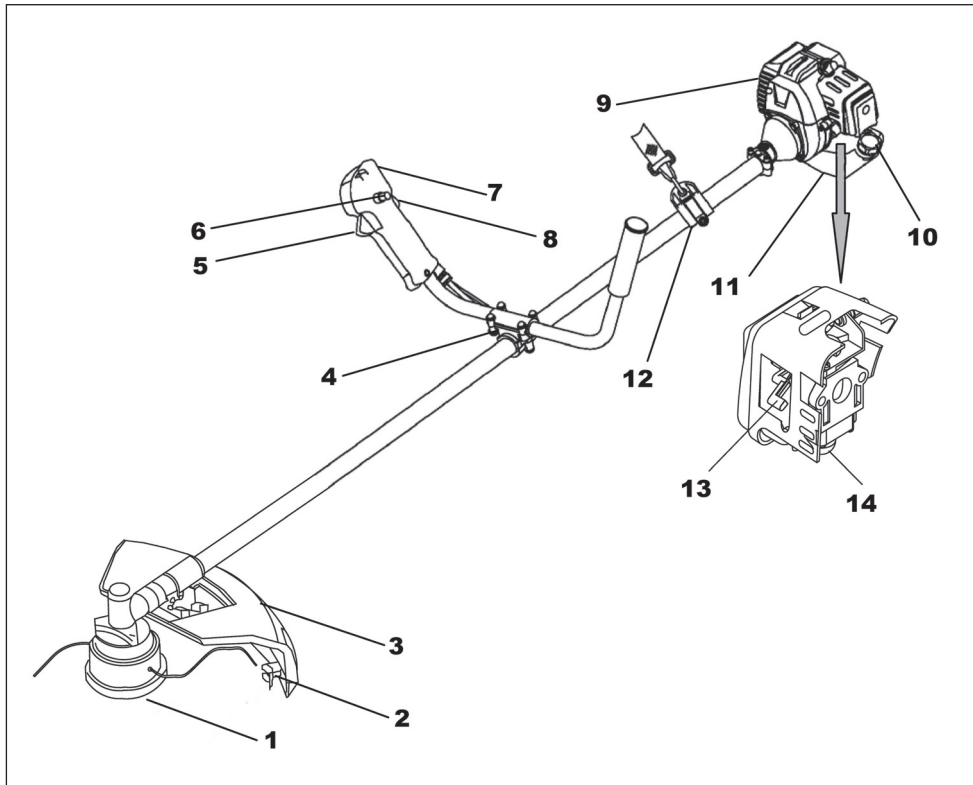
- \* When installing the cutting tool, check the condition of the blade. If it is damaged (cracked, bent, broken off, etc.), replace it.
- \* After installing the blade, check again that the hole in the blade is level with the arm of the blade tang.
- \* Spin the blade, check again that the blade has no tendency to rotate irregularly.
- \* Check that the blade is installed with the sharp edge moving in the direction of rotation. Never install it the other way around.
- \* Check that the cutting tool is properly assembled by turning it without load (1 minute is enough).
- \* An appropriate blade must be selected for the material that is to be cut.
- \* Never push the blade against objects when in operation. Material must be cut at reasonable speed.
- \* If you hear an unusual noise or the machine vibrates abnormally, stop working and identify the cause.
- \* Do not stop the machine while the blade is cutting a material. There is a danger of damaging the machine. The cutting tool must be fitted with an appropriate guard.

**⚠ ATTENTION!** If instructions are not followed, there is a danger of a serious or even fatal injury to persons!

- \* Acquaint all persons working with this machine with the operation of the machine and the safety instructions.



## 4. DESCRIPTION OF THE MACHINE



- |                                       |                          |
|---------------------------------------|--------------------------|
| 1. Semi-automatic string trimmer head | 9. Engine                |
| 2. Trimmer line cutter                | 10. Fuel tank cap        |
| 3. Protective safety guard            | 11. Fuel tank            |
| 4. Handle mount                       | 12. Shoulder strap hitch |
| 5. Throttle trigger                   | 13. Choke control lever  |
| 6. Half throttle lock                 | 14. Fuel primer bulb     |
| 7. Power switch                       |                          |
| 8. Throttle safety switch             |                          |

### Included contents:

String trimmer head, metal three tooth blade, shoulder strap, calibrated fuel mixing container, spare spark plug, hex key 4mm, hex key 5mm, 4x hex screw 5mm, 4x hex screw 4mm with nut (installed on the plastic guard mount), 2x draw bands, screwdriver, wrench 8/10, tubular wrench with a Philips screwdriver.

## 5. ASSEMBLY

- ✿ Using the four included screws, attach the engine of the brush cutter to the shaft (see fig. 2).
- ✿ Install the protective guard on to the shaft using the supplied screws and nuts (see fig. 3)
- ✿ Install the handle into the mount (see fig. 4). The handle can be moved along the shaft. In this way, everybody can select the ideal comfortable working position. After selecting the ideal working position, tighten the screws. Fasten the control cable to the shaft using the supplied draw bands.

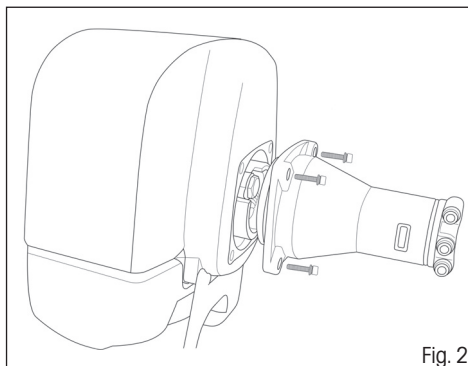


Fig. 2

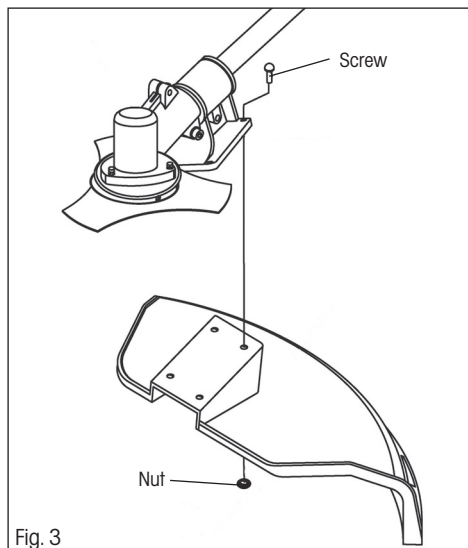


Fig. 3

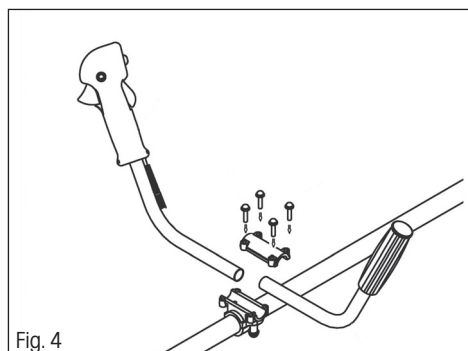
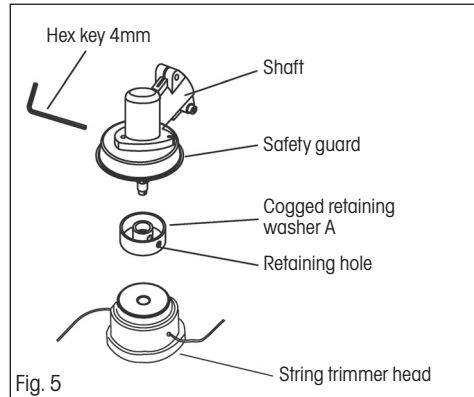


Fig. 4

### Installing the string trimmer head

- ✿ Lock the shaft in place by inserting the 4 mm hex key (see fig. 5). To achieve this, it is necessary to align the hole in the protective guard with the hole in the shaft and insert the hex key. Align the holes by turning the protective guard.
- ✿ Install the individual components in the following order:
  1. cogged retaining washer A (also equipped with a retaining hole)
  2. string trimmer head
- ✿ Please screw the string trimmer head on the shaft by turning anticlockwise (mind the reverse thread) and tighten properly.
- ✿ Take the hex key out of the retaining hole.

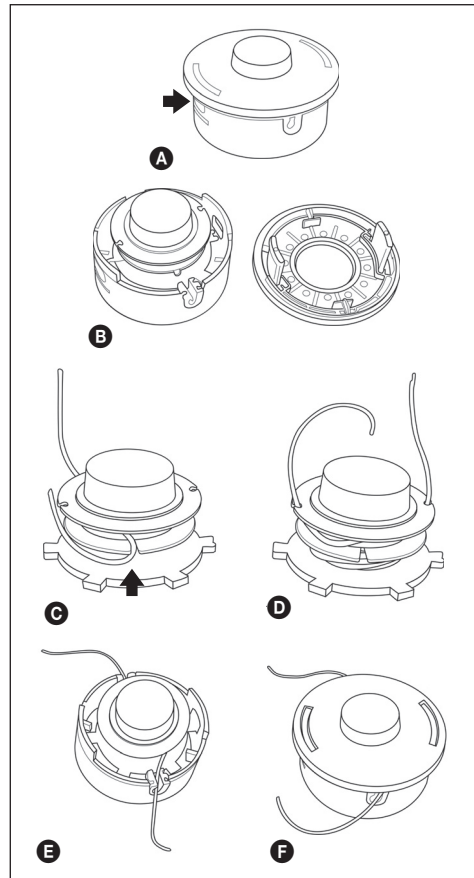


### Winding string trimmer line on to the trimmer head

1. Push in the retaining latches on the side of the head and take off the cover (see fig. A and B)
2. Take the spool out of the string trimmer head. Prepare about 2-3 m of string trimmer line with a diameter of 2.4 mm.
3. Bend the string trimmer line in the middle and secure the bend in the groove (see fig. C)
4. Wind both ends in parallel on to the spool in a clockwise direction. Secure the ends of the wound on string trimmer line into the prepared holes (see fig. D)
5. Return the spool back into the string trimmer head and secure in place with the cover (see fig. E and F)

#### **⚠ WARNING!**

Use only good quality nylon string trimmer line with a diameter of 2.4 mm. Never use wire or wire-reinforced string trimmer line instead of the nylon string trimmer line. Only use the original string trimmer head.



### Installing the metal three tooth blade

- ✿ Lock the shaft in place by inserting the 4 mm hex key (see fig. 6). To achieve this, it is necessary to align the hole in the protective guard with the hole in the shaft and insert the hex key. Align the holes by turning the protective guard.
- ✿ Install the individual components in the following order:
  1. Cogged retaining washer A (also equipped with a retaining hole)
  2. metal three tooth blade
  3. retaining washer B
  4. cup cover
  5. lock nut
- ✿ Make sure that the blade is correctly seated in the distancing part of the cogged retaining washer A
- ✿ Using the attached socket wrench, turn the knife's fixing nut anticlockwise (mind the reverse thread) until securely tightened.
- ✿ Take the hex key out of the retaining hole.

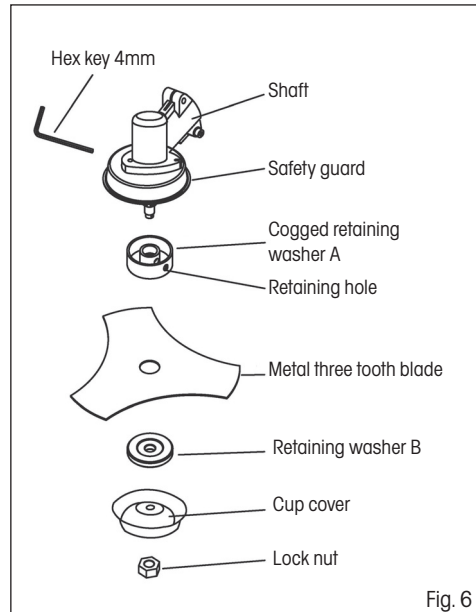


Fig. 6

### ⚠ WARNING!

IN THE EVENT OF EXCESSIVE VIBRATIONS – IMMEDIATELY STOP THE ENGINE

Excessive vibrations of the blade mean that this blade is not installed correctly. Immediately turn off the engine and check the blade.

An incorrectly installed blade may cause injuries.

Only use original accessories when performing maintenance or servicing this product.

## 6. MIXING THE FUEL MIX

### ⚠ WARNING!

- ✿ Never pour fuel into the fuel tank in a closed and unventilated location.
- ✿ Do not pour fuel in the vicinity of an open flame or a source of sparks.
- ✿ Do not overfill the petrol tank. Before starting the engine, make sure that all spilled fuel is wiped away.
- ✿ If the engine is hot, DO NOT POUR IN FUEL.
- ✿ **For this type of two-stroke engine a mixture of lead-free petrol and two-stroke engine oil is used at a ratio of 25 : 1.**

⚠ **ATTENTION!** A fuel mix that is mixed at a ratio other than 25 : 1 may damage the engine. Make sure that this fuel mix is mixed correctly.

- ✿ When mixing petrol with two-stroke engine oil, use only petrol containing NO ETHANOL or METHANOL (types of alcohols).
- ✿ Use quality petrol with an octane number of 95 or higher. This will help prevent possible damage to the fuel system and other parts of the engine.  
We recommend the use of the calibrated container supplied with the brush cutter for mixing the fuel mix.  
**DO NOT MIX THE PETROL AND OIL DIRECTLY IN THE FUEL TANK.**

### Storing fuel

Only store fuel in a clear, safe and approved canister. Inform yourself about and adhere to local directives related to the type and storage of canisters filled with fuel.

#### **⚠ IMPORTANT**

Fuel for two-stroke engines may separate. Prior to every use, thoroughly shake the canister with fuel. Stored fuel ages. Do not mix more fuel than you expect to consume within one month.

## 7. PREPARING FOR OPERATION

#### **⚠ IMPORTANT:**

Follow instructions for preparing the fuel mix! Not following these instruction may damage the engine! Do not use fuel that has been stored for longer than two months. A fuel mix stored for longer than two months will cause problems at start up and lower engine performance. If the fuel mix is stored for longer than two months, it should be removed and new fuel must be used.

#### **Points to check before starting work**

1. Check whether any screws, nuts and installation elements are loose. Tighten any loose screws.
2. Check whether the air filter is dirty. Prior to starting work, remove all dirt from the air filter.
3. Make sure that the plastic head guard and the blade is securely fastened in place.
4. Check the fuel tank for leaks.
5. Check the blade or the string trimmer head for damage.

## 8. STARTING THE BRUSH CUTTER

#### **⚠ WARNING!**

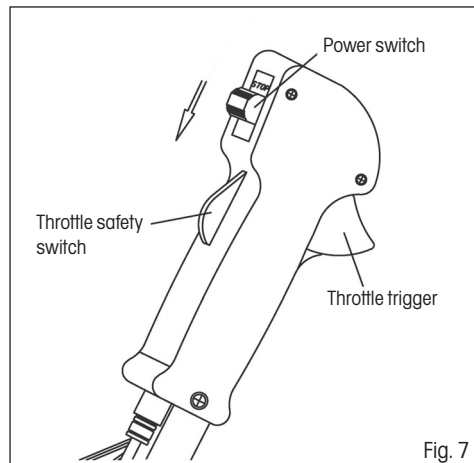
- ✿ Prior to starting the engine, make sure that the cutting blade/string trimmer head can move freely and is not touching any foreign objects.
- ✿ When the engine is idling, the cutting tool must not be turning. Otherwise, contact an authorised service centre to perform an inspection and remedy the problem.
- ✿ Prior to starting the engine, make sure that the throttle trigger moves freely.

- ⚠ ATTENTION:** Hold the brush cutter firmly with both hands. Always stand so that your body is on the left of the shaft tube. Never hold the handle with crossed arms. These instructions also apply to left-handers.
- ⚠ ATTENTION:** Exposure to vibrations may damage the health of persons that suffer from circulatory or nerve system problems. If any physical problems become evident, such as desensitisation, loss of sensitivity, loss of usual strength or changes in skin colour, please contact a doctor. These systems usually manifest themselves on fingers, hands or wrists.

## PROCEDURES FOR STARTING AND STOPPING THE ENGINE

### Starting a cold engine

1. Set the power switch to the "START" position. (see fig. 7)
2. Repeatedly push down the fuel primer bulb (5 to 10 presses), until the fuel gets to the carburettor. (see fig. 8)
3. Move the choke lever upwards to the "OFF" position (=air supply turned off, i.e. choke turned on). (see fig. 8)
4. Lean the brush cutter against the ground so that it is stable and pull on the handle of the starting cord until the engine rotates (the engine will show signs of attempting to start).
5. At this point, push the choke lever downwards to the "ON" position (=air supply turned on, i.e. choke turned off) and start the engine by repeatedly pulling on the starting cord.

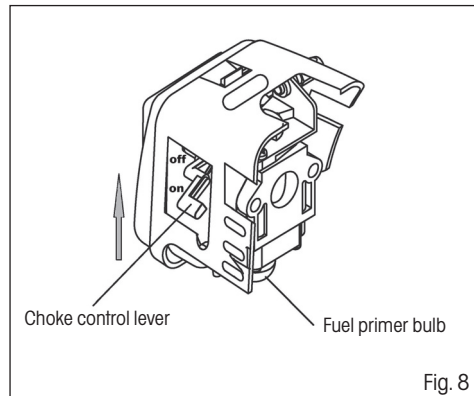


- ⚠ ATTENTION!** Rotating the engine for too long with the choke lever in the OFF position will result in flooding of the engine and problems with starting it up.

6. Prior to starting work, leave the engine to warm up for a few minutes to get up to operating temperature.

### Starting a warm engine

1. Set the power switch to the "START" position.
2. Pull on the handle of the starting cord until the engine starts up. **DO NOT USE THE CHOKE!**



**⚠ ATTENTION!** In the event that the fuel in the fuel tank was completely used up, after pouring in fuel, repeat the steps for STARTING A COLD ENGINE.

### Controlling the speed of the string trimmer head / metal three tooth blade

- ✿ To increase speed, first use the palm of your hand to push down the throttle safety switch and then use your finger to pull on the throttle trigger (see fig. 7)
- ✿ The throttle trigger can be locked in place using the half-throttle lock (fig. 1, bod 6)
- ✿ To lower the speed, release the throttle trigger

### Stopping the engine

- ✿ Move the power switch to the STOP position.

### ⚠ WARNING!

The engine exhaust fumes contain chemical substances that are damaging to health. Never inhale these fumes. Always start the brush cutter outdoors.

## 9. CUTTING

### ⚠ WARNING!

When working with any string trimmer or brush cutter model, there is a danger of deflecting stones, metal or small objects and the cut material. Carefully read all the safety directives. Follow all the instructions provided in this user's manual.

### ⚠ WARNING!

Use head, eye, face and hearing protection. Use appropriate footwear that will protect your feet and which will ensure a firm stance on slippery surfaces. Do not wear ties, jewellery or loose clothing that could become caught in the moving parts of the tool. Do not wear footwear with an open tip. Do not work barefoot or with bare legs. In certain situations you must use full face and head protection. Take care to avoid recoil and jamming of the blade.

### ⚠ WARNING

Always use the shoulder strap.

Set the shoulder strap and its hitch on the tool so that the brush cutter is suspended several centimetres above the terrain. The head of the brush cutter and the metal guard must be level in all directions. Hang the brush cutter on the right side of the body.

### ⚠ DANGER ZONE

NOBODY APART FROM THE OPERATOR MAY ENTER THE DANGER ZONE OF A 15 METRE RADIUS. THE OPERATOR MUST USE APPROPRIATE EYE, HEARING, FACE, FOOT, LEG AND BODY PROTECTION. PERSONS LOCATED IN THE DANGER ZONE OR IN THE RISK ZONE AFTER THE DANGER ZONE MUST USE EYE PROTECTION AGAINST DEFLECTED OBJECTS. THE RISK IS REDUCED WITH INCREASING DISTANCE FROM THE DANGER ZONE.

## CUTTING WITH THE NYLON STRING TRIMMER HEAD

- ✿ The string trimmer head rotates CLOCKWISE.
- ✿ **The trimmer line is extended out semi-automatically. While trimming, simply gently tap the head on the ground, which will push down the button on the underside of the head and the string trimmer line will slide out. The string trimmer line is then shortened to the maximum permitted length on the blade integrated in the plastic guard.**

### Trimming grass

- ✿ During this activity, carefully move the trimmer into the material that you wish to trim. Slowly tilt the head so that the trimmed material is ejected away from you. If you are trimming all the way up to obstacles such as fences, walls and trees, then approach at such an angle that all material is ejected away from you. Slowly move the head with the nylon string trimmer line from right to left until the grass is trimmed all the way to the obstacle but avoid the string trimmer line coming into contact with the obstacle.
- ✿ When trimming in the vicinity of a wire fence or enclosure, proceed carefully so as not to come into contact with the wires. If you exceed the minimum distance from the fence, the string trimmer line will be shortened after impact.
- ✿ When cutting weeds, it is possible to cut one stem at a time. Place the trimmer head with string trimmer line at the bottom part of the weed - never the top because the stem may start quivering and the string trimmer line may become caught in it. Rather than attempting to cut the weed directly, it is better to use only the end of the string trimmer line and to cut the stem slowly.

### Clearing and trimming edges

- ✿ Both these tasks are performed using the head with the nylon line tilted at large angle. Clearing means removing the top vegetation after which only soil remains.
- ✿ Trimming edges means trimming the grass at the edge of lawns that extends on to footpaths and roads.
- ✿ While clearing and trimming edges, hold the tool at a steep angle and in a position where dirt, cut material and stones will not be ejected backwards towards you in the event that they ricochet from a hard surface. Despite the pictures showing how to perform clearing and trimming of edges, every user must find their own position that will suit their body dimensions and working conditions.

### ⚠ WARNING

If a head with a nylon line is used, the correct protective guard must be fitted. If the nylon line extends out too far, it may start fluttering. If you use a head with a nylon line, always use the protective plastic guard with the cutter blade.

### ⚠ WARNING

Be very careful when working above soil or gravel because the nylon line may deflect small stones at a very high speed.

The protective guard on this tool cannot stop objects that ricochet off hard surfaces.

### ⚠ WARNING


Do not trim in places where there are wires and wire mesh. Use protective aids. Do not trim in locations where you cannot see what the trimmer is trimming.



## CUTTING USING THE BLADE

### Cutting weeds

- ✿ This is cutting performed by a pendular movement of the blade in an arch shape. In this way you can quickly clear a large area of dense grass and weed. Brush cutting should be used for cutting large and tough weeds or woody vegetation.
- ✿ Brush cutting may be performed in both directions or only in one direction, which will mean that the cut material will be ejected away from you. With this type of cutting, the part of the blade moving away from you will do the work. Slightly tilt the blade down to the same side. If you will be brush cutting in both directions, you will be hit by some deflected material.

 **Note:** Do not use the brush cutter blade for cutting trees with a diameter larger than 12 mm.

### **WARNING**

DO NOT TOUCH THE FOLLOWING OBJECTS WITH THE BLADE:  
METAL POLES, ELECTRICAL WIRE, RUBBER, MASONRY, STONES, FENCES

### **WARNING**

Do not cut if the metal blade is blunt, cracked or damaged.  
Before starting to cut, check that there are no obstacles in the work area such as rocks, metal poles or wound up wires. If you cannot remove these obstacles, mark them out so that they do not come in contact with the blade. Rocks or metal objects will blunt or damage the blade. Wires may wind on to the blade head or may be deflected and cause injuries.

# 10. MAINTENANCE AND STORAGE

## Maintaining the machine

- ✿ Before every use:
  - Check that all nuts and bolts are tightened.
  - Check that no fuel is leaking from the fuel tank.
  - Lubricate the gearbox with grease.
- ✿ After every 20 hours of operation (For this purpose we recommend you contact an authorised service centre):
  - Clean the air filter.
  - Clean the fuel filter.
- ✿ After every 50 hours of operation (For this purpose we recommend you contact an authorised service centre):
  - Clean the spark plug and adjust the gap between the electrodes to a distance of 0.6–0.7 mm.
  - Clean out deposits from the exhaust and muffler.
  - Disconnect the shaft and lubricate with quality lubricant.
- ✿ Check the installation after performing maintenance and check that all nuts and bolts are pulled tight.

## Service

- ✿ In the event that after purchasing the product you find any kind of defect, contact the service department. When using the product, follow the instructions contained in the included user's manual.
- ✿ A complaint will not be accepted if you modified the product or if you did not follow the instructions in the user's manual.

## Warranty does not cover:

- ✿ Normal wear and tear of operating parts of the machine as a result of its use
- ✿ Servicing tasks related to standard maintenance of the machine (e.g. cleaning, lubrication, tuning, etc.)
- ✿ Defects caused by external effects (e.g. climatic conditions, dustiness, inappropriate use, etc.)
- ✿ Mechanical damage resulting from the machine being dropped, impact, etc.
- ✿ Damages resulting from unprofessional handling, overloading, use of incorrect parts, inappropriate tools, etc. On returned products that were not properly protected against mechanical damage during transport, the risk of potential damage is borne exclusively by the owner.

## Storage

**⚠ ATTENTION!** If you will not be using the machine for an extended period of time, store it according to the following instructions. This will extend the lifetime of the machine.

- ✿ Fully drain fuel from the fuel tank and the carburettor. Close the choke and pull on the cord 3 to 5 times.
- ✿ Screw out the spark plug and pour a small amount of motor oil into the socket. Gently pull the pull cord 2 to 3 times.
- ✿ Use a clean cloth to clean the exterior surfaces. Store the machine in a clean dry location.

## 11. WHAT TO DO "WHEN" ...

The engine will not start	Possible cause	Remedy
1. Check the fuel.	There is no fuel in the fuel tank or carburettor.	Add fuel.
	The fuel contains water.	
	Incorrect ratio of the fuel mix.	Drain the fuel tank and carburettor. Fill the fuel tank with new fuel.
2. Remove and check the spark plug.	Faulty or dirty spark plug.	Replace the spark plug
	Incorrect gap between the electrodes.	
	The spark plug is too damp, in contact with petrol (flooded engine).	Slide the spark plug out and reinstall.
3. Take the motor to a qualified service centre or to the vendor.	Clogged fuel filter, carburettor defect, starting defect, clogged valves, etc.	Replace or repair the faulty parts.

Engine performance is insufficient	Cause of the malfunction	Correction
1. Check the air filter.	Dirty air filter.	Clean or replace the air filter insert.
2. Check the fuel.	The fuel contains water.	Drain the fuel tank and carburettor.
	Incorrect ratio of the fuel mix.	Fill the fuel tank with new fuel.
3. Check the choke setting and the throttle controls.	The throttle is not fully open.	Adjust the setting.
	Poorly adjusted throttle cable.	
4. Take the motor to a qualified service centre or to the vendor.	Clogged fuel filter, carburettor defect, starting defect, clogged valves, etc.	Replace or repair the faulty parts.

<b>The motor starts and dies immediately</b>	<b>Possible cause</b>	<b>Remedy</b>
1. Check the fuel.	Fuel ran out.	Add fuel.
	The fuel contains water.	Drain the fuel tank and carburettor.
	Incorrect ratio of the fuel mix.	Fill the fuel tank with new fuel.
2. Remove and check the spark plug.	Faulty or dirty spark plug.	Replace the spark plug.
	Incorrect gap between the electrodes.	
3. Check the air filter.	Dirty the air filter. Clogged air filter.	Clean or replace the air filter insert.
4. Take the motor to a qualified service centre or to the vendor.	Clogged air bleed valve.	Replace or repair the faulty parts.
	Clogged fuel filter, carburettor defect, starting defect, clogged valves, etc.	

## 12. DISPOSAL

### **INSTRUCTIONS AND INFORMATION REGARDING THE DISPOSAL OF USED PACKAGING MATERIALS**

Dispose of used packaging material at a site designated for waste in your municipality.



The machine and its accessories are manufactured from various materials, e.g. metal and plastic.

Take damaged parts to a recycling centre. Inquire at the relevant government department.



This product meets all the basic requirements of EU directives that apply to it.

Changes in the text, design and technical specifications may be made without prior notice and we reserve the right to make these changes.

User's manual in the original language.

# 13. DECLARATION OF CONFORMITY

# FAST<sup>®</sup>

FAST ČR, a. s.  
Černokostelecká 1621, 251 01 Říčany, Česká republika  
tel.: +420 323 204 111, fax: +420 323 204 110

## DECLARATION OF CONFORMITY

**Manufacturer:**

FAST ČR, a. s.  
Černokostelecká 2111, 100 00 Praha 10, Czech Republic  
VAT no: CZ26726548

**Product/ brand:** GASOLINE BRUSH CUTTER AND GRASS TRIMMER/ FIELDMANN

**Type/model:** FZS 3003-B

**Engine parameters:** 25.4 ccm; 0.7 kW/ 6500 rpm; max. 8500 rpm

**This declaration of conformity is issued under the sole responsibility of the manufacturer.**

**The object of the declaration described above is in conformity with the relevant Union harmonisation legislation:**

Directive 2012/46/EU  
Directive Machinery 2006/42/EC  
Directive EMC 2014/30/EU

**The relevant harmonised standards and the other technical specifications:**

EN ISO 11806-1:2011  
EN ISO 14982:2009



**Place of issuance:** Prague

**Name:** Ing. Zdeněk Pech  
Chairman of the Board

**Date of issuance:** 1. 4. 2017

**Signature:**

**FAST<sup>®</sup>** FAST ČR, a. s.  
Černokostelecká 1621, 251 01 Říčany  
IČO: 26726548 tel.: +420/ 323 204 111  
DIČ: CZ26726548 fax: +420/ 323 204 110



ID: 26 72 65 48, DIČ: CZ-26 72 65 48

Banka: Komerční banka Praha 1, č. ú. 89309011/0100, Česká spořitelna Praha 4, č. ú. 2375682/0800,  
ČSOB Praha 1, č. ú. 8010-0116233383/0300

# 14. TECHNICAL SPECIFICATIONS

Model .....	FZS 3003 B
Displacement .....	25.4 cm <sup>3</sup>
Maximum power output of engine .....	0.70 kW
Length of shaft .....	1500 mm
Type of motor .....	2-stroke air cooled
Recommended maximum speed without load .....	8500 rpm
Trimmer line diameter .....	2.4 mm
Spark plug .....	L6(LD)
Fuel tank volume .....	800 ml
Fuel mix ratio (oil for 2-stroke engines/Lead-free 95) .....	1:25
Weight without fuel and cutting tools .....	6.6 kg
Acoustic power level, guaranteed LWA .....	112 dB(A)
Sound pressure level, maximum LPAav .....	94.5 dB (A)
Vibration level - string head, left handle .....	8.9 m/s <sup>2</sup>
Vibration level - string head, right handle .....	9.8 m/s <sup>2</sup>
Vibration level - trident, left handle .....	4.5 m/s <sup>2</sup>
Vibration level - trident, right handle .....	3.7 m/s <sup>2</sup>
Deviation .....	K = 1.5 m/s <sup>2</sup>





# Benzínový křovinořez

## NÁVOD K OBSLUZE

**Děkujeme vám, že jste si zakoupili tento benzínový křovinořez. Než jej začnete používat, přečtěte si, prosím, pozorně tento návod k obsluze a uschovejte jej pro případ dalšího použití.**

## OBSAH

1. VŠEOBECNÉ BEZPEČNOSTNÍ PŘEDPISY .....	27
Důležitá bezpečnostní upozornění .....	27
Obal .....	27
Návod k použití .....	27
2. VYSVĚTLENÍ ŠTÍTKŮ S POKYNY NA STROJI .....	28
3. POKYNY K POUŽITÍ .....	29
Bezpečnostní instrukce .....	29
Bezpečnostní instrukce – palivo .....	29
Bezpečnostní instrukce – řezací nástroje .....	30
4. POPIS STROJE .....	31
Obsah balení .....	31
5. SESTAVENÍ .....	32
Montáž strunového hlavy .....	33
Doplnění struny do strunové hlavy .....	33
Montáž ocelového trojzubce .....	34
6. PŘÍPRAVA PALIVOVÉ SMĚSI .....	34
Skladování paliva .....	35
7. PŘÍPRAVA NA POUŽITÍ .....	35
Kontrolované body před zahájením práce .....	35
8. SPUŠTĚNÍ KŘOVINOŘEZU .....	35
Postupy pro startování a zastavení motoru .....	36
Startování studeného motoru .....	36
Startování zahřátého motoru .....	36
Regulace otáček strunové hlavy / ocelového trojzubce .....	37
Zastavení motoru .....	37
9. SEČENÍ .....	37
Sekání pomocí hlavy s nylonovou strunou .....	38
Zastříhování trávy .....	38
Osekávání a sekání okrajů .....	38
Sekání pomocí nože .....	39
Kosení plevelů .....	39

10. ÚDRŽBA A USKLADNĚNÍ.....	40
Údržba stroje .....	40
Servis .....	40
Záruka se nevztahuje:.....	40
Uskladnění.....	40
11. CO DĚLAT „KDYŽ“.....	41
12. LIKVIDACE .....	43
13. PROHLÁŠENÍ O SHODĚ.....	44
14. TECHNICKÉ ÚDAJE.....	45

# 1. VŠEOBECNÉ BEZPEČNOSTNÍ PŘEDPISY

## Důležitá bezpečnostní upozornění


- ✿ Výrobek pečlivě vybalte a dejte pozor, abyste nevyhodili žádnou část obalového materiálu dříve, než najdete všechny součásti výrobku.
- ✿ Výrobek uchovávejte na suchém místě mimo dosah dětí.
- ✿ Čtěte všechna upozornění a pokyny. Zanedbání při dodržování varovných upozornění a pokynů mohou mít za následek úraz elektrickým proudem, požár a/nebo těžká poranění.

## Obal

Výrobek je umístěn v obalu bránícím poškozením při transportu. Tento obal je surovinou a lze jej proto odevzdat k recyklaci.

## Návod k použití

Než začnete se strojem pracovat, přečtěte si následující bezpečnostní předpisy a pokyny k používání. Seznamte se s obslužnými prvky a správným používáním zařízení. Návod pečlivě uschovejte pro případ pozdější potřeby. Minimálně po dobu záruky doporučujeme uschovat originální obal včetně vnitřního balicího materiálu, pokladní doklad a záruční list. V případě přepravy zabalte stroj zpět do originální krabice od výrobce, zajistíte si tak maximální ochranu výrobku při případném transportu (např. stěhování nebo odeslání do servisního střediska).

 **Poznámka:** Předáváte-li stroj dalším osobám, předejte jej společně s návodem.

Dodržování přiloženého návodu k obsluze je předpokladem řádného používání stroje. Návod k obsluze obsahuje rovněž pokyny pro obsluhu, údržbu a opravy.

**Výrobce nepřebírá odpovědnost za nehody nebo škody vzniklé následkem nedodržování tohoto návodu.**

## 2. VYSVĚTLENÍ ŠTÍTKŮ S POKYNY NA STROJI



Před použitím si pečlivě přečtěte návod



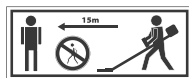
Při práci používejte ochranné pomůcky



Všeobecné upozornění na nebezpečí!



Pozor, zpětný ráz!



Udržujte ostatní osoby (zejména děti)  
a zvířata z dosahu min 15 m od pracovní  
plochy.

## 3. POKYNY K POUŽITÍ

### Bezpečnostní instrukce

#### Čtěte pozorně!

- \* Vždy noste bezpečnostní helmu, bezpečnostní rukavice, ochranný oděv (protiprořezové nohavice), ochranné rukavice a bezpečnostní obuv.
- \* Stroj uchovávejte z dosahu dětí.
- \* Nikdy nepracujte s motorem, pokud je v palivové nádrži pouze benzín.
- \* Nikdy neplňte pohonné hmoty, pokud motor běží nebo je ještě horký. Motor doplňujte, pouze pokud je motor studený.
- \* Pohonné hmoty skladujte v uzavřeném obalu na suchém a chladném místě.
- \* Dodržujte bezpečnostní předpisy.
- \* Před každým použitím přezkontrolujte pracovní prostor. Odstraňte předměty, které by se mohli odmrštit nebo zaklínit do stroje.
- \* Při práci musí být všechny osoby z dosahu v okruhu minimálně 15 metrů.
- \* Nikdy nepoužívejte stroj bez nasazeného ochranného krytu (řezacího nože).
- \* Nikdy nenaplňujte palivovou nádrž, aby byla úplně plná.
- \* Uzávěr palivové nádrže musí být pevně dotažen, aby se zamezilo přetečení pohonné hmoty.
- \* Nenechte běžet stroj na plný plyn, pokud je palivová nádrž prázdná. Nikdy stroj nevypínejte náhle, pokud běží na plný plyn.
- \* Pokud je stroj jakkoli poškozen, nepoužívejte jej. Kontaktujte kvalifikovaný servis.
- \* Při přenášení uchopte zařízení celé, nošení za palivovou nádrž je nebezpečné, může dojít k poškození palivové nádrže a požáru.
- \* Křovinořez vždy držte oběma rukama.
- \* Horký křovinořez nikdy nepokládejte do suché trávy.
- \* Při práci se strojem je zakázáno kouřit.

### Bezpečnostní instrukce

#### Palivo

- \* Během přepravy křovinořezu musí být palivová nádrž prázdná.
- \* Pohonné hmoty přepravujte pouze ve schválených kanystrech.
- \* Pravidelně kontrolujte víčko palivové nádrže. Musí být dotažené a nesmí docházet k úniku palivové hmoty.
- \* Chraňte životní prostředí: dávejte pozor, aby nedošlo k úniku palivových hmot a kontaminaci půdy.
- \* Stroj startujte minimálně 3 metry od místa, kde jste doplňovali palivo.
- \* Palivo nikdy nedoplňujte v uzavřených místnostech. V místnosti musí být zajištěno dostatečné větrání, nebezpečí výbuchu.
- \* Výpary z paliva nevdechujte. Palivo doplňujte v ochranných rukavicích.
- \* Ochranné oblečení pravidelně měňte a čistěte.

## Bezpečnostní instrukce

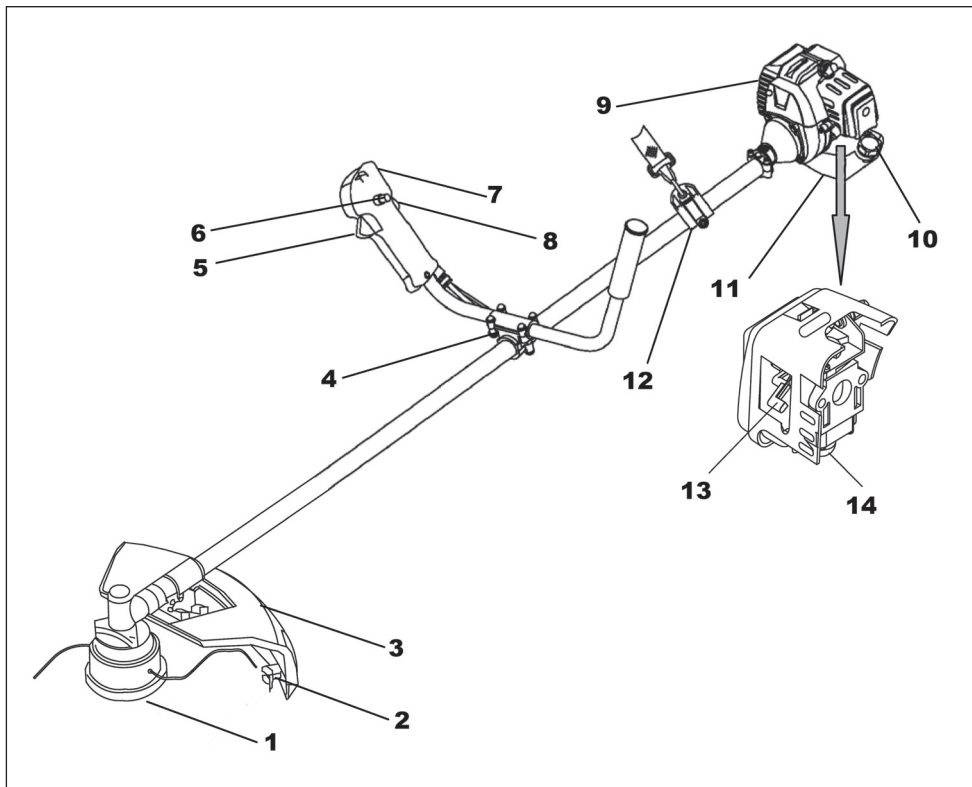
### Řezací nástroje

- \* Pokud montujete řezací nástroj, zkontrolujte stav nože. Pokud je poškozen (prasklý, ohlý, ulomený apod.), vyměňte jej.
- \* Po instalaci nože překontrolujte, zda je díra nože v rovině s ramenem unašeče nože.
- \* Roztočte nůž, překontrolujte, zda nůž nemá tendenci otáčet se nepravidelně.
- \* Překontrolujte, zda montujete nůž s ostřím po směru rotace. Nikdy jej nemontujte obráceně.
- \* Překontrolujte, zda byl řezací nástroj správně smontován, a to otočením bez zátěže (stačí 1 minuta).
- \* Nůž musí být vhodně vybrán pro daný řezací materiál.
- \* Nikdy netlačte nůž na předměty během provozu. Předměty musí být řezány mírnou rychlostí.
- \* Pokud během provozu uslyšíte neobvyklý zvuk nebo se stroj neobvykle třese, ukončete práci a zjistěte příčinu.
- \* Nezastavujte stroj, pokud je nůž v řezaném objektu. Hrozí nebezpečí úrazu a poškození stroje. Řezací nástroj musí být opatřen příslušným krytem.

**⚠ POZOR!** Při nedodržení instrukcí hrozí nebezpečí vážného až smrtelného zranění osob!

- \* Seznamte všechny osoby pracující s tímto strojem s obsluhou stroje a bezpečnostními instrukcemi.

## 4. POPIS STROJE



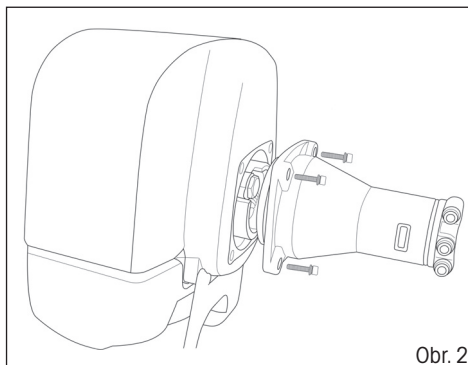
- |                                   |                              |
|-----------------------------------|------------------------------|
| 1. Poloautomatická strunová hlava | 9. Motor                     |
| 2. Nůž pro zaříznutí struny       | 10. Víčko palivové nádrže    |
| 3. Ochranný plastový kryt         | 11. Palivová nádrž           |
| 4. Úchyt madel                    | 12. Závěs ramenního popruhu  |
| 5. Páčka ovládání plynu           | 13. Páčka ovládání sytiče    |
| 6. Arežace polovičního plynu      | 14. Pumpička nástřiku paliva |
| 7. Vypínač                        |                              |
| 8. Bezpečnostní pojistka plynu    |                              |

### Obsah balení:

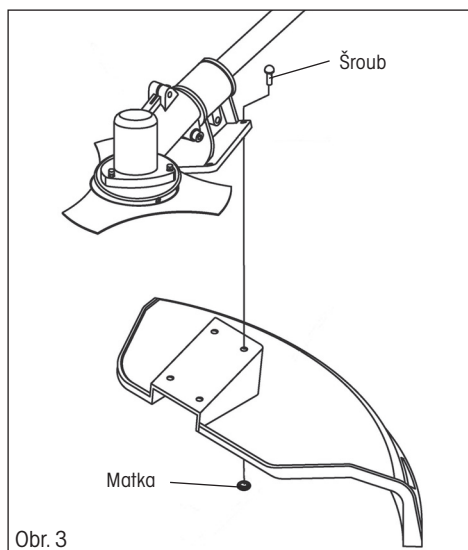
Strunová hlava, ocelový trojzubec, ramenní popruh, kalibrovaná nádoba na míchání palivové směsi, náhradní zapalovací svíčka, šestihranný klíč 4mm, šestihranný klíč 5mm, 4x šestihranný šroub 5mm, 4x šestihranný šroub 4 mm s matkou (namontovány v úchytu plastového krytu), 2x fixační páska, šroubovák, stranový klíč 8/10, frubkový klíč s křížovým šroubovákem.

## 5. SESTAVENÍ

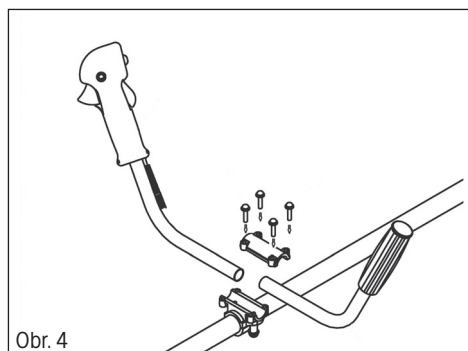
- ✿ Pomocí čtyř přiložených šroubů připevněte motor křovinořezu ke hřídeli (viz obr. 2).
- ✿ Namontujte ochranný kryt na hřídel pomocí přiložených šroubů a matek (viz obr. 3)
- ✿ Namontujte rukojeť do držáku (viz obr. 4) Rukojeť je možné po hřídeli posouvat. Každý tak může zvolit ideální pozici pro pohodlnou práci. Po zvolení ideální pracovní polohy dotáhněte šrouby. Přívodní kabel zajistěte k hřídeli pomocí přiložených stahovacích pásek.



Obr. 2



Obr. 3

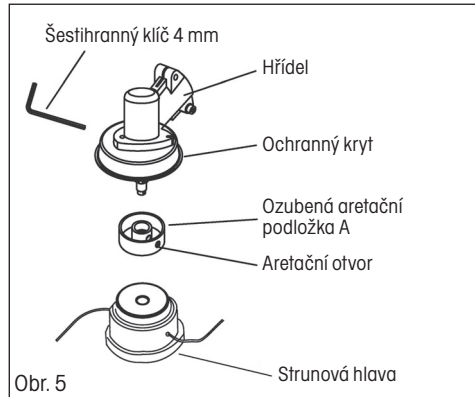


Obr. 4



### Montáž strunové hlavy

- ☛ Zablokujte hřídel přiloženým šestihranným klíčem 4mm (viz obr. 5). Za tímto účelem je nutné srovnat otvor v ochranném krytu s otvorem v hřídeli a zasunout šestihranný klíč. Srovnání otvorů docílíte otáčením ochranného krytu.
- ☛ Jednotlivé díly namontujte v tomto pořadí:
  1. ozubená aretační podložka A (také opatřena otvorem pro aretaci)
  2. strunová hlava
- ☛ Strunovou hlavu našroubujte na hřídel otáčením proti směru pohybu hodinových ručiček (pozor obrácený závit) a řádně ji utáhněte.
- ☛ Vyjměte šestihranný klíč z aretačního otvoru.



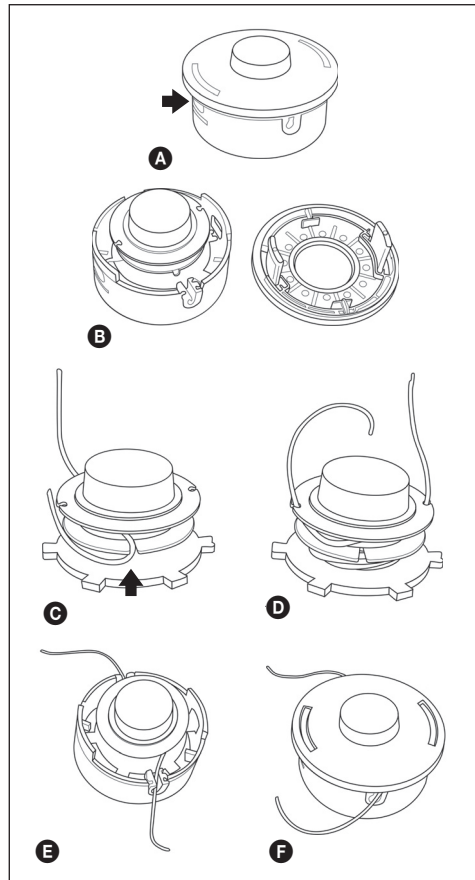
Obr. 5

### Doplnění struny do strunové hlavy

1. Na boku hlavy stačte aretační západky krytu a kryt sejměte (viz obr. A a B)
2. Vyjměte cívku ze strunové hlavy. Připravte si cca 2-3 m struny o průměru 2,4 mm.
3. Strunu v polovině přehněte a ohyb zajistěte v drážce (viz obr. C)
4. Oba konce poté souběžně namotejte na cívku a to ve směru hodinových ručiček. Konce namotané struny zajistěte do připravených otvorů (viz obr. D)
5. Cívku umístěte zpět do strunové hlavy a zajistěte ji krytem (viz obr. E a F)

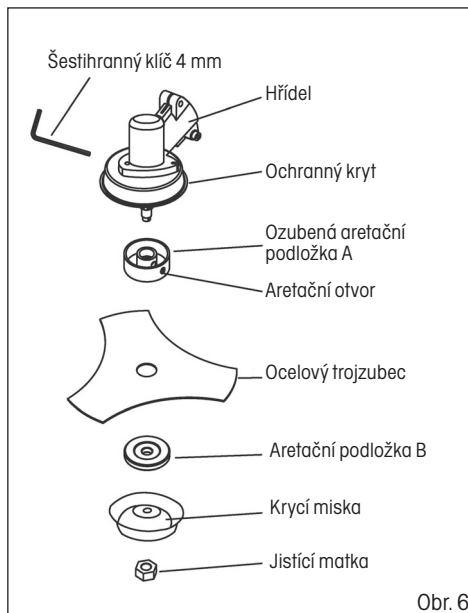
### ⚠ VAROVÁNÍ!

Používejte pouze kvalitní nylonovou strunu s průměrem 2,4 mm. Nikdy místo nylonové struny nepoužívejte drát nebo strunu vyztuženou drátem. Používejte pouze originální strunovou hlavu.



### Montáž ocelového trojzubce

- ✿ Zablokujte hřídel příloženým šestihranným klíčem 4mm (viz obr. 6). Za tímto účelem je nutné srovnat otvor v ochranném krytu s otvorem v hřídeli a zasunout šestihranný klíč. Srovnání otvorů docílíte otáčením ochranného krytu.
- ✿ Jednotlivé díly namontujte v tomto pořadí:
  1. Ozubená aretační podložka A (také opatřena otvorem pro aretaci)
  2. ocelový trojzubec
  3. aretační podložka B
  4. krycí miska
  5. jistící matka
- ✿ Ujistěte se, že nůž dosedá správně do vymezení části ozubené aretační podložky A
- ✿ Pomocí příloženého nástrčného klíče otáčejte upevňovací maticí nože proti směru pohybu hodinových ručiček (pozor obrácený závit), dokud nedosáhnete bezpečného utažení.
- ✿ Vyměňte šestihranný klíč z aretačního otvoru.



### ⚠ VAROVÁNÍ!

DOJDE-LI K NADMĚRNÝM VIBRAČÍM – OKAMŽITĚ ZASTAVTE MOTOR

Nadměrné vibrace nože znamenají, že tento nůž není správně namontován. Okamžitě zastavte motor a zkontrolujte nůž.

Nesprávně namontovaný nůž může způsobit zranění.

Při provádění údržby a servisu tohoto výrobku používejte pouze originální příslušenství.

## 6. PŘÍPRAVA PALIVOVÉ SMĚSI

### ⚠ VAROVÁNÍ!

- ✿ Nikdy nedoplňujte palivo do palivové nádrže na uzavřeném a nevětraném místě.
- ✿ Nedoplňujte palivo v blízkosti otevřeného plamene nebo zdroje jiskření.
- ✿ Nádrž nepřelíjte. Před nastartováním motoru zajistěte, aby byly seřizeny všechny zbytky rozlitého paliva.
- ✿ Je-li motor horký, NEDOPLŇUJTE PALIVO.

- ✿ **Pro tento typ dvoutaktního motoru je používán mix bezolovnatého benzínu s olejem pro dvoutaktní motory v poměru 25 : 1.**

⚠ **POZOR!** Palivová směs namíchaná v jiném poměru než 25 : 1 může způsobit poškození motoru. Ujistěte se, zda je tato směs namíchaná správně.

- ✿ Při míchání benzínu s motorovým olejem pro dvoudobé motory používejte pouze benzín, který neobsahuje ŽÁDNÝ ETANOL nebo METANOL (typy alkoholu).
- ✿ Používejte kvalitní benzín s oktanovým číslem 95 nebo vyšším. Takto pomůžete zabránit možnému poškození palivového systému a jiných částí motoru.  
Pro namíchání palivové směsi doporučujeme použít kalibrovanou nádobu přiloženou v balení křovinořezu. NEPROVÁDĚJTE MÍCHÁNÍ BENZÍNU A OLEJE PŘÍMO V PALIVOVÉ NÁDRŽI.

### Skladování paliva

Skladujte palivo pouze v čistém, bezpečném a schváleném kanystru. Nastudujte si a dodržujte místní předpisy týkající se typu a umístění kanystrů s palivem.

#### **⚠ DŮLEŽITÉ**

Palivo pro dvoudobé motory se může separovat. Před každým použitím každý kanistr s palivem řádně protřepejte.  
Skladované palivo stárne. Nemíchejte si více paliva, než předpokládáte, že spotřebujete do jednoho měsíce.

## 7. PŘÍPRAVA NA POUŽITÍ

#### **⚠ DŮLEŽITÉ:**

Dbejte pokynů pro přípravu palivové směsi! Nedodržení pokynů může vést k poškození motoru! Nepoužívejte palivo, které bylo skladováno déle než dva měsíce. Palivová směs skladovaná déle než dva měsíce způsobí problémy při startování a nižší výkon motoru. Bude-li palivová směs skladována déle než dva měsíce, měla by být odstraněna a musí být použito nové palivo.

#### **Kontrolované body před zahájením práce**

1. Zkontrolujte, zda nedošlo k uvolnění šroubů, matic a montážních prvků. Uvolněné šrouby dotáhněte.
2. Zkontrolujte, zda není znečištěn vzduchový filtr. Před zahájením práce odstraňte ze vzduchového filtru všechny nečistoty.
3. Ujistěte se, zda je plastový chránič hlavy či nože řádně upevněn na svém místě.
4. Ujistěte se, zda nedochází k únikům z palivové nádrže.
5. Ujistěte se, zda nedošlo k poškození nože či strunové hlavy.

## 8. SPUŠTĚNÍ KŘOVINOŘEZU

#### **⚠ VAROVÁNÍ!**

- ✿ Před nastartováním motoru se ujistěte, že se řezný kotouč/strunová hlava volně pohybuje a nedotýká se žádného cizího předmětu.
- ✿ Při minimálních otáčkách motoru se řezací nástroj nesmí otáčet. V opačném případě kontaktujte autorizované servisní středisko, aby provedlo kontrolu a problém odstranilo.
- ✿ Před nastartováním motoru se ujistěte, že páčka plynu se pohybuje volně.

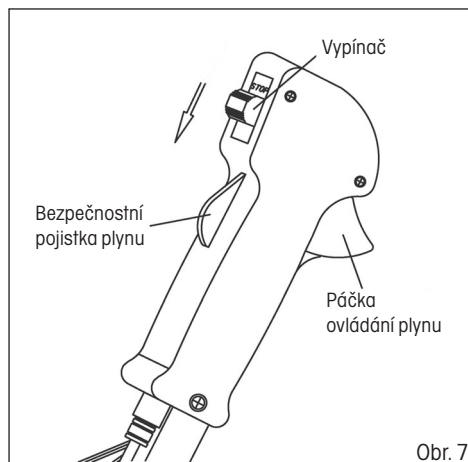
**⚠ UPOZORNĚNÍ:** Křovinořez držte pevně oběma rukama. Vždy stůjte tak, abyste měli tělo nalevo od trubky hřídele. Nikdy nadržte rukojeť zkříženýma rukama. Tyto pokyny platí i pro leváky.

**⚠ UPOZORNĚNÍ:** Vystavení vibracím může způsobit poškození zdraví osob, které trpí problémy oběhového systému nebo nervovými problémy. Pokud se projeví fyzické symptomy, jako znecitlivění, snížení citlivosti, snížení normální síly nebo změny zbarvení pokožky, obraťte se na lékaře. Tyto symptomy se obvykle projevují na prstech, rukou nebo zápěstí.

## POSTUPY PRO STARTOVÁNÍ A ZASTAVENÍ MOTORU

### Startování studeného motoru

1. Nastavte vypínač do polohy „START“. (viz obr. 7)
2. Opakovaně stlačujte pumpičku nástříku paliva (5 až 10 stisknutí), dokud se palivo nedostane do karburátoru. (viz obr. 8)
3. Páčku sytiče přepněte směrem nahoru do polohy „OFF“ (=vypnutý přívod vzduchu, tzn. zapnutý sytič). (viz obr. 8)
4. Křovinořez opřete o zem, aby byl stabilní a tahejte za rukojeť startovací šňůry, dokud nedojde k protočení motoru (motor projeví snahu nastartovat).
5. V tomto okamžiku stlačte páčku sytiče dolů do polohy „ON“ (= otevřený přívod vzduchu, tzn. vypnutý sytič) a opětovným taháním za startovací šňůru motor nastartujte.



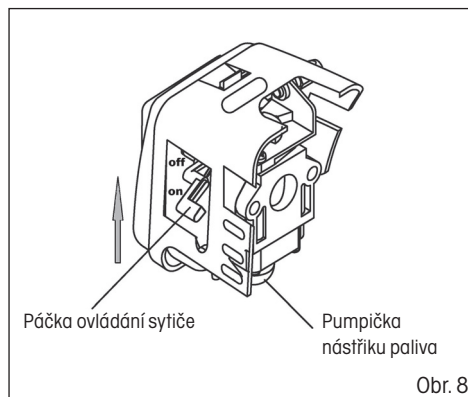
Obr. 7

**⚠ POZOR!** Příliš dlouhé protáčení motoru s páčkou sytiče v poloze OFF způsobí přepálení motoru a problémy s jeho startováním.

6. Před zahájením práce nechejte motor několik minut zahřívát na provozní teplotu.

### Startování zahřátého motoru

1. Nastavte vypínač do polohy „START“.
2. Tahejte za rukojeť startovací šňůry, dokud nedojde k nastartování motoru. **NEPOUŽÍVEJTE SYTIČ!**



Obr. 8

**⚠ POZOR!** Došlo-li k úplnému spotřebování paliva v palivové nádrži, po doplnění paliva zopakujte kroky pro **STARTOVÁNÍ STUDENÉHO MOTORU**.

### Regulace otáček strunové hlavy / ocelového trojzubce

- ✿ Pro zvýšení otáček stiskněte nejdříve dlaní bezpečnostní pojistku plynu a poté palcem stlačte páčku ovládaní plynu (viz obr. 7)
- ✿ Páčku plynu lze aretovat pomocí aretace půplynu (obr. 1, bod 6)
- ✿ Pro snížení otáček uvolněte páčku ovládaní plynu

### Zastavení motoru

- ✿ Přepněte vypínač do polohy STOP.

### ⚠ VAROVÁNÍ!

Výfukové plyny motoru obsahují chemické látky, které jsou zdraví škodlivé. Nikdy tyto plyny nevdechujte. Křovinořez vždy startujte mimo budovu.

## 9. SEČENÍ

### ⚠ VAROVÁNÍ!

Při práci se všemi modely strunových sekaček nebo křovinořezů může dojít k odmrštění kamenů, kovových nebo malých předmětů a také sekaného materiálu. Pečlivě si přečtěte všechny předpisy týkající se bezpečnosti.

Dodržujte pokyny uvedené v tomto návodu k obsluze.

### ⚠ VAROVÁNÍ!

Používejte ochranu hlavy, zraku, tváře a sluchu. Používejte vhodnou obuv, která bude chránit vaše nohy a která zajistí pevný postoj na kluzkém povrchu. Nenoste kravaty, šperky nebo volné části oděvu, které by mohly být zachyceny pohybujícími se díly nářadí. Nenoste obuv s otevřenou špičkou. Nepracujte bosí nebo máte-li holé nohy. V určitých situacích musíte používat úplnou ochranu obličeje a hlavy.

Dávejte pozor, aby nedošlo k zpětnému rázu a k zaseknutí nože.

### ⚠ VAROVÁNÍ

Vždy používejte ramenní popruh.

Nastavte popruh a příchytku popruhu na nářadí tak, aby byla sekačka zavěšena několik centimetrů nad povrchem terénu. Hlava sekačky a kovový kryt musí být v každém směru zcela srovnány. Zavěste křovinořez na pravou část těla.

### ⚠ NEBEZPEČNÁ ZÓNA

DO NEBEZPEČNÉ ZÓNY S POLOMĚREM 15 METRŮ NESMÍ MIMO OBSLUHY VSTOUPIT ŽÁDNÉ OSOBY. OBSLUHA MUSÍ POUŽÍVAT VHDNOU OCHRANU ZRAKU, SLUCHU, TVÁŘE, CHODIDEL, NOHOU A TĚLA. OSOBY NACHÁZEJÍCÍ SE V NEBEZPEČNÉ ZÓNĚ NEBO V RIZIKOVÉ ZÓNĚ ZA NEBEZPEČNOU ZÓNOU MUSÍ POUŽÍVAT OCHRANU ZRAKU CHRÁNICÍ PŘED ODMRŠTĚNÝMI PŘEDMĚTY. RIZIKO SE SNIŽUJE S ROSTOUCÍ VZDÁLENOSTÍ OD NEBEZPEČNÉ ZÓNY.

## SEKÁNÍ POMOCÍ HLAVY S NYLONOVOU STRUNOU

- ☼ Hlava se strunou se otáčí VE SMĚRU POHYBU HODINOVÝCH RUČÍČEK.
- ☼ **Posun struny je prováděn poloautomaticky. Při sečení pouze jemně poklepejte hlavou o povrch země, tím dojde k stlačení tlačítka na spodní straně hlavy a povjetí struny. Struna je poté do maximální přípustné délky zkrácena o nůž integrovaný v plastovém krytu.**

### Zastříhování trávy

- ☼ Při této činnosti opatrně posunujte sekačku do materiálu, který chcete sekat. Pomalu nakloňte hlavu tak, aby byl posekaný materiál odhazován směrem od vás. Provádíte-li sekání až k překážkám, jako jsou ploty, stěny a stromy, přibližujte se ve takovém úhlu, aby se všechen odražený materiál pohyboval směrem od vás. Pomalu pohybujte hlavou s nylonovou strunou zprava doleva, dokud nebude tráva posekaná až k překážce, ale zabraňte tomu, aby se struna dostala do kontaktu s překážkou.
- ☼ Při sekání v blízkosti drátěného plotu nebo ohrady opatrně postupujte tak, abyste se nedostali do kontaktu s dráty. Překročíte-li minimální vzdálenost od plotu, struna se po nárazu do drátu zkrátí.
- ☼ Při sekání plevelů může být prováděno sekání jednoho stonku po druhém. Umístěte hlavu sekačky se strunou k spodní části plevelu - nikdy k horní části, protože by mohlo dojít k rozřesení stonku a zachycení struny. Spíše než používat přímé přesekání plevelů, použijte raději pouze konec struny a přesekejte stonky pomalu.

### Osekávání a sekání okrajů

- ☼ Obě z těchto činností jsou prováděny s hlavou s nylonovou strunou nakloněnou ve velkém úhlu. Osekávání je odstraňování horního porostu, po kterém zůstane pouze holá zem.
- ☼ Sekání okrajů je sekání trávy na okrajích záhonů, která přesahuje do chodníků a cest.
- ☼ Během osekávání i sekání okrajů držte nářadí v příkrém úhlu a v poloze, kdy nebudou nečistoty, posekaný materiál a kamínky odhazovány dozadu směrem na vás, dojde-li k jejich odražení od tvrdého povrchu. I když je na obrázcích zobrazeno, jak provádět osekávání i sekání okrajů, každý uživatel si musí najít takovou polohu, která bude vyhovovat jeho tělesným proporcím a pracovním podmínkám.

### ⚠ VAROVÁNÍ

Je-li použita hlava s nylonovou strunou, na nářadí musí být použit správný ochranný kryt. Je-li nylonová struna vysunuta příliš, může docházet k jejímu třepetání. Používáte-li hlavy s nylonovou strunou, vždy použijte plastový ochranný kryt se zkracovacím nožem.

### ⚠ VAROVÁNÍ

Při práci prováděné nad holou plochou nebo nad štěrkem buďte velmi opatrní, protože nylonová struna může vysokou rychlostí odmrštit malé kamínky.

Ochranný kryt na tomto nářadí nemůže zastavit předměty, které se odrazí od tvrdých povrchů.


### ⚠ VAROVÁNÍ

Neprovádějte sekání na místech, kde se nachází dráty a drátěné pletivo. Používejte bezpečnostní ochranné prvky. Neprovádějte sekání na místech, kde nemůžete vidět, co bude sekačka sekat.

## SEKÁNÍ POMOCÍ NOŽE

### Kosení plevelů

- ✿ Jedná se o sekání kývavým pohybem nože prováděné v oblouku. Tímto způsobem můžete rychle vyčistit plochy zarostlé travinami a plevelem. Kosení by nemělo být používáno při sekání velkých a odolných plevelů nebo dřevitých porostů.
- ✿ Kosení může být prováděno v obou směrech nebo pouze v jednom směru, což bude znamenat, že posekaný materiál bude odhazován směrem od vás. Při tomto sekání bude pracovat ta část nože, která se otáčí směrem od vás. Nakloňte nůž mírně dolů na stejnou stranu. Budete-li provádět kosení v obou směrech, budete zasaženi některými nečistotami.

 **Poznámka:** Nepoužívejte nůž na křoviny pro sekání stromků s průměrem, který je větší než 12 mm.

### VAROVÁNÍ

NEDOTÝKEJTE SE NOŽEM PŘEDMĚTŮ TOHOTO TYPU:  
KOVOVÉ SLOUPKY, ELEKTRICKÉ DRÁTY, GUMA, ZDIVO, KAMENY, PLOTY

### VAROVÁNÍ

Neprovádějte sekání, je-li ocelový nůž tupý, prasklý nebo poškozený.

Před zahájením sekání proveďte kontrolu, zda se na pracovní ploše nenachází žádné překážky, jako jsou kameny, kovové sloupky nebo stočené dráty. Nemůžete-li tyto překážky odstranit, označte je tak, aby nedošlo k jejich kontaktu s nožem. Kameny nebo kovové předměty způsobí otupení nebo poškození nože. Dráty se mohou namotat na nožovou hlavu nebo mohou být odmrštěny a mohou způsobit zranění.

# 10. ÚDRŽBA A USKLADNĚNÍ

## Údržba stroje

- ✿ Před každým použitím:
  - Překontrolujte dotažení všech šroubů a matic.
  - Překontrolujte, zda nevytéká z palivové nádrže pohonná hmota.
  - Převodovku promažte mazivem.
- ✿ Po každých 20 hodinách provozu (Za tímto účelem doporučujeme kontaktovat autorizované servisní středisko.):
  - Vyčistěte vzduchový filtr.
  - Vyčistěte filtr paliva.
- ✿ Po každých 50 hodinách provozu (Za tímto účelem doporučujeme kontaktovat autorizované servisní středisko.):
  - Vyčistěte zapalovací svíčku a seřídte mezeru mezi elektrodami na vzdálenost 0,6–0,7 mm.
  - Vyčistěte usazeniny z výfuku a tlumiče výfuku.
  - Hřídel znovu odmontujte a promažte kvalitním mazivem.
- ✿ Překontrolujte montáž po provedení údržby a překontrolujte dotažení všech šroubů a matic.

## Servis

- ✿ V případě, že po zakoupení výrobku zjistíte jakoukoli závadu, kontaktujte servisní oddělení. Při použití výrobku se řiďte pokyny uvedenými v přiloženém návodu k použití.
- ✿ Na reklamaci nebude brán zřetel, pokud jste výrobek pozměnili či jste se neřídili pokyny uvedenými v návodu k použití.

## Záruka se nevztahuje:

- ✿ Na přirozené opotřebení funkčních částí stroje v důsledku jeho používání
- ✿ Na servisní zásahy související se standardní údržbou stroje (např. čištění, mazání, seřízení apod.)
- ✿ Na závady způsobené vnějšími vlivy (např. klimatickými podmínkami, prašností, nevhodným použitím apod.)
- ✿ Na mechanická poškození v důsledku pádu stroje, nárazu, úderu do něj apod.
- ✿ Na škody vzniklé neodborným zacházením, přetížením, použitím nesprávných dílů, nevhodných nástrojů apod. U reklamovaných výrobků, které nebyly řádně zabezpečeny proti mechanickému poškození při přepravě nese riziko případné škody výhradně majitel.

## Uskladnění

- ⚠ **POZOR!** Pokud stroj delší dobu nepoužíváte, přístroj uskladněte dle následujících pokynů. Prodloužte tak životnost stroje.
- ✿ Kompletně vylijte palivo z palivové nádrže a karburátoru. Zavřete sytič a 3 až 5krát potáhněte startér.
- ✿ Vyšroubujte zapalovací svíčku a nalijte do otvoru malé množství motorového oleje. Jemně potáhněte 2 až 3krát startér.
- ✿ Čistým hadrem vyčistěte vnější plochy. Stroj uskladněte na čistém a suchém místě.



## 11. CO DĚLAT „KDYŽ“...

Motor nespustuje	Možná příčina	Odstranění
1. Zkontrolujte palivo.	V karburátoru nebo v nádrži není palivo.	Doplňte palivo.
	Palivo obsahuje vodu.	
	Nesprávný poměr směsi pohonné hmoty.	Vypusťte palivovou nádrž a karburátor. Naplňte nádrž novým palivem.
2. Vyjměte a zkontrolujte zapalovací svíčku.	Vadná nebo znečištěná svíčka.	Vyměňte zapalovací svíčku
	Nesprávná mezera mezi elektrodami.	
	Zapalovací svíčka je vlhká, zasažená benzínem (zahlcený motor).	Vysušte a opět namontujte zapalovací svíčku.
3. Zavezte motor do kvalifikovaného servisu, nebo k prodejci.	Ucpaný palivový filtr, porucha karburátoru, porucha zapalování, ucpané ventily apod.	Vyměňte nebo opravte vadné díly.

Nedostatečně funkční motor	Příčina poruchy	Oprava
1. Zkontrolujte vzduchový filtr.	Znečištění vzduchového filtru.	Vyčistěte nebo vyměňte vložku vzduchového filtru.
2. Zkontrolujte palivo.	Palivo obsahuje vodu.	Vypusťte palivovou nádrž a karburátor. Naplňte nádrž novým palivem.
	Nesprávný poměr směsi pohonné hmoty.	
3. Zkontrolujte nastavení sytiče a ovládání plynu.	Sytič nebyl úplně otevřen.	Upravte nastavení.
	Špatně seřazené plynové lanko.	
4. Zavezte motor do kvalifikovaného servisu, nebo k prodejci.	Ucpaný palivový filtr, porucha karburátoru, porucha zapalování, ucpané ventily apod.	Vyměňte nebo opravte vadné díly.

<b>Motor nastartuje a hned zhasne</b>	<b>Možná příčina</b>	<b>Odstranění</b>
1. Zkontrolujte palivo.	Došlo palivo.	Doplňte palivo.
	Palivo obsahuje vodu.	Vypusťte palivovou nádrž a karburátor. Naplňte nádrž novým palivem.
	Nesprávný poměr směsi pohonné hmoty.	
2. Vyměňte a zkontrolujte zapalovací svíčku.	Vadná nebo znečištěná svíčka.	Vyměňte zapalovací svíčku.
	Nesprávná mezera mezi elektrodami.	
3. Zkontrolujte vzduchový filtr.	Znečištěný vzduchový filtr. Ucpaný vzduchový filtr.	Vyčistěte nebo vyměňte vložku vzduchového filtru.
4. Zavezte motor do kvalifikovaného servisu, nebo k prodejci.	Ucpaný odvodušňovací ventil.	Vyměňte nebo opravte vadné díly.
	Ucpaný palivový filtr porucha karburátoru, porucha zapalování, ucpané ventily apod.	

## 12. LIKVIDACE

### **POKYNY A INFORMACE O NAKLÁDÁNÍ S POUŽITÝM OBALEM**

Použitý obalový materiál odložte na místo určené obcí k ukládání odpadu.



Stroj a jeho příslušenství jsou vyrobeny z různých materiálů, např. z kovu a plastů. Poškozené součástky odevzdejte do tříděného sběru. Informujte se u příslušného úřadu.



Tento výrobek splňuje veškeré základní požadavky směrnic EU, které se na něj vztahují.

Změny v textu, designu a technických specifikacích se mohou měnit bez předchozího upozornění a vyhrazujeme si právo na jejich změnu.

Návod k použití v originálním jazyce.

# 13. PROHLÁŠENÍ O SHODĚ

# FAST<sup>®</sup>

FAST ČR, a. s.  
Černokostecká 1621, 251 01 Říčany, Česká republika  
tel.: +420 323 204 111, fax: +420 323 204 110

## PROHLÁŠENÍ O SHODĚ

**Výrobce:**

FAST ČR, a. s.  
Černokostecká 2111, 100 00 Praha 10, Česká republika  
DIČ: CZ26726548

**Produkt/značka:** BENZÍNOVÝ KŘOVINOŘEZ A STRUNOVÁ SEKAČKA/ FIELDMANN

**Typ/model:** FZS 3003-B

**Parametry motoru:** 25,4 ccm; 0,7 kW/6 500 ot/min; max. 8 500 ot/min

**Toto prohlášení o shodě je vydáno na výhradní odpovědnost výrobce.**

**Výše uvedený předmět tohoto prohlášení vyhovuje příslušným harmonizačním právním předpisům Unie:**

Směrnice 2012/46/EU  
Směrnice o strojních zařízeních 2006/42/ES  
Směrnice EMC 2014/30/EU

**Příslušené harmonizované normy a ostatní technické specifikace:**

EN ISO 11806-1:2011  
EN ISO 14982:2009



**Místo vydání:** Praha

**Jméno:** Ing. Zdeněk Pech  
Předseda představenstva

**Datum vydání:** 1. 4. 2017

**Podpis:**

**FAST<sup>®</sup>** FAST ČR, a. s.  
Černokostecká 1621, 251 01 Říčany  
IČO: 26726548 tel.: +420/ 323 204 111  
DIČ: CZ26726548 fax: +420/ 323 204 110



IČ: 26 72 65 48, DIČ: CZ-26 72 65 48

**Banka:** Komerční banka Praha 1, č. ú. 89309011/0100, Česká spořitelna Praha 4, č. ú. 2375682/0800,  
ČSOB Praha 1, č. ú. 8010-0116233383/0300

## 14. TECHNICKÉ ÚDAJE

Model.....	FZS 3003 B
Objem válce.....	25,4 cm <sup>3</sup>
Maximální výkon motoru.....	0,70 kW
Délka hřídele.....	1500 mm
Typ motoru.....	2taktní chlazený vzduchem
Doporučené maximální otáčky bez zatížení.....	8500 ot/min
Průměr struny.....	2,4 mm
Zapalovací svíčka.....	L6 (LD)
Objem palivové nádrže.....	800 ml
Poměr palivové směsi (olej pro 2taktní motory/Natural 95).....	1:25
Hmotnost bez paliva a žacíh nástrojů.....	6,6 kg
Hladina akustického výkonu, zaručená LWA.....	112 dB(A)
Hladina akustického tlaku, maximální LPAav.....	94,5 dB (A)
Úroveň vibrací - strunová hlava, levé madlo.....	8,9 m/s <sup>2</sup>
Úroveň vibrací - strunová hlava, pravé madlo.....	9,8 m/s <sup>2</sup>
Úroveň vibrací - trojzubec, levé madlo.....	4,5 m/s <sup>2</sup>
Úroveň vibrací - trojzubec, pravé madlo.....	3,7 m/s <sup>2</sup>
Odchylka.....	K=1,5m/s <sup>2</sup>



# Benzínový krovinořez

## NÁVOD NA OBSLUHU

**Ďakujeme vám, že ste si kúpili tento benzínový krovinořez. Skôr ako ho začnete používať, prečítajte si, prosím, pozorne tento návod na obsluhu a uschovajte ho na prípad ďalšieho použitia.**

## OBSAH

1. VŠEOBECNÉ BEZPEČNOSTNÉ PREDPISY.....	49
Dôležité bezpečnostné upozornenia .....	49
Obal .....	49
Návod na použitie.....	49
2. VYSVETLENIE ŠTÍTKOV S POKYNNI NA STROJI.....	50
3. POKYNY NA POUŽITIE .....	51
Bezpečnostné inštrukcie .....	51
Bezpečnostné inštrukcie – palivo.....	51
Bezpečnostné inštrukcie – rezacie nástroje .....	52
4. POPIS STROJA .....	53
Obsah balenia .....	53
5. ZOSTAVENIE .....	54
Montáž strunovej hlavy .....	55
Doplnenie struny do strunovej hlavy .....	55
Montáž oceľového trojzubca.....	56
6. PRÍPRAVA PALIVOVEJ ZMESI.....	56
Skladovanie paliva .....	57
7. PRÍPRAVA NA POUŽITIE .....	57
Kontrolované body pred začatím práce.....	57
8. SPUSTENIE KROVINOREZU.....	57
Postupy na štartovanie a zastavenie motora.....	58
Štartovanie studeného motora .....	58
Štartovanie zahriateho motora.....	58
Regulácia otáčok strunovej hlavy/oceľového trojzubca.....	59
Zastavenie motora .....	59
9. KOSENIE .....	59
Kosenie pomocou hlavy s nylonovou strunou .....	60
Zastrihávanie trávy .....	60
Osekávanie a kosenie okrajov .....	60
Kosenie pomocou noža.....	61
Kosenie buriny.....	61

10. ÚDRŽBA A USKLADNENIE .....	62
Údržba stroja.....	62
Servis .....	62
Záruka sa nevzťahuje: .....	62
Uskladnenie.....	62
11. ČO ROBIŤ, „KEĎ“ .....	63
12. LIKVIDÁCIA.....	65
13. VYHLÁSENIE O ZHODE .....	66
14. TECHNICKÉ ÚDAJE.....	67



# 1. VŠEOBECNÉ BEZPEČNOSTNÉ PREDPISY

## Dôležité bezpečnostné upozornenia


- ✿ Výrobok starostlivo vybalte a dajte pozor, aby ste nevyhodili žiadnu časť obalového materiálu, skôr ako nájdete všetky súčasti výrobku.
- ✿ Výrobok uchovávajte na suchom mieste mimo dosahu detí.
- ✿ Čítajte všetky upozornenia a pokyny. Zanedbanie pri dodržiavaní varovných upozornení a pokynov môže mať za následok úraz elektrickým prúdom, požiar a/alebo ťažké poranenia.

## Obal

Výrobok je umiestnený v obale brániacom poškodeniu pri transporte. Tento obal je surovinou a je preto možné ho odovzdať na recykláciu.

## Návod na použitie

Skôr ako začnete so strojom pracovať, prečítajte si nasledujúce bezpečnostné predpisy a pokyny na používanie. Oboznámte sa s obslužnými prvkami a správnym používaním zariadenia. Návod dôkladne uschovajte pre prípad neskoršej potreby. Minimálne počas záruky odporúčame uschovať originálny obal vrátane vnútorného baliaceho materiálu, pokladničný doklad a záručný list. V prípade prepravy zabalte stroj späť do originálnej škatule od výrobcu, zaistíte si tak maximálnu ochranu výrobku pri prípadnom transporte (napr. sťahovanie alebo odoslanie do servisného strediska).

 **Poznámka:** Ak odovzdávate stroj ďalším osobám, odovzdajte ho spoločne s návodom.

Dodržiavanie priloženého návodu na obsluhu je predpokladom riadneho používania stroja. Návod na obsluhu obsahuje tiež pokyny na obsluhu, údržbu a opravy.

**Výrobca nepreberá zodpovednosť za nehody alebo škody vzniknuté následkom nedodržiavania tohto návodu.**

## 2. VYSVETLENIE ŠTÍTKOV S POKYNNI NA STROJI



Pred použitím si pozorne prečítajte návod



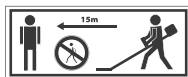
Pri práci používajte ochranné pomôcky



Všeobecné upozornenia na  
nebezpečenstvo!



Pozor, spätný ráz!



Udržujte ostatné osoby (najmä deti)  
a zvieratá z dosahu min. 15 m od  
pracovnej plochy.

## 3. POKYNY NA POUŽITIE

### Bezpečnostné inštrukcie

#### Čítajte pozorne!

- ✿ Vždy noste bezpečnostnú helmu, bezpečnostné rukavice, ochranný odev (nohavice proti prerezaniu), ochranné rukavice a bezpečnostnú obuv.
- ✿ Stroj uchovávajte z dosahu detí.
- ✿ Nikdy nepracujte s motorom, ak je v palivovej nádrži iba benzín.
- ✿ Nikdy neplňte pohonné hmoty, ak motor beží alebo je ešte horúci. Motor doplňujte, iba ak je motor studený.
- ✿ Pohonné hmoty skladujte v uzatvorenom obale na suchom a chladnom mieste.
- ✿ Dodržujte bezpečnostné predpisy.
- ✿ Pred každým použitím prekontrolujte pracovný priestor. Odstráňte predmety, ktoré by sa mohli vymrštíť alebo zakliniť do stroja.
- ✿ Pri práci musia byť všetky osoby z dosahu v okruhu minimálne 15 metrov
- ✿ Nikdy nepoužívajte stroj bez nasadeného ochranného krytu (rezacieho noža).
- ✿ Nikdy nenaplňujte palivovú nádrž, aby bola úplne plná.
- ✿ Uzáver palivovej nádrže musí byť pevne dotiahnutý, aby sa zamedzilo pretečeniu pohonnej hmoty.
- ✿ Nenechajte bežať stroj na plný plyn, ak je palivová nádrž prázdna.  
Nikdy stroj nevypínajte náhle, ak beží na plný plyn.
- ✿ Ak je stroj akokoľvek poškodený, nepoužívajte ho. Kontaktujte kvalifikovaný servis.
- ✿ Pri prenášaní uchopte zariadenie celé, nosenie za palivovú nádrž je nebezpečné, môže dôjsť k poškodeniu palivovej nádrže a požiaru.
- ✿ Krovínorez vždy držte oboma rukami.
- ✿ Horúci krovínorez nikdy nekladte do suchej trávy.
- ✿ Pri práci so strojom je zakázané fajčiť.

### Bezpečnostné inštrukcie

#### Palivo

- ✿ Počas prepravy krovínorezu musí byť palivová nádrž prázdna.
- ✿ Pohonné hmoty prepravujte iba v schválených kanistroch.
- ✿ Pravidelne kontrolujte viečko palivovej nádrže. Musí byť dotiahnuté a nesmie dochádzať k úniku palivovej hmoty
- ✿ Chráňte životné prostredie: dávajte pozor, aby nedošlo k úniku palivových hmôt a kontaminácii pôdy.
- ✿ Stroj štartujte minimálne 3 metre od miesta, kde ste doplňovali palivo.
- ✿ Palivo nikdy nedoplňujte v uzatvorených miestnostiach. V miestnosti musí byť zaistené dostatočné vetranie, nebezpečenstvo výbuchu.
- ✿ Výpary z paliva nevdychujte. Palivo doplňujte v ochranných rukavičiach.
- ✿ Ochranné oblečenie pravidelne meňte a čistite.

## Bezpečnostné inštrukcie

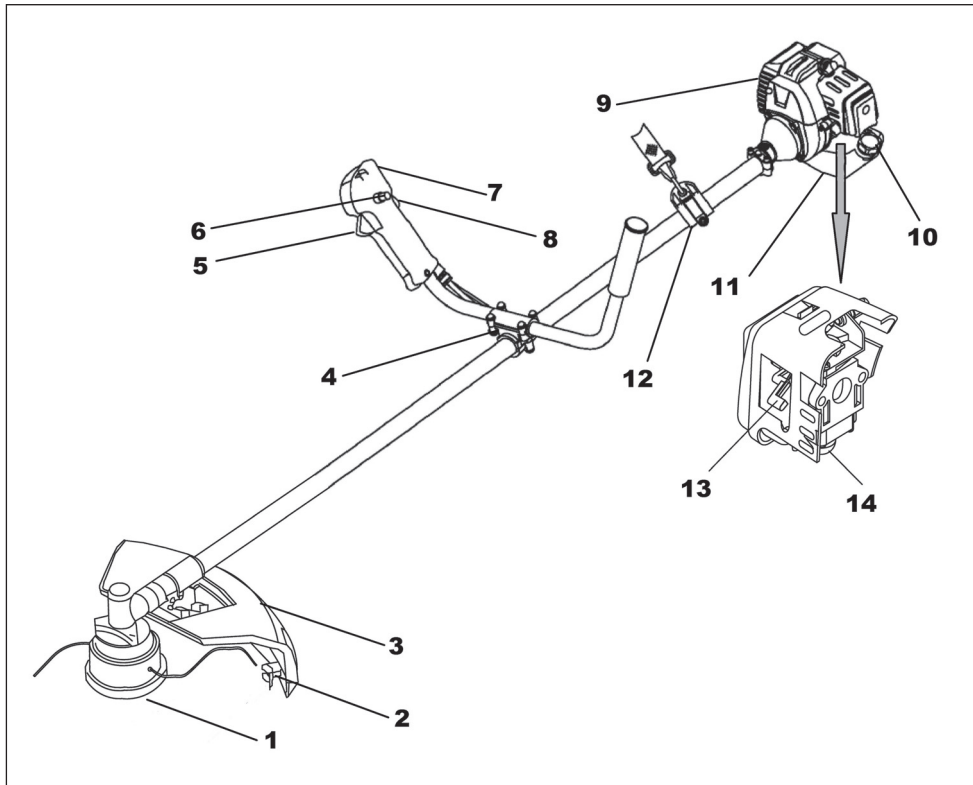
### Rezacie nástroje

- \* Ak montujete rezací nástroj, skontrolujte stav noža. Ak je poškodený (prasknutý, ohnutý, odlomený a pod.), vymeňte ho.
- \* Po inštalácii noža prekontrolujte, či je diera noža v rovine s ramenom unášača noža.
- \* Roztočte nôž, prekontrolujte, či nôž nemá tendenciu otáčať sa nepravidelne.
- \* Prekontrolujte, či montujete nôž s ostrím v smere rotácie. Nikdy ho nemontujte obrátene.
- \* Prekontrolujte, či bol rezací nástroj správne zmontovaný, a to otočením bez záťaže (stačí 1 minúta).
- \* Nôž musí byť vhodne vybraný pre daný rezací materiál.
- \* Nikdy netlačte nôž na predmety počas prevádzky. Predmety sa musia rezať miernou rýchlosťou.
- \* Ak počas prevádzky začujete neobvyklý zvuk alebo sa stroj neobvykle trasie, ukončite prácu a zistite príčinu.
- \* Nezastavujte stroj, ak je nôž v rezanom objekte. Hrozí nebezpečenstvo úrazu a poškodenie stroja. Rezací nástroj musí byť opatrený príslušným krytom.

**⚠ POZOR!** Pri nedodržaní inštrukcií hrozí nebezpečenstvo vážneho až smrteľného zranenia osôb!

- \* Oboznámte všetky osoby pracujúce s týmto strojom s obsluhou stroja a bezpečnostnými inštrukciami.

## 4. POPIS STROJA



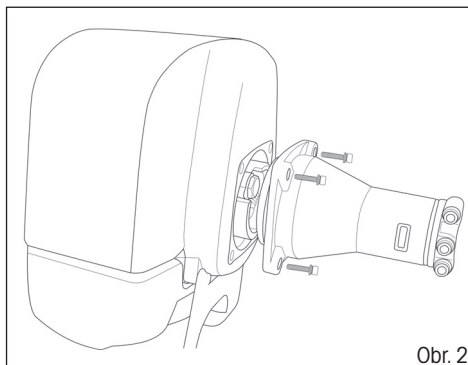
- |                                   |                              |
|-----------------------------------|------------------------------|
| 1. Poloautomatická strunová hlava | 9. Motor                     |
| 2. Nôž na zarezanie struny        | 10. Viečko palivovej nádrže  |
| 3. Ochranný plastový kryt         | 11. Palivová nádrž           |
| 4. Úchyt držiadiel                | 12. Záves ramenného popruhu  |
| 5. Páčka ovládania plynu          | 13. Páčka ovládania sýtiča   |
| 6. Areťácia polovičného plynu     | 14. Pumpička nástreku paliva |
| 7. Vypínač                        |                              |
| 8. Bezpečnostná poistka plynu     |                              |

### Obsah balenia:

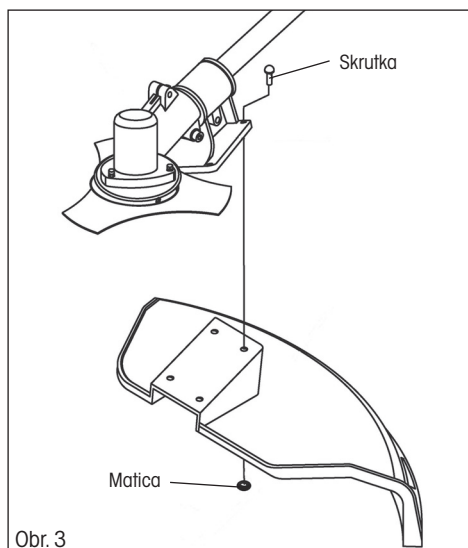
Strunová hlava, oceľový trojzubec, ramenný popruh, kalibrovaná nádoba na miešanie palivovej zmesi, náhradná zapalovacia sviečka, šesťhranný kľúč 4 mm, šesťhranný kľúč 5 mm, 4× šesťhranná skrutka 5 mm, 4× šesťhranná skrutka 4 mm s maticou (namontované v úchyte plastového krytu), 2× fixačná páska, skrutkovač, stranový kľúč 8/10, rúrkový kľúč s krížovým skrutkovačom.

## 5. ZOSTAVENIE

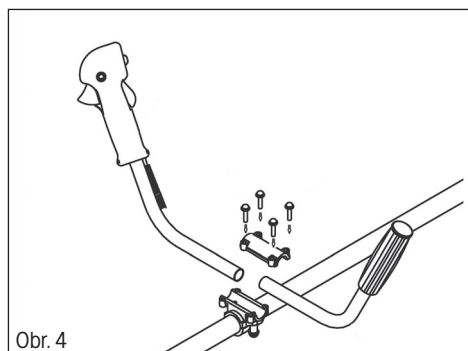
- ✿ Pomocou štyroch priložených skrutiek pripevníte motor krovínorezu k hriadeľu (pozrite obr. 2).
- ✿ Namontujte ochranný kryt na hriadeľ pomocou priložených skrutiek a matíc (pozrite obr. 3)
- ✿ Namontujte rukoväť do držiaka (pozrite obr. 4)  
Rukoväť je možné po hriadeľ posúvať. Každý tak môže zvoliť ideálnu pozíciu na pohodlnú prácu. Po zvolení ideálnej pracovnej polohy dotiahnite skrutky.  
Prívodný kábel zaistíte k hriadeľu pomocou priložených sťahovacích pásov.



Obr. 2



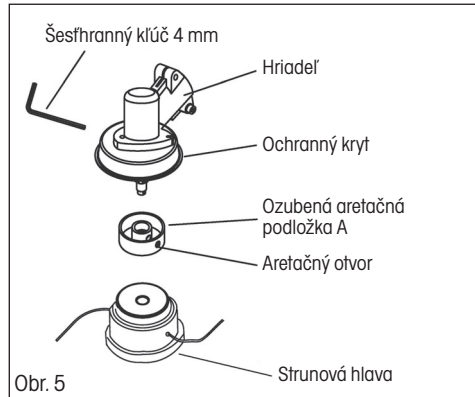
Obr. 3



Obr. 4

### Montáž strunovej hlavy

- ✿ Zablokujte hriadeľ priloženým šesťhranným kľúčom 4 mm (pozrite obr. 5). Na tento účel je nutné zarovnať otvor v ochrannom kryte s otvorom v hriadeľi a zasunúť šesťhranný kľúč. Zarovnanie otvorov docielite otáčaním ochranného krytu.
- ✿ Jednotlivé diely namontujte v tomto poradí:
  1. ozubená aretačná podložka A (takisto opatrená otvorom na aretáciu)
  2. strunová hlava
- ✿ Strunovú hlavu naskrutkujte na hriadeľ otáčaním proti smeru pohybu hodinových ručičiek (pozor, obrátený závit) a riadne ju utiahnite.
- ✿ Vyberte šesťhranný kľúč z aretačného otvoru.



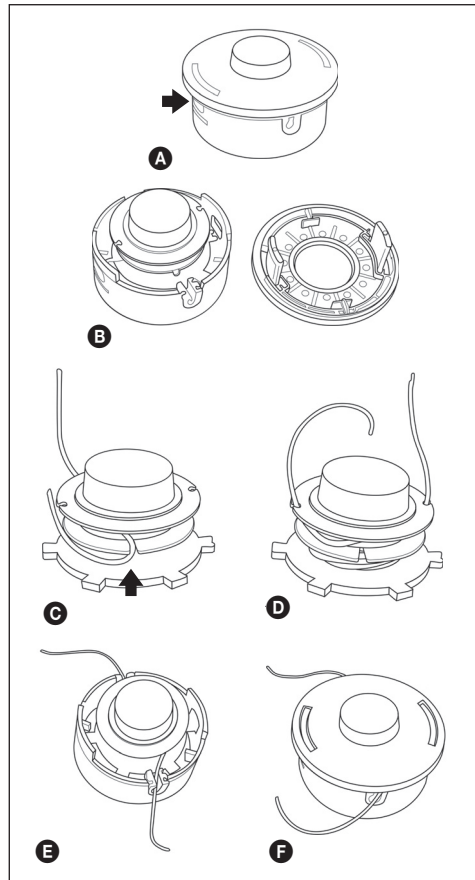
Obr. 5

### Doplnenie struny do strunovej hlavy

1. Na boku hlavy stačte aretačné západky krytu a kryt odoberte (pozrite obr. A a B).
2. Vyberte cievku zo strunovej hlavy. Pripravte si cca 2 – 3 m struny s priemerom 2,4 mm.
3. Strunu v polovici prehnite a ohyb zaistíte v drážke (pozrite obr. C).
4. Oba konce potom súbežne namotajte na cievku a to v smere hodinových ručičiek. Konce namotanej struny zaistíte do pripravených otvorov (pozrite obr. D).
5. Cievku umiestnite späť do strunovej hlavy a zaistíte ju krytom (pozrite obr. E a F)

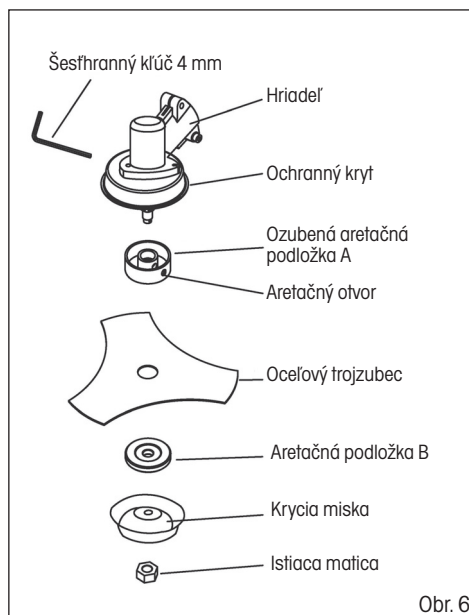
### ⚠ VAROVANIE!

Používajte iba kvalitnú nylonovú strunu s priemerom 2,4 mm. Nikdy namiesto nylonovej struny nepoužívajte drôt alebo strunu vystuženú drôtom. Používajte iba originálnu strunovú hlavu.



### Montáž oceľového trojzubca

- \* Zablokujte hriadeľ priloženým šesťhranným kľúčom 4 mm (pozrite obr. 6). Na tento účel je nutné zarovnať otvor v ochrannom kryte s otvorom v hriadeľi a zasunúť šesťhranný kľúč. Zarovnanie otvorov docielite otáčaním ochranného krytu.
- \* Jednotlivé diely namontujte v tomto poradí:
  1. Ozubená aretačná podložka A (takisto opatrená otvorom na aretáciu)
  2. oceľový trojzubec
  3. aretačná podložka B
  4. krycia miska
  5. istiaca matica
- \* Uistite sa, či nôž dosadá správne do vymedzovacej časti ozubenej aretačnej podložky A
- \* Pomocou priloženého nástrčného kľúča otáčajte upevňovacou maticou noža proti smeru pohybu hodinových ručičiek (pozor, obrátený závit), kým nedosiahnete bezpečné utiahnutie.
- \* Vyberte šesťhranný kľúč z aretačného otvoru.



Obr. 6

### ⚠ VAROVANIE!

AK DÔJDE K NADMERNÝM VIBRÁCIÁM – OKAMŽITE ZASTAVTE MOTOR

Nadmerné vibrácie noža znamenajú, že tento nôž nie je správne namontovaný. Okamžite zastavte motor a skontrolujte nôž.

Nesprávne namontovaný nôž môže spôsobiť zranenie.

Pri vykonávaní údržby a servisu tohto výrobku používajte iba originálne príslušenstvo.

## 6. PRÍPRAVA PALIVOVEJ ZMESI

### ⚠ VAROVANIE!

- \* Nikdy nedoplníte palivo do palivovej nádrže na uzatvorenom a nevetranom mieste.
- \* Nedoplníte palivo v blízkosti otvoreného plameňa alebo zdroja iskrenia.
- \* Nádrž neprelejte. Pred naštartovaním motora zaistíte, aby boli zotreté všetky zvyšky rozliateho paliva.
- \* Ak je motor horúci, NEDOPLŇUJTE PALIVO.

- \* **Pre tento typ dvojtaktného motora sa používa mix bezolovnatého benzínu s olejom pre dvojtaktné motory v pomere 25 : 1.**

⚠ **POZOR!** Palivová zmes namiešaná v inom pomere než 25 : 1 môže spôsobiť poškodenie motora. Uistite sa, či je táto zmes namiešaná správne.



- ✿ Pri miešaní benzínu s motorovým olejom pre dvojtaktné motory používajte iba benzín, ktorý neobsahuje ŽIADNY ETANOL alebo METANOL (typy alkoholu).
- ✿ Používajte kvalitný benzín s oktánovým číslom 95 alebo vyšším. Takto pomôžete zabrániť možnému poškodeniu palivového systému a iných častí motora.  
Na namiešanie palivovej zmesi odporúčame použiť kalibrovanú nádobu priloženú v balení krovinorezu. NEMIEŠAJTE BENZÍN A OLEJ PRIAMO V PALIVOVEJ NÁDRŽI.

### **Skladovanie paliva**

Skladujte palivo iba v čistom, bezpečnom a schválenom kanistri. Naštudujte si a dodržujte miestne predpisy týkajúce sa typu a umiestnenia kanistrov s palivom.

#### **⚠ DÔLEŽITÉ**

Palivo pre dvojtaktné motory sa môže separovať. Pred každým použitím každý kanister s palivom riadne pretrepte.

Skladované palivo starne. Nemiešajte si viac paliva, než predpokladáte, že spotrebujete do jedného mesiaca.

## 7. PRÍPRAVA NA POUŽITIE

#### **⚠ DÔLEŽITÉ:**

Dbajte na pokyny na prípravu palivovej zmesi! Nedodržanie pokynov môže viesť k poškodeniu motora! Nepoužívajte palivo, ktoré sa skladovalo dlhšie než dva mesiace. Palivová zmes skladovaná dlhšie než dva mesiace spôsobí problémy pri štartovaní a nižší výkon motora. Ak sa bude palivová zmes skladovať dlhšie než dva mesiace, mala by sa odstrániť a musí sa použiť nové palivo.

#### **Kontrolované body pred začatím práce**

1. Skontrolujte, či nedošlo k uvoľneniu skrutiek, matíc a montážnych prvkov. Uvoľnené skrutky dotiahnite.
2. Skontrolujte, či nie je znečistený vzduchový filter. Pred začatím práce odstráňte zo vzduchového filtra všetky nečistoty.
3. Uistite sa, či je plastový chránič hlavy či noža riadne upevnený na svojom mieste.
4. Uistite sa, či nedochádza k únikom z palivovej nádrže.
5. Uistite sa, či nedošlo k poškodeniu noža či strunovej hlavy.

## 8. SPUSTENIE KROVINOREZU

#### **⚠ VAROVANIE!**

- ✿ Pred naštartovaním motora sa uistite, či sa rezný kotúč/strunová hlava voľne pohybuje a nedotýka sa žiadneho cudzieho predmetu.
- ✿ Pri minimálnych otáčkach motora sa rezačí nástroj nesmie otáčať. V opačnom prípade kontaktujte autorizované servisné stredisko, aby vykonalo kontrolu a problém odstránilo.
- ✿ Pred naštartovaním motora sa uistite, či sa páčka plynu pohybuje voľne.

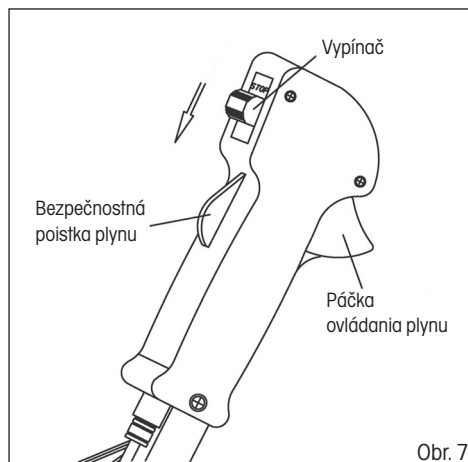
**⚠ UPOZORNENIE:** Krovinorez držte pevne oboma rukami. Vždy stojte tak, aby ste mali telo naľavo od rúrky hriadeľa. Nikdy nedržte rukoväť skríženými rukami. Tieto pokyny platia aj pre ľavákov.

**⚠ UPOZORNENIE:** Vystavenie vibráciám môže spôsobiť poškodenie zdravia osôb, ktoré trpia problémami obehového systému alebo nervovými problémami. Ak sa prejavia fyzické symptómy ako znecitlivenie, zníženie citlivosti, zníženie normálnej sily alebo zmeny zafarbenia pokožky, obráťte sa na lekára. Tieto symptómy sa obvykle prejavia na prstoch, rukách alebo zápästí.

## POSTUPY PRE ŠARTOVANIE A ZASTAVENIE MOTORA

### Štartovanie studeného motora

1. Nastavte vypínač do polohy „ŠTART“ (pozrite obr. 7).
2. Opakovane stlačajte pumpičku nástreku paliva (5 až 10 stlačení), kým sa palivo nedostane do karburátora. (pozrite obr. 8).
3. Páčku sýtiča prepnite smerom hore do polohy „OFF“ (= vypnutý prívod vzduchu, tzn. zapnutý sýtič). (pozrite obr. 8).
4. Krovinorez opríte o zem, aby bol stabilný a ťahajte za rukoväť štartovacej šnúry, kým nedôjde k pretočeniu motora (motor prejaví snahu naštartovať).
5. V tomto okamihu stlačte páčku sýtiča dole do polohy „ON“ (= otvorený prívod vzduchu, tzn. vypnutý sýtič) a opätovným ťahaním za štartovaciu šnúru motor naštartujte.



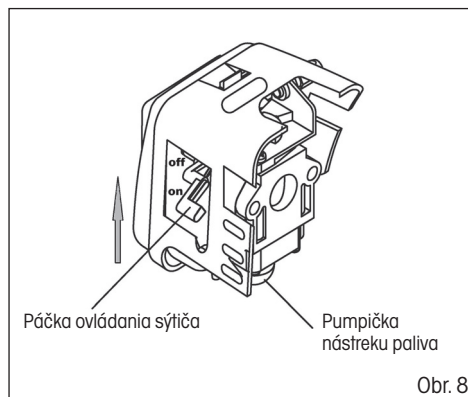
Obr. 7

**⚠ POZOR!** Príliš dlhé pretáčanie motora s páčkou sýtiča v polohe OFF spôsobí preplavenie motora a problémy s jeho štartovaním.

6. Pred začatím práce nechajte motor niekoľko minút zahrievať na prevádzkovú teplotu.

### Štartovanie zahriateho motora

1. Nastavte vypínač do polohy „ŠTART“.
2. Ťahajte za rukoväť štartovacej šnúry, kým nedôjde k naštartovaniu motora. **NEPOUŽÍVAJTE SÝTIČ!**



Obr. 8

**⚠ POZOR!** Ak došlo k úplnému spotrebovaniu paliva v palivovej nádrži, po doplnení paliva zopakujte kroky pre ŠARTOVANIE STUDENÉHO MOTORA.

### Regulácia otáčok strunovej hlavy/ocelového trojzubca

- ✿ Na zvýšenie otáčok stlačte najskôr dlaňou bezpečnostnú poistku plynu a následne palcom stlačte páčku ovládania plynu (pozrite obr. 7)
- ✿ Páčku plynu je možné aretovať pomocou aretácie polplynu (obr. 1, bod 6)
- ✿ Na zníženie otáčok uvoľnite páčku ovládania plynu

### Zastavenie motora

- ✿ Prepnite vypínač do polohy STOP.

### ⚠ VAROVANIE!

Výfukové plyny motora obsahujú chemické látky, ktoré sú zdraviu škodlivé. Nikdy tieto plyny nevdychujte. Krovínorez vždy štartujte mimo budovy.

## 9. KOSENIE

### ⚠ VAROVANIE!

Pri práci so všetkými modelmi strunových kosačiek alebo krovínorezov môže dôjsť k vymršteniu kameňov, kovových alebo malých predmetov a tiež koseného materiálu. Pozorne si prečítajte všetky predpisy týkajúce sa bezpečnosti.

Dodržujte pokyny uvedené v tomto návode na obsluhu.

### ⚠ VAROVANIE!

Používajte ochranu hlavy, zraku, tváre a sluchu. Používajte vhodnú obuv, ktorá bude chrániť vaše nohy a ktorá zaisť pevný postoj na klzkom povrchu. Nenoste kravaty, šperky alebo voľné časti odevu, ktoré by mohli byť zachytené pohybujúcimi sa dielmi náradia. Nenoste obuv s otvorenou špičkou. Nepracujte bosí alebo ak máte holé nohy. V určitých situáciách musíte používať úplnú ochranu tváre a hlavy.

Dávajte pozor, aby nedošlo k spätnému rázu a k zaseknutiu noža.

### ⚠ VAROVANIE

Vždy používajte ramenný popruh.

Nastavte popruh a príchytku popruhu na náradí tak, aby bola kosačka zavesená niekoľko centimetrov nad povrchom terénu. Hlava kosačky a kovový kryt musia byť v každom smere celkom zarovnané. Zavesťe krovínorez na pravú časť tela.

### ⚠ NEBEZPEČNÁ ZÓNA

DO NEBEZPEČNEJ ZÓNY S POLOMEROM 15 METROV NESMÚ OKREM OBSLUHY VSTÚPIŤ ŽIADNE OSOBY. OBSLUHA MUSÍ POUŽÍVAŤ VHDNÚ OCHRANU ZRAKU, SLUCHU, TVÁRE, CHODIDIEL, NÔH A TELA. OSOBY NACHÁDZAJÚCE SA V NEBEZPEČNEJ ZÓNE ALEBO V RIZIKOVEJ ZÓNE ZA NEBEZPEČNOU ZÓNOU MUSIA POUŽÍVAŤ OCHRANU ZRAKU CHRÁNIACU PRED VYMRŠTENÝMI PREDMETMI. RIZIKO SA ZNIŽUJE S RASTÚCOU VZDIALENOSŤOU OD NEBEZPEČNEJ ZÓNY.

## KOSENIE POMOCOU HLAVY S NYLONOVOU STRUNOU

- ☼ Hlava so strunou sa otáča V SMERE POHYBU HODINOVÝCH RUČIČIEK.
- ☼ **Posun struny sa vykonáva poloautomaticky. Pri kosení iba jemne poklepte hlavou o povrch zeme, tým dôjde k stlačeniu tlačidla na spodnej strane hlavy a miernemu vyjdeniu struny. Struna sa potom do maximálnej prípustnej dĺžky skráti o nôž integrovaný v plastovom kryte.**

### Zastrihávanie trávy

- ☼ Pri tejto činnosti opatrne posúvajte kosačku do materiálu, ktorý chcete kosiť. Pomaly nakloňte hlavu tak, aby sa pokosený materiál odhadzoval smerom od vás. Ak kosíte až k prekážkam, ako sú ploty, steny a stromy, približujte sa v takom uhle, aby sa všetok odrazený materiál pohyboval smerom od vás. Pomaly pohybujte hlavou s nylonovou strunou sprava doľava, kým nebude tráva pokosená až k prekážke, ale zabráňte tomu, aby sa struna dostala do kontaktu s prekážkou.
- ☼ Pri kosení v blízkosti drôteného plota alebo ohrady opatrne postupujte tak, aby ste sa nedostali do kontaktu s drôtmi. Ak prekročíte minimálnu vzdialenosť od plota, struna sa po náraze do drôtu skráti.
- ☼ Pri kosení buriny sa môže kosiť jedna stonka po druhej. Umiestnite hlavu kosačky so strunou k spodnej časti buriny – nikdy k hornej časti, pretože by mohlo dôjsť k roztráseniu stonky a zachyteniu struny. Namiesto priameho presekávania buriny používajte radšej iba koniec struny a presekajte stonku pomaly.

### Osekávanie a kosenie okrajov

- ☼ Obe z týchto činností sa vykonávajú s hlavou s nylonovou strunou naklonenou vo veľkom uhle. Osekávanie je odstraňovanie horného porastu, po ktorom zostane iba holá zem.
- ☼ Kosenie okrajov je kosenie trávy na okrajoch záhonov, ktorá presahuje do chodníkov a ciest.
- ☼ Počas osekávania aj kosenia okrajov držte náradie v príkrom uhle a v polohe, keď sa nebudú nečistoty, pokosený materiál a kamienky odhadzovať dozadu smerom na vás, ak dôjde k ich odrazeniu od tvrdého povrchu. Aj keď je na obrázkoch zobrazené ako osekávať aj kosiť okraje, každý používateľ si musí nájsť takú polohu, ktorá bude vyhovovať jeho telesným proporciám a pracovným podmienkam.

### ⚠ VAROVANIE

Ak je použitá hlava s nylonovou strunou, na náradí musí byť použitý správny ochranný kryt. Ak je nylonová struna vysunutá príliš, môže dochádzať k jej trepotaniu. Ak používate hlavy s nylonovou strunou, vždy použite plastový ochranný kryt so skracovacím nožom.

### ⚠ VAROVANIE

Pri práci vykonávanej nad holou plochou alebo nad štrkom buďte veľmi opatrní, pretože nylonová struna môže vysokou rýchlosťou vyvrstíť malé kamienky.

Ochranný kryt na tomto náradí nemôže zastaviť predmety, ktoré sa odrazia od tvrdých povrchov.


### ⚠ VAROVANIE

Nekoste na miestach, kde sa nachádzajú drôty a drôtené pletivo. Používajte bezpečnostné ochranné prvky. Nekoste na miestach, kde nemôžete vidieť, čo bude kosačka kosiť.

## KOSENIE POMOCOU NOŽA

### Kosenie buriny

- ☼ Ide o kosenie kývavým pohybom noža vykonávané v oblúku. Týmto spôsobom môžete rýchlo vyčistiť plochy zarastené travinami a burinou. Kosenie by sa nemalo používať pri sekaní veľkej a odolnej buriny alebo drevitého porastu.
- ☼ Kosiť je možné v oboch smeroch alebo iba v jednom smere, čo bude znamenať, že pokosený materiál sa bude odhadzovať smerom od vás. Pri tomto kosení bude pracovať tá časť noža, ktorá sa otáča smerom od vás. Nakloňte nôž mierne dole na rovnakú stranu. Ak budete kosiť v oboch smeroch, budete zasiahnuť niektorými nečistotami.

 **Poznámka:** Nepoužívajte nôž na kroviny na kosenie stromčekov s priemerom, ktorý je väčší než 12 mm.

### **VAROVANIE**

NEDOTÝKAJTE SA NOŽOM PREDMETOV TOHTO TYPU:

KOVOVÉ STÍLPIKY, ELEKTRICKÉ DRÔTY, GUMA, MURIVO, KAMENE, PLOTY

### **VAROVANIE**

Nekoste, ak je oceľový nôž tupý, prasknutý alebo poškodený.

Pred začatím kosenia urobte kontrolu, či sa na pracovnej ploche nenachádzajú žiadne prekážky, ako sú kamene, kovové stĺpiky alebo stočené drôty. Ak nemôžete tieto prekážky odstrániť, označte ich tak, aby nedošlo k ich kontaktu s nožom. Kamene alebo kovové predmety spôsobia otupenie alebo poškodenie noža. Drôty sa môžu namotať na nožovú hlavu alebo sa môžu vyvrátiť a môžu spôsobiť zranenie.

# 10. ÚDRŽBA A USKLADNENIE

## Údržba stroja

- ✿ Pred každým použitím:
  - Prekontrolujte dotiahnutie všetkých skrutiek a matíc.
  - Prekontrolujte, či nevyteká z palivovej nádrže pohonná hmota.
  - Prevodovku premažte mazivom.
- ✿ Po každých 20 hodinách prevádzky (Na tento účel odporúčame kontaktovať autorizované servisné stredisko.):
  - Vyčistite vzduchový filter.
  - Vyčistite filter paliva.
- ✿ Po každých 50 hodinách prevádzky (Na tento účel odporúčame kontaktovať autorizované servisné stredisko.):
  - Vyčistite zapaľovaciu sviečku a nastavte medzeru medzi elektródami na vzdialenosť 0,6 – 0,7 mm.
  - Vyčistite usadeniny z výfuku a tlmíča výfuku.
  - Hriadeľ znovu odmontujte a premažte kvalitným mazivom.
- ✿ Prekontrolujte montáž po vykonaní údržby a prekontrolujte dotiahnutie všetkých skrutiek a matíc.

## Servis

- ✿ V prípade, že po kúpe výrobku zistíte akúkoľvek poruchu, kontaktujte servisné oddelenie. Pri použití výrobku sa riadte pokynmi uvedenými v priloženom návode na použitie.
- ✿ Na reklamáciu sa nebude brať zreteľ, ak ste výrobok pozmenili či ste sa neriadili pokynmi uvedenými v návode na použitie.

## Záruka sa nevzťahuje:

- ✿ Na prirodzené opotrebenie funkčnej časti stroja v dôsledku jeho používania
- ✿ Na servisné zásahy súvisiace so štandardnou údržbou stroja (napr. čistenie, mazanie, nastavenie a pod.)
- ✿ Na poruchy spôsobené vonkajšími vplyvmi (napr. klimatickými podmienkami, prašnosťou, nevhodným použitím a pod.)
- ✿ Na mechanické poškodenia v dôsledku pádu stroja, nárazu, úderu doň a pod.
- ✿ Na škody vzniknuté neodborným zaobchádzaním, preťažením, použitím nesprávnych dielov, nevhodných nástrojov a pod. Pri reklamovaných výrobkoch, ktoré neboli riadne zabezpečené proti mechanickému poškodeniu pri preprave, nesie riziko prípadnej škody výhradne majiteľ.

## Uskladnenie

- ⚠ **POZOR!** Ak stroj dlhší čas nepoužívate, prístroj uskladnite podľa nasledujúcich pokynov. Predĺžite tak životnosť stroja.
- ✿ Kompletne vylejte palivo z palivovej nádrže a karburátora. Zavrite sýtič a 3- až 5-krát potiahnite štartér.
- ✿ Vyskrutkujte zapaľovaciu sviečku a nalejte do otvoru malé množstvo motorového oleja. Jemne potiahnite 2- až 3-krát štartér.
- ✿ Čistou handrou vyčistite vonkajšie plochy. Stroj uskladnite na čistom a suchom mieste.

## 11. ČO ROBIŤ „KEĎ“ ...

Motor neštartuje	Možná príčina	Odstránenie
1. Skontrolujte palivo.	V karburátore alebo v nádrži nie je palivo.	Doplňte palivo.
	Palivo obsahuje vodu.	
	Nesprávny pomer zmesi pohonnej hmoty.	Vypustite palivovú nádrž a karburátor. Naplňte nádrž novým palivom.
2. Vyberte a skontrolujte zapalovaciu sviečku.	Chybná alebo znečistená sviečka.	Vymeňte zapalovaciu sviečku
	Nesprávna medzera medzi elektródami.	
	Zapaľovacia sviečka je vlhká, zasiahnutá benzínom (zahľtený motor).	Vysušte a opäť namontujte zapalovaciu sviečku.
3. Zavezte motor do kvalifikovaného servisu, alebo k predajcovi.	Upchatý palivový filter, porucha karburátora, porucha zapalovania, upchaté ventily a pod.	Vymeňte alebo opravte chybné diely.

Nedostatočne funkčný motor	Príčina poruchy	Oprava
1. Skontrolujte vzduchový filter.	Znečistený vzduchový filter.	Vyčistite alebo vymeňte vložku vzduchového filtra.
2. Skontrolujte palivo.	Palivo obsahuje vodu.	Vypustite palivovú nádrž a karburátor. Naplňte nádrž novým palivom.
	Nesprávny pomer zmesi pohonnej hmoty.	
3. Skontrolujte nastavenie sýtiča a ovládania plynu.	Sýtič nebol úplne otvorený.	Opravte nastavenie.
	Zle nastavené plynové lanko.	
4. Zavezte motor do kvalifikovaného servisu, alebo k predajcovi.	Upchatý palivový filter, porucha karburátora, porucha zapalovania, upchaté ventily a pod.	Vymeňte alebo opravte chybné diely.

<b>Motor naštartuje a hneď zhasne</b>	<b>Možná príčina</b>	<b>Odstránenie</b>
1. Skontrolujte palivo.	Došlo palivo.	Doplňte palivo.
	Palivo obsahuje vodu.	Vypustite palivovú nádrž a karburátor.
	Nesprávny pomer zmesi pohonnej hmoty.	Napiňte nádrž novým palivom.
2. Vyberte a skontrolujte zapalovaciu sviečku.	Chybná alebo znečistená sviečka.	Vymeňte zapalovaciu sviečku.
	Nesprávna medzera medzi elektródami.	
3. Skontrolujte vzduchový filter.	Znečistený vzduchový filter. Upchatý vzduchový filter.	Vyčistite alebo vymeňte vložku vzduchového filtra.
4. Zavezte motor do kvalifikovaného servisu, alebo k predajcovi.	Upchatý odvodušňovací ventil.	Vymeňte alebo opravte chybné diely.
	Upchatý palivový filter, porucha karburátora, porucha zapalovania, upchaté ventily a pod.	



## 12. LIKVIDÁCIA

### POKYNY A INFORMÁCIE O ZAOBCHÁDZANÍ S POUŽITÝM OBALOM

Použitý obalový materiál odložte na miesto určené obcou na ukladanie odpadu.



Stroj a jeho príslušenstvo sú vyrobené z rôznych materiálov, napr. z kovu a plastov. Poškodené súčiastky odovzdajte do triedeného zberu. Informujte sa na príslušnom úrade.



Tento výrobok spĺňa všetky základné požiadavky smerníc EÚ, ktoré sa naň vzťahujú.

Zmeny v texte, dizajne a technických špecifikáciách sa môžu meniť bez predchádzajúceho upozornenia a vyhradzujeme si právo na ich zmenu.

Návod na použitie v originálnom jazyku.

# 13. VYHLÁSENIE O ZHODE

# FAST<sup>®</sup>

FAST ČR, a. s.  
Černokostecká 1621, 251 01 Říčany, Česká republika  
tel.: +420 323 204 111, fax: +420 323 204 110

## VYHLÁSENIE O ZHODE

**Výrobca:**

FAST ČR, a. s.  
Černokostecká 2111, 100 00 Praha 10, Česká republika  
DIČ: CZ26726548

**Produkt/značka:** BENZÍNOVÝ KROVINOREZ A STRUNOVÁ KOSAČKA/FIELDMANN

**Typ/model:** FZS 3003-B

**Parametre motora:** 25,4 ccm; 0,7 kW/6 500 ot./min; max. 8 500 ot./min.

**Toto vyhlásenie o zhode je vydané na výhradnú zodpovednosť výrobcu.**

**Vyššie uvedený predmet tohto vyhlásenia vyhovuje príslušným harmonizačným právnym predpisom Únie:**

Smernica 2012/46/EÚ  
Smernica o strojových zariadeniach 2006/42/ES  
Smernica EMC 2014/30/EÚ

**Príslušné harmonizované normy a ostatné technické špecifikácie:**

EN ISO 11806-1:2011  
EN ISO 14982:2009



**Miesto vydania:** Praha

**Meno:** Ing. Zdeněk Pech  
Predseda predstavenstva

**Dátum vydania:** 1. 4. 2017

**Podpis:**

**FAST<sup>®</sup>** FAST ČR, a. s.  
Černokostecká 1621, 251 01 Říčany  
IČO: 26726548 tel.: +420/ 323 204 111  
DIČ: CZ26726548 fax: +420/ 323 204 110



IČ: 26 72 65 48, DIČ: CZ-26 72 65 48

Banka: Komerční banka Praha 1, č. ú. 89309011/0100, Česká spořitelna Praha 4, č. ú. 2375682/0800,  
CSOB Praha 1, č. ú. 8010-0116233383/0300

## 14. TECHNICKÉ ÚDAJE

Model .....	FZS 3003 B
Objem valca.....	25,4 cm <sup>3</sup>
Maximálny výkon motora.....	0,70 kW
Dĺžka hriadeľa.....	1 500 mm
Typ motora .....	2-taktný chladený vzduchom
Odporúčané maximálne otáčky bez zaťaženia.....	8500 ot./min.
Priemer struny.....	2,4 mm
Zapaľovacia sviečka .....	L6 (LD)
Objem palivovej nádrže .....	800 ml
Pomer palivovej zmesi (olej pre 2-taktné motory/Natural 95).....	1:25
Hmotnosť bez paliva a žacích nástrojov.....	6,6 kg
Hladina akustického výkonu, zaručená LWA .....	112 dB(A)
Hladina akustického tlaku, maximálny LPA <sub>av</sub> .....	94,5 dB (A)
Úroveň vibrácií – strunová hlava, ľavé držadlo.....	8,9 m/s <sup>2</sup>
Úroveň vibrácií – strunová hlava, pravé držadlo.....	9,8 m/s <sup>2</sup>
Úroveň vibrácií – trojzubec, ľavé držadlo.....	4,5 m/s <sup>2</sup>
Úroveň vibrácií – trojzubec, pravé držadlo.....	3,7 m/s <sup>2</sup>
Odchýlka .....	K = 1,5 m/s <sup>2</sup>



# Benzines bozótvágó

## HASZNÁLATI ÚTMUTATÓ

**Köszönjük, hogy megvásárolta ezt a benzines bozótvágót. Mielőtt használni kezdi, figyelmesen olvassa el ezt a használati útmutatót és őrizze meg a későbbiekre.**

### TARTALOM

1. ÁLTALÁNOS BIZTONSÁGI ELŐÍRÁSOK.....	71
Fontos biztonsági figyelmeztetések.....	71
Csomagolás .....	71
Használati útmutató.....	71
2. A GÉPEN TALÁLHATÓ, UTASÍTÁSOKAT TARTALMAZÓ CÍMKÉK MAGYARÁZATA.....	72
3. HASZNÁLATI UTASÍTÁSOK .....	73
Biztonsági utasítások.....	73
Biztonsági utasítások – üzemanyag.....	73
Biztonsági utasítások – vágóegységek.....	74
4. A GÉP LEÍRÁSA .....	75
A csomag tartalma .....	75
5. ÖSSZESZERELÉS.....	76
A damilfej felszerelése.....	77
Damilpótlás a damilfejen.....	77
A háromágú acélkés felszerelése .....	78
6. AZ ÜZEMANYAGKEVERÉK ELKÉSZÍTÉSE .....	78
Az üzemanyag tárolása .....	79
7. A HASZNÁLAT ELŐKÉSZÜLETEI.....	79
A munka megkezdése előtt ellenőrzött pontok.....	79
8. A BOZÓTVÁGÓ ELINDÍTÁSA .....	79
A motor beindítása és megállítása.....	80
A hideg motor beindítása.....	80
A bemelegített motor indítása.....	80
A damilfej / háromágú acélkés forgásának szabályozása.....	81
A motor megállítása.....	81
9. VÁGÁS.....	81
Vágás nejlonhúros fej segítségével .....	82
A fű levágása.....	82
Csonkolás és peremek vágása.....	82
Vágás kés segítségével .....	83
A gaz lekaszálása.....	83

10. KARBANTARTÁS ÉS TÁROLÁS.....	84
A gép karbantartása.....	84
Szerviz.....	84
A jótállás nem vonatkozik.....	84
Tárolás.....	84
11. MIT TEGYEK, HA.....	85
12. MEGSEMISÍTÉS.....	87
13. MEGFELELŐSÉGI NYILATKOZAT.....	88
14. MŰSZAKI ADATOK.....	89

# 1. ÁLTALÁNOS BIZTONSÁGI ELŐÍRÁSOK

## Fontos biztonsági figyelmeztetések

- ✿ A terméket óvatosan csomagolja ki és ügyeljen arra, hogy a csomagolóanyag egyik részét se dobja ki korábban, mint hogy megtalálja a termék összes részét.
- ✿ A gépet tartsa száraz helyen és gyermekektől távol.
- ✿ Olvassa el az összes figyelmeztetést és utasítást. A figyelmeztetések és utasítások figyelmen kívül hagyásának áramütés, tűz és/vagy komoly sérülés lehet a következménye.

## Csomagolás

A terméket a csomagolása védi a szállítás közbeni sérüléstől. Ez a csomagolás újrahasznosítható anyagból készült.

## Használati útmutató

Mielőtt használni kezdi a gépet, olvassa el a következő biztonsági előírásokat és a használati utasításokat. Ismerkedjen meg a kezelőelemekkel és a készülék helyes használatával. Az útmutatót gondosan őrizze meg későbbi szükség esetére. Javasoljuk, hogy legalább a jótállás idejére őrizze meg a termék eredeti dobozát, csomagolását, pénztárbizonylatát és jótállási jegyét. Szállítás esetén csomagolja vissza az eredeti gyári csomagolásba, így maximális védelmet biztosít számára (pl. költözés vagy szervizbe küldés esetén).

 **Megjegyzés:** Ha a gépet újabb személynek adja el, az útmutatóval adja át.

A használati útmutató utasításainak betartása a gép helyes használatának alapja. A használati útmutató a kezelésre, karbantartásra és javításra vonatkozó utasításokat is tartalmaz.

**A gyártó nem felel az útmutató utasításainak be nem tartásából adódó balesetekért vagy károkért.**

## 2. A GÉPEN TALÁLHATÓ, UTASÍTÁSOKAT TARTALMAZÓ CÍMKÉK MAGYARÁZATA



Használat előtt figyelmesen olvassa el az útmutatót



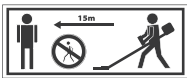
Munka közben használjon védőeszközöket



Általános veszélyre figyelmeztetés!



Vigyázat, visszarág!



Az embereket (különösen a gyerekeket) és az állatokat tartsa legalább 15 méter távolságban a munkaterülettől.



## 3. HASZNÁLATI UTASÍTÁSOK

### Biztonsági utasítások

#### Olvassa el figyelmesen!

- ✿ Mindig viseljen védősisakot, biztonsági kesztyűt, védőöltözetet (vágásbiztos nadrágot), védőkesztyűt és védőcipőt.
- ✿ A gépet tartsa távol a gyermekektől.
- ✿ Soha ne használja a motort, ha az üzemanyagtartályban csak benzin van.
- ✿ Soha ne töltsön üzemanyagot, ha a motor jár, vagy még forró. A motort csak akkor töltsse, ha hideg.
- ✿ Az üzemanyagot zárt csomagolásban, száraz és hűvös helyen tárolja.
- ✿ Tartsa be a biztonsági előírásokat.
- ✿ Minden használat előtt ellenőrizze a munkaterületet. Távolítsa el azokat a tárgyakat, amelyek kivágódhatnak vagy beszorulhatnak a gépbe.
- ✿ Munka közben minden személynek legalább 15 méter távolságban kell tartózkodnia.
- ✿ Soha ne használja a gépet a (vágókésre) felhelyezett biztonsági fedél nélkül.
- ✿ Soha ne töltsse teljesen tele az üzemanyagtartályt.
- ✿ Az üzemanyagtartály tetejét erősen be kell tekerni, nehogy az üzemanyag kifolyjon.
- ✿ Ne hagyja a gépet teljes gázzal menni, ha az üzemanyagtartály üres.  
Soha ne kapcsolja ki hirtelen a gépet, ha teljes gázzal megy.
- ✿ Ha a gép meghibásodik, ne használja. Lépjen kapcsolatba a szakszervizzel.
- ✿ Áthelyezéskor az egész gépet fogja meg, ha az üzemanyagtartálynál fogva tartja, az az üzemanyagtartály sérüléséhez és tűzhez vezethet.
- ✿ A bozótívágót mindig mindkét kezével tartsa.
- ✿ A forró bozótívágót ne tegye száraz fűre.
- ✿ A gép használata közben tilos a dohányzás.

### Biztonsági utasítások

#### Üzemanyag

- ✿ A bozótívágó szállításakor az üzemanyagtartálynak üresnek kell lennie.
- ✿ Az üzemanyagot csak engedélyezett kannában szállítsa.
- ✿ Rendszeresen ellenőrizze az üzemanyagtartály fedelét. Meg kell húzni, nehogy szökjön az üzemanyag.
- ✿ Kímélje a környezetet: figyeljen rá, nehogy szökjön az üzemanyag, és beszennyezze a talajt.
- ✿ A gépet legalább 3 méterre attól a helytől indítsa be, ahol az üzemanyagot beletöltötte.
- ✿ Soha ne zárt helyen töltsse az üzemanyagot. A helyiségben biztosítani kell a megfelelő szellőzést a robbanásveszély elkerülése érdekében.
- ✿ Ne lélegezzen be az üzemanyag kipárolgását. Az üzemanyagot védőkesztyűben töltsse.
- ✿ A védőöltözetet rendszeresen cserélje és tisztítsa.

## Biztonsági utasítások

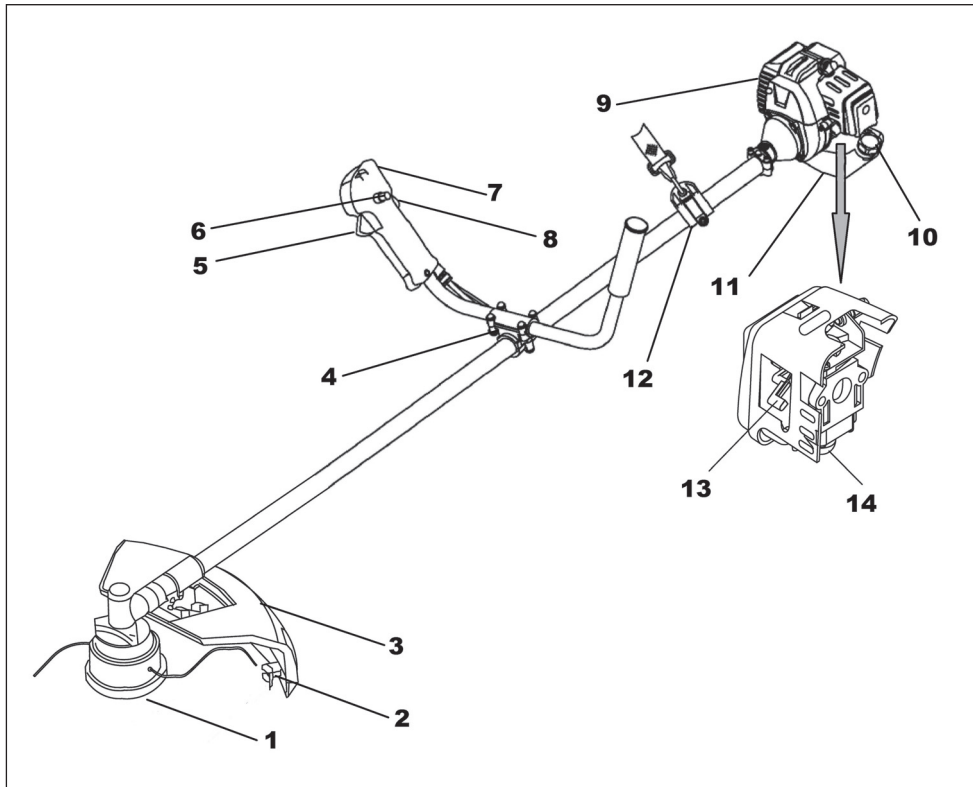
### Vágóegységek

- ✿ A vágóegység felszerelésekor ellenőrizze a kés állapotát. Ha sérült (repedt, meghajlott, eltört, stb.), cserélje ki.
- ✿ A kés felszerelése után ellenőrizze, hogy a késlyuk egy szinten van-e a késforgató karral.
- ✿ Forgassa meg a kést, ellenőrizze, hogy nem forog-e szabálytalanul.
- ✿ Ellenőrizze, hogy a kést úgy szerelte-e fel, hogy az éle forgásirányba legyen. Soha ne szerelje fel fordítva.
- ✿ Ellenőrizze, hogy a vágóegység helyesen van-e felszerelve, mégpedig terhelés nélkül forgatva (elég 1 perc).
- ✿ Az adott vágási feladatra alkalmas kést kell kiválasztani.
- ✿ Soha ne nyomja hozzá a kést semmilyen tárgyhoz működés közben. A tárgyakat alacsony sebességgel kell vágni.
- ✿ Ha a működés során szokatlan hangot hall, vagy a gép szokatlanul rázkódik, szakítsa meg a munkát, és állapítsa meg az okát.
- ✿ Ne állítsa meg a gépet, amíg a kés a vágott tárgyban van. Ez sérüléshez és a gép meghibásodásához vezethet.  
A vágóegységet megfelelő fedéllel kell ellátni.

**⚠ FIGYELEM!** Az utasítások be nem tartása súlyos, akár halálos személyi sérülést okozhat!

- ✿ Minden személyt, aki ezzel a géppel dolgozik, ismertessen meg a gép használatával és a biztonsági előírásokkal.

## 4. A GÉP LEÍRÁSA



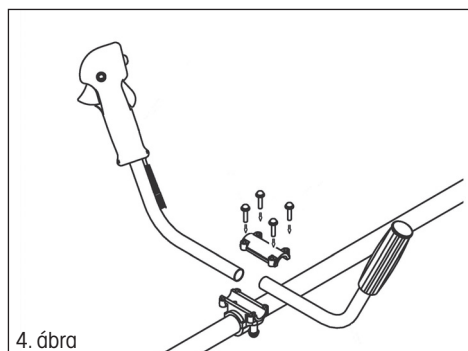
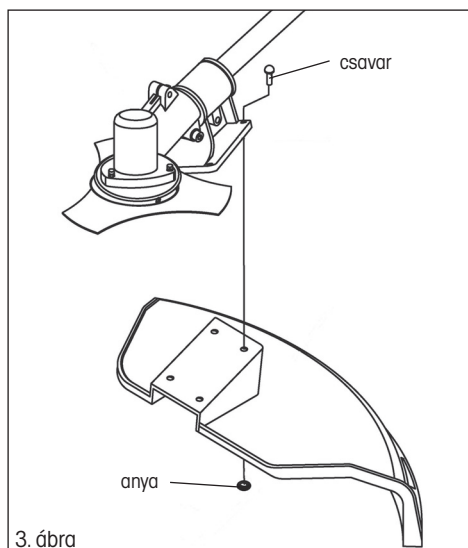
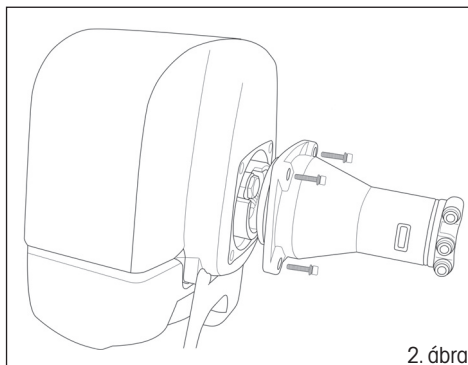
- |                                 |                                   |
|---------------------------------|-----------------------------------|
| 1. Félautomatikus damilfej      | 9. Motor                          |
| 2. Kés a damil elvágásához      | 10. Az üzemanyagtartály fedele    |
| 3. Műanyag védőburkolat         | 11. Üzemanyagtartály              |
| 4. A fogantyú rögzítése         | 12. A vállpánt rögzítése          |
| 5. Gázadagoló kar               | 13. A hidegindító karja           |
| 6. Félgáz rögzítése             | 14. Üzemanyag-befecskendező pumpa |
| 7. Kapcsoló                     |                                   |
| 8. A gáz biztonsági biztosítóka |                                   |

### A csomag tartalma:

Damilfej, háromágú acélkés, vállpánt, kalibrált edény az üzemanyag-keverék elkészítésére, tartalék gyújtógyertya, hatszögletű kulcs 4 mm, hatszögletű kulcs 5 mm, 4x hatszögletű csavar 5 mm, 4x hatszögletű csavar 4 mm anyával (a műanyag fedél fogójához szerelve), 2x rögzítőszalag, csavarhúzó, villáskulcs 8/10, csőkulcs keresztfeji csavarhúzóval.

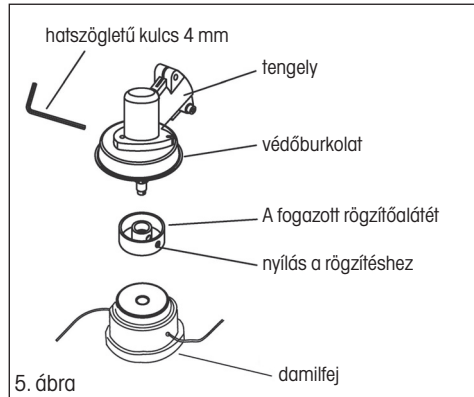
## 5. ÖSSZESZERELÉS

- \* A négy mellékelt csavar segítségével erősítse a bozótvágó motorját a tengelyhez (ld. 2. ábra).
- \* Szerelje fel a védőfedelelet a tengelyre a mellékelt csavarok és anyák segítségével (ld. 3. ábra)
- \* Szerelje a fogantyút a tartóra (ld. 4. ábra)  
A fogantyút a tengelye mentén el lehet tolni. Így mindenki ideális helyzetbe állíthatja a kényelmes munkához. Az ideális pozíció kiválasztása után húzza meg a csavarokat.  
A tápkábelt rögzítse a mellékelt rögzítőszalagok segítségével.



### A damilfej felszerelése

- ✿ Rögzítse a tengelyt a mellékelt 4 mm-es hatszögletű kulccsal (ld. 5. ábra). Ehhez a védőfedélen található nyílást rá kell illeszteni a tengelyen lévő nyílásra, majd a hatszögletű kulcsot bele kell dugni. A két nyílás összeillesztéséhez forgassa el a védőfedelet.
- ✿ Az egyes alkatrészeket a következő sorrendben szerelje fel:
  1. az A fogazott rögzítőalátétet (ez is el van látva egy nyílással a rögzítéshez)
  2. damilfej
- ✿ A damilfejet csavarja fel a tengelyre az óramutató járásával ellentétes irányban (vigyázat, fordított menet), és alaposan húzza meg.
- ✿ Vegye ki a hatszögletű kulcsot a rögzítőnyílásból.

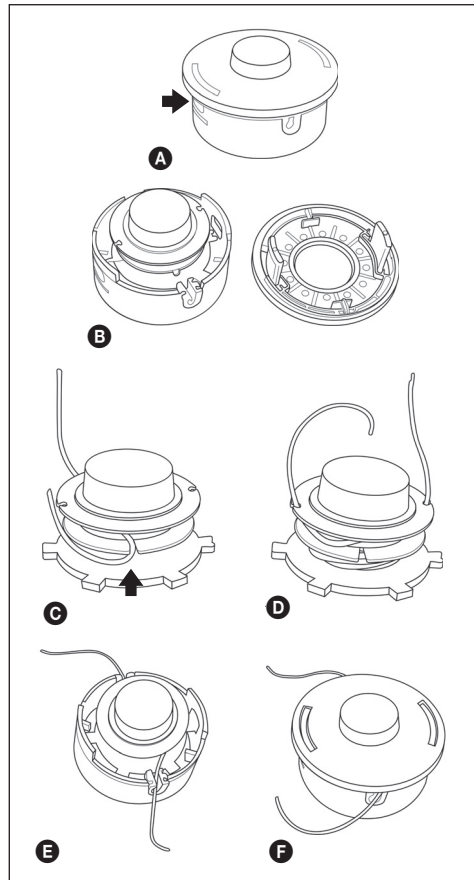


### Damipótlás a damilfejen

1. A fej oldalán nyomja össze a fedél biztonsági reteszeit, és vegye le a fedelet (ld. A és B ábra)
2. Vegye ki a damilfejből a tárcsát. Készítsen elő egy kb. 2 - 3 m hosszú 2,4 mm átmérőjű damilt.
3. A damilt a közepén hajlítsa meg, és a hajlatot rögzítse a vágatban (ld. C ábra)
4. Mindkét végét ezután tekerje fel a tárcsára, mégpedig az óramutató járásával megegyező irányban. A felfekert damil végeit rögzítse az előkészített nyílásokba. (ld. D ábra)
5. A tárcsát helyezze vissza a damilfejbe, és rögzítse a fedéllel (ld. E és F ábra)

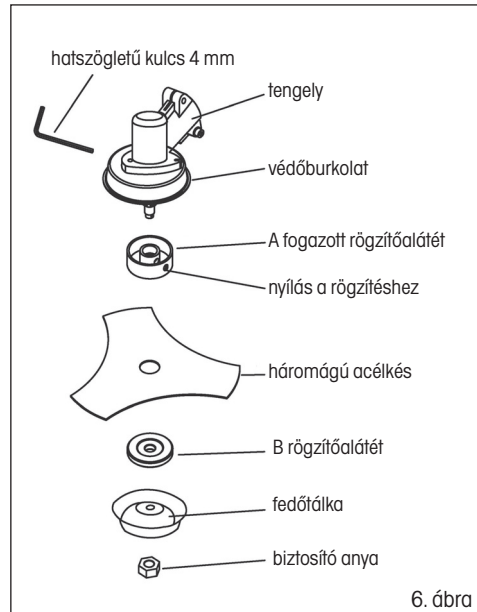
### ⚠ FIGYELMEZTETÉS!

Csak jó minőségű, 2,4 mm átmérőjű nejlondamilt használjon. A nejlondamilt helyett soha nem használjon drótot vagy dróttal merevített damilt. Csak eredeti damilfejet használjon.



### A háromágú acélkés felszerelése

- ✿ Rögzítse a tengelyt a mellékelt 4 mm-es hatszögletű kulccsal (ld. 6. ábra). Ehhez a védőfedélen található nyílást rá kell illeszteni a tengelyen lévő nyílásra, majd a hatszögletű kulcsot bele kell dugni. A két nyílás összeillesztéséhez forgassa el a védőfedelel.
- ✿ Az egyes alkatrészeket a következő sorrendben szerelje fel:
  1. A fogazott rögzítőalátét (ez is el van látva egy nyílással a rögzítéshez)
  2. háromágú acélkés
  3. B rögzítőalátét
  4. fedőtálka
  5. biztosító anya
- ✿ Bizonyosodjon meg róla, hogy a kés megfelelően beilleszkedik-e az A rögzítőalátét távtartó részébe
- ✿ A mellékelt dugókulcs segítségével forgassa a rögzítőanyát az óramutató járásával ellentétes irányba (vigyázat, fordított menet), amíg biztonságosan nem tart.
- ✿ Vegye ki a hatszögletű kulcsot a rögzítőnyílásból.



### ⚠ FIGYELMEZTETÉS!

HA TÚLZOTT REMEGÉST ÉRZÉKEL – AZONNAL ÁLLÍTSA LE A MOTORT

A kés túlzott remegése azt jelenti, hogy ez a kés nincs jól felszerelve. Azonnal állítsa meg a motort és ellenőrizze a kését. A hibásan felszerelt kés sérülést okozhat. A termék javítása vagy karbantartása során csak eredeti alkatrészt használjon.

## 6. AZ ÜZEMANYAG-KEVERÉK ELKÉSZÍTÉSE

### ⚠ FIGYELMEZTETÉS!

- ✿ Soha ne töltsön üzemanyagot az üzemanyagtartályba zárt és nem szellőző helyiségben.
- ✿ Ne töltsön üzemanyagot nyílt láng vagy szikraforrás közelében.
- ✿ Ne töltsen túl a tartályt. Mielőtt elindítja a motort, győződjön meg róla, hogy eltávolította a kifolyt üzemanyag maradványait.
- ✿ Ha a motor forró, NE TÖLTÖN BELE ÜZEMANYAGOT.
- ✿ **Az ilyen típusú kétütemű motorhoz olajmentes benzin és kétütemű motorhoz való olaj 25 : 1 arányú keverékét használjuk.**

⚠ **FIGYELEM!** Ha a keverék aránya eltér a 25 : 1 aránytól, a motor meghibásodhat. Bizonyosodjon meg róla, hogy a keverék megfelelő arányú-e.

- ✿ Ha kétütemű motor számára benzint és motorolajat kever össze, csak olyan benzint használjon, amely nem tartalmaz ETANOLT vagy METANOLT (alkoholtípusok).
- ✿ 95-ös vagy magasabb oktánszámú jó minőségű benzint használjon. Ezzel megakadályozza az üzemanyagrendszer vagy a motor más részeinek meghibásodását.  
Az üzemanyag-keverék elkészítéshez javasoljuk, hogy a bozótvágó csomagolásában mellékelt kalibrált edényt használja. NE KEVERJE A BENZINT ÉS OLAJAT KÖZVETLENÜL AZ ÜZEMANYAG TARTÁLYBAN.

### Az üzemanyag tárolása

Az üzemanyagot csak tiszta, biztonságos, engedélyezett kannában tárolja. Tanulmányozza át és tartsa be az üzemanyagkanna típusára és elhelyezésére vonatkozó helyi előírásokat.

#### **▲ FONTOS**

A kétütemű motorokhoz való üzemanyag szétválhat. Minden használat előtt minden üzemanyagkannát alaposan rázzon fel.

A tárolt üzemanyag előregszik. Ne keverjen össze több üzemanyagot, mint amennyit feltételezhetően egy hónap alatt elhasznál.

## 7. A HASZNÁLAT ELŐKÉSZÜLETEI

#### **▲ FONTOS:**

Ügyeljen az üzemanyag-keverék készítésére vonatkozó előírásokra! Az előírások be nem tartása a motor meghibásodásához vezethet! Ne használjon olyan üzemanyagot, amelyet már több mint két hónapja tárol. A két hónapon túl tárolt üzemanyag-keverék problémát okozhat indításkor, és a motor gyengébb teljesítményéhez vezethet. Ha az üzemanyag-keveréket több mint két hónapig tárolta, távolítsa el, és használjon új keveréket.

#### **A munka megkezdése előtt ellenőrizendő pontok**

1. Ellenőrizze, nem lazult-e ki egy csavar, anya vagy alkatrész. A kilazult csavarokat húzza meg.
2. Ellenőrizze, nem szennyeződött-e a légszűrő. A munka megkezdése előtt a légszűrőből távolítson el minden szennyeződést.
3. Győződjön meg róla, hogy a műanyag fejevédő és a kések megfelelően rögzítve vannak-e a helyükön.
4. Győződjön meg róla, nem szökik-e az üzemanyag a tartályból.
5. Győződjön meg róla, nem sérült-e meg a kés vagy a damilfej.

## 8. A BOZÓTVÁGÓ ELINDÍTÁSA

#### **▲ FIGYELMEZTETÉS!**

- ✿ Mielőtt beindítja a motort, győződjön meg róla, hogy a vágókorong/damilfej szabadon mozog, és nem érintkezik semmilyen idegen tárggyal.
- ✿ A motor minimális fordulata mellett a vágóegységnek nem szabad forognia. Ellenkező esetben forduljon szakszervizhez, hogy ellenőrizzék, és elhárítsák a problémát.
- ✿ Mielőtt beindítja a motort, győződjön meg róla, hogy a gázkar szabadon mozog.

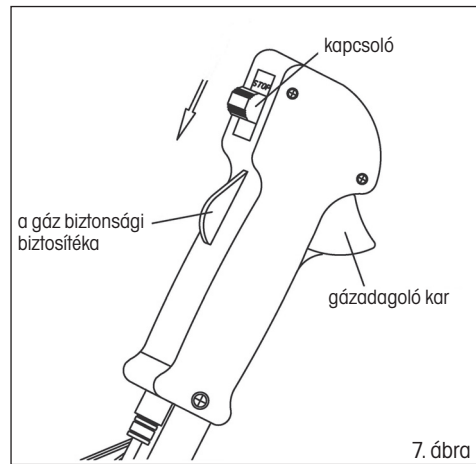
**⚠ FIGYELMEZTETÉS:** A bozótvágót mindig két kézzel tartsa. Mindig úgy álljon, hogy a teste balra legyen a tengely csövetől. Soha ne tartsa a fogantyút keresztbe tett kézzel. Ezek az utasítások a balkezesekre is vonatkoznak.

**⚠ FIGYELMEZTETÉS:** A rázkódás árthat annak, akinek a keringési rendszerével vagy idegrendszerével problémái vannak. Ha fizikai tünetek jelennek meg, például az érzéketlenedés, az érzékenység csökkenése, erőtlenség, vagy színváltozás a bőrön, forduljon orvoshoz. Ezek a tünetek általában az ujjakon, a kézen és a csuklón jelennek meg.

## A MOTOR BEINDÍTÁSA ÉS MEGÁLLÍTÁSA

### A hideg motor beindítása

1. Állítsa a kapcsolót "START" állásba. (lásd 7. ábra)
2. Nyomogassa az üzemanyag-befecskendező pumpát (5 - 10 nyomás), amíg az üzemanyag el nem jut a karburátorba. (lásd 8. ábra)
3. A hidegindító karját állítsa felfelé "OFF" állásba (= kikapcsolt légbevezetés, azaz bekapcsolt hidegindító). (lásd 8. ábra)
4. A bozótvágót támassza neki a földnek, hogy stabil legyen, és húzza meg az indítószinórt, amíg a motor fel nem pörög (a motor készül beindulni).
5. Ebben a pillanatban nyomja le a hidegindító karját "ON" állásba (= bekapcsolt légbevezetés, azaz kikapcsolt hidegindító), és az indítószinór többszöri meghúzásával indítsa be a motort.



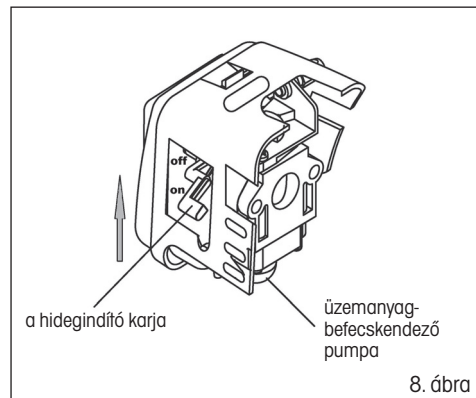
7. ábra

**⚠ FIGYELEM!** A motor túl hosszú ideig tartó forgatása OFF állásban lévő hidegindítókkal a motor elárasztása miatt problémát okoz az indításnál.

6. A munka megkezdése előtt hagyja, hogy a motor néhány perc alatt üzem hőfokra melegedjen.

### A bemelegített motor indítása

1. Állítsa a kapcsolót "START" állásba.
2. Húzza meg az indítószinórt, amíg a motor be nem indul. **NE HASZNÁLJON HIDEGINDÍTÓT!**



8. ábra



**⚠ FIGYELEM!** Ha az üzemanyagtartályból teljesen kifogyott az üzemanyag, feltöltés után A HIDEG MOTOR BEINDÍTÁSÁRA szolgáló lépéseket ismételje meg.

### A damilfej / háromágú acélkés forgásának szabályozása

- ✿ A fordulatszám növeléséhez először nyomja meg a tenyerével a gáz biztonsági biztosítékát, majd a hüvelykujjával nyomja meg a gázkezelő kart (ld. 7. ábra)
- ✿ A gázkart a félgáz rögzítésével rögzítheti (1. ábra, 6. pont)
- ✿ A fordulatszám csökkentéséhez engedje el a gázkezelő kart

### A motor megállítása

- ✿ Állítsa át a kapcsolót STOP állásba.

### ⚠ FIGYELMEZTETÉS!

A motorból származó kipufogógáz az egészségre ártalmas vegyi anyagokat tartalmaz. Soha ne lélegezze be ezt a gázt. A bozótvágót mindig épületen kívül indítsa be.

## 9. VÁGÁS

### ⚠ FIGYELMEZTETÉS!

A damilos fűnyírók vagy bozótvágók bármelyik típusának használata közben kivágódhatnak kövek, fém- vagy egyéb kisméretű tárgyak és a vágott anyag. Figyelmesen olvassa el valamennyi biztonsági előírást. Kérjük tartsa be az ebben az útmutatóban található utasításokat.

### ⚠ FIGYELMEZTETÉS!

Használjon védőeszközöket a feje, szeme, arca és hallása védelmében. Megfelelő lábbelit viseljen, amely megvédi a lábát és csúszós felületen is stabil állást biztosít. Ne viseljen nyakkendőt, ékszert vagy laza ruhadarabot, amelyeket elkaphatnak a szerszám mozgó alkatrészei. Ne viseljen nyitott orrú lábbelit. Ne dolgozzon mezítábor vagy csupasz lábszárral. Bizonyos helyzetekben teljes arc- és fejevédelmet kell használni. Vigyázzon, hogy elkerülje a visszaütést és a kés beakadását.

### ⚠ FIGYELMEZTETÉS

Mindig használja a vállpántot.

A vállpántot úgy állítsa be, hogy a fűnyíró néhány centiméterrel a talaj felett legyen. A fűnyíró feje és a fémburkolat minden irányban teljesen egy szintben legyen. A bozótvágót a teste jobb oldalára akassza.

### ⚠ VESZÉLYES ÖVEZET

A 15 M ÁTMÉRŐJŰ VESZÉLYES ÖVEZETBE A GÉP KEZELŐJÉN KÍVÜL SENKI NEM LÉPHET BE. A GÉPKEZELŐNEK MEGFELELŐ SZEM-, FÜL-, ARC-, TALP-, LÁB- ÉS TESTVÉDŐ ESZKÖZÖKET KELL HASZNÁLNI. A VESZÉLYES ÖVEZETBEN, VAGY A VESZÉLYES ÖVEZET MÖGÖTTI KOCKÁZATOS ÖVEZETBEN LEVŐ SZEMÉLYEKNEK VÉDENIÜK KELL A SZEMÜKET A KIVÁGÓDÓ TÁRGYAKTÓL. A KOCKÁZAT A VESZÉLYES ÖVEZETTŐL VALÓ TÁVOLSÁG NÖVEKEDÉSÉVEL CSÖKKEN.

## VÁGÁS NEJLONHÚROS FEJ SEGÍTSÉGÉVEL

- ✿ A damilfej AZ ÓRAMUTATÓ JÁRÁSÁVAL MEGEGYEZŐ IRÁNYBAN forog.
- ✿ **A damil kiengedése félautomatikusan történik. A vágás közben csak kissé ütögesse a fejet a földhöz, ezzel benyomódik a fej alsó részén levő gomb és kijön a damil. A damilt ezután a műanyag burkolatba beépített kés a megfelelő méretre vágja.**

### A fű levágása

- ✿ Ennél a munkánál óvatosan csúsztassa a gépet a vágni kívánt anyagba. Lassan döntse meg a fejet úgy, hogy a gép a vágott anyagot Öntől távolodó irányba dobja. Ha kerítések, falak, fák, vagy egyéb akadályok közvetlen közelében végzi a vágást, olyan szögben közelítsen, hogy minden vágott anyag Öntől távolodó irányba repüljön. Lassan mozgassa a fejet a damillal jobbról balra, amíg le nem vágta a fűvet egészen az akadályig, de ügyeljen rá, nehogy a damil az akadállyal érintkezzen.
- ✿ Drótkerítés közelében óvatosan járjon el, úgy, hogy ne érjen a drótokhoz. Ha túl közel kerül a kerítéshez, a damil a grótbá ütközve rövidebb lesz.
- ✿ Gyomok vágásakor egyesével is kivághatja a szárazakat. Helyezze a damilfejet a gyom alsó részéhez - ne a felsőhöz, mert különben a széthasadhat és a damil elakad. A gyomok közvetlen átvágása helyett inkább csak a damil végét használja és lassan vágja át a szárat.

### Csonkolás és peremek vágása

- ✿ Mindkét tevékenységet nagy szögben megdöntött damilfejjel kell végezni. A csonkolás a felső növényzet eltávolítása, ami után csak a csupasz föld marad.
- ✿ A peremek vágása az ágyások peremén levő, a járdára és az útra ránövő fű levágása.
- ✿ Csonkoláskor és a peremek vágásakor a szerszámot meredek szögben tartsa, olyan helyzetben, hogy a kemény felülethez történő ütközéskor esetleg kivágódó szennyeződések, levágott anyag és kavicsok ne hátra, Ön felé repüljenek. Ha a képek mutatják is, hogyan végezze a csonkolást és a peremek vágását, minden felhasználónak magának kell megtalálnia a testméreteinek és a munkakörülményeknek megfelelő helyzetet.

### ⚠ FIGYELMEZTETÉS

Nejlonhúros fej használata esetén a megfelelő védőburkolatot kell használni. Ha a nejlonhúr túlságosan ki van húzva, csapkodhat. Ha nejlonhúros fejet használ, mindig használjon rövidítő késsel felszerelt műanyag védőburkolatot.

### ⚠ FIGYELMEZTETÉS

Csupasz vagy kavicsos felület felett nagyon óvatosan járjon el, mert a nejlonhúr nagy sebességgel vághatja ki az apró kavicsokat.

A szerszám védőburkolata nem képes a kemény felületről visszapattonó tárgyakat megállítani.

### ⚠ FIGYELMEZTETÉS

Ne végezzen vágást olyan helyen, ahol drótok vagy drótkerítés van. Használjon biztonsági védőeszközöket. Ne végezzen vágást olyan helyeken, ahol nem láthatja, mit vág.

## VÁGÁS KÉS SEGÍTSÉGÉVEL

### A gaz lekasztálása

- ✿ Íves, lengető mozdulatokkal végzett vágásról van szó. Ezzel a módszerrel gyorsan kitisztíthatja a fűvel, gazzal benőtt területeket. Ne használja a kaszáló módszert nagy és ellenálló gyomok vagy fás növényzet vágására.
- ✿ A kaszálást végezheti mindkét irányba, vagy csak egy irányba, ami azt jelenti, hogy a levágott anyag Öntől távolodó irányba repül. Az ilyen vágáskor a késnek az a része dolgozik, amely Öntől távolodó irányban forog. Döntse meg kissé a kést ugyanarra az oldalra. Ha mindkét irányba végzi a kaszálást, szennyeződés fogja érni.

 **Megjegyzés:** Ne használja a bozótvágó kést 12 mm-nél nagyobb átmérőjű fűcskák vágására.

### FIGYELMEZTETÉS

NE ÉRJEN A KÉSSSEL A KÖVETKEZŐ TÍPUSÚ TÁRGYAKHOZ:  
FÉMO SZLOPOK, VILLANYVEZETÉKEK, GUMI, FAL, KÖVEK, KERÍTÉSEK

### FIGYELMEZTETÉS

Ne végezzen vágást, ha az acélkés tompa, repedt vagy sérült.

A vágás megkezdése előtt ellenőrizze, hogy a munkafelületen nincsenek-e akadályok, mint pl. kövek, fémoszlopok vagy összetekert drótok. Ha az ilyen akadályokat nem tudja eltávolítani, jelölje meg őket úgy, hogy ne kerüljenek érintkezésbe a késsel. A kövek vagy fémtárgyak kicsorbíthatják vagy megrongálhatják a kést. A drótok fellekeredhetnek a késfejre vagy kivágódhatnak és ezáltal sérülést okozhatnak.

# 10. KARBANTARTÁS ÉS TÁROLÁS

## A gép karbantartása

- ✿ Minden használat előtt:
  - Ellenőrizze, hogy valamennyi csavar és anya megfelelően meg van-e húzva.
  - Ellenőrizze, hogy nem folyik-e a tartályból üzemanyag.
  - A váltóművet kenje meg kenőanyaggal.
- ✿ Minden 20 óra működés után (E célból javasoljuk, hogy lépjen kapcsolatba szakszervizzel.):
  - Tisztítsa ki a légszűrőt.
  - Tisztítsa ki az üzemanyagszűrőt.
- ✿ Minden 50 óra működés után (E célból javasoljuk, hogy lépjen kapcsolatba szakszervizzel.):
  - Tisztítsa meg a gyújtógyertyát és állítsa be az elektródák közti rést 0,6 - 0,7 mm-re.
  - Távolítsa el a lerakódásokat a kipufogóból és a kipufogó fojtásából.
  - Újra szerelje le a tengelyt és kenje meg jó minőségű kenőanyaggal.
- ✿ A karbantartás elvégzése után ellenőrizze az összeszerelést, és hogy meg van-e húzva valamennyi csavar és anya.

## Szerviz

- ✿ Amennyiben a termék megvásárlása után bármilyen hibát tapasztal, vegye fel a kapcsolatot a szervizrészleggel. A termék használata során tartsa be a mellékelt használati útmutató utasításait.
- ✿ A reklamáció elutasításra kerül, ha a terméket módosította, vagy nem tartotta be a használati útmutató utasításait.

## A jótállás nem vonatkozik:

- ✿ A gép funkcionális részeinek használat közbeni természetes elhasználódására
- ✿ A gép rendes karbantartásával összefüggő szerviz-beavatkozásokra (pl. tisztítás, kenés, beállítás, stb.)
- ✿ A külső hatások (pl. éghajlati viszonyok, por, nem megfelelő használat, stb.) által okozott hibákra
- ✿ A gép leesése, ütődése és hasonlók miatti mechanikus sérülésekre, stb.
- ✿ A nem szakszerű bánásmód, túlterhelés, nem megfelelő alkatrészek, nem alkalmas szerszámok használata és hasonlók által okozott károkra. Az olyan reklamált termékek esetén, amelyek nem voltak megfelelően biztosítva a szállítás során a mechanikus sérülések ellen, az esetleges károkért kizárólag a tulajdonos felelős.

## Tárolás

**▲ FIGYELEM!** Ha a gépet hosszabb ideig nem használja, az alábbi utasítások alapján tárolja. Ezzel meghosszabbítja a gép élettartamát.

- ✿ Teljesen engedje ki az üzemanyagot a tartályból és a karburátorból. Zárja le a hidegindítót és 3-5-ször húzza meg az indítókart.
- ✿ Csavarja ki a gyújtógyertyát és a nyílásba öntsön egy kevés motorolajat. Finoman húzza meg az indítózsinórt 2-3-szor.
- ✿ Egy tiszta ronggyal tisztítsa meg a külső felületeket. A gépet tiszta és száraz helyen tárolja.

## 11. MIT TEGYEK, HA...

A motor nem indul be	Lehetséges ok	Elhárítása
1. Ellenőrizze az üzemanyagot.	A karburátorban vagy a tartályban nincs üzemanyag.	Töltsön bele üzemanyagot.
	Az üzemanyag vizet tartalmaz.	
	Az üzemanyag-keverék nem megfelelő arányú.	Ürítse ki az üzemanyagtartályt és a karburátort. Töltse fel a tartályt új üzemanyaggal.
2. Vegye ki és ellenőrizze a gyújtógyertyát.	Hibás vagy szennyezett gyújtógyertya.	Vegye ki a gyújtógyertyát
	Nem megfelelő rés az elektródák között.	
	A gyújtógyertya nedves, benzinnel szennyezett (elárasztott motor).	Szárítsa meg és szerelje vissza a gyújtógyertyát.
3. Vigye el a motort szakszervizbe vagy az eladóhoz.	Eldugult üzemanyag-szűrő, karburátor meghibásodása, gyújtás meghibásodása, eldugult szelepek stb.	Cserélje ki vagy javítsa meg a hibás alkatrészeket.

Elégtelenül működő motor	A hiba oka	Javítás
1. Ellenőrizze a légszűrőt.	Szennyeződött légszűrő.	Tisztítsa ki vagy cserélje ki a légszűrő betétjét.
2. Ellenőrizze az üzemanyagot.	Az üzemanyag vizet tartalmaz.	Ürítse ki az üzemanyagtartályt és a karburátort. Töltse fel a tartályt új üzemanyaggal.
	Az üzemanyag-keverék nem megfelelő arányú.	
3. Ellenőrizze a hidegindító beállításait és a gázvezérlést.	A hidegindító nincs teljesen kinyitva.	Módosítsa a beállítást.
	Rosszul beállított gázkábel.	
4. Vigye el a motort szakszervizbe vagy az eladóhoz.	Eldugult üzemanyag-szűrő, karburátor meghibásodása, gyújtás meghibásodása, eldugult szelepek stb.	Cserélje ki vagy javítsa meg a hibás alkatrészeket.

A motor beindul, és azonnal le is áll	Lehetséges ok	Elhárítása
1. Ellenőrizze az üzemanyagot.	Elfogyott az üzemanyag.	Töltsön bele üzemanyagot.
	Az üzemanyag vizez tartalmaz.	Ürítse ki az üzemanyagtartályt és a karburátort. Töltse fel a tartályt új üzemanyaggal.
	Az üzemanyag-keverék nem megfelelő arányú.	
2. Vegye ki és ellenőrizze a gyújtógyertyát.	Hibás vagy szennyezett gyújtógyertya.	Vegye ki a gyújtógyertyát.
	Nem megfelelő rés az elektródák között.	
3. Ellenőrizze a légszűrőt.	Szennyeződött légszűrő. Eldugult légszűrő.	Tisztítsa ki vagy cserélje ki a légszűrő betétjét.
4. Vigye el a motort szakszervizbe vagy az eladóhoz.	Eldugult légtelenítő szelep.	Cserélje ki vagy javítsa meg a hibás alkatrészeket.
	Eldugult üzemanyag-szűrő, karburátor meghibásodása, gyújtás meghibásodása, eldugult szelepek stb.	

## 12. MEGSEMMISÍTÉS

### A HASZNÁLT CSOMAGOLÓANYAGOKRA VONATKOZÓ UTASÍTÁSOK ÉS TÁJÉKOZTATÓ

A használt csomagolóanyagot az önkormányzat által kijelölt hulladékgyűjtő helyen adja le.



A gép és tartozékai különböző anyagokból, pl. fémből és műanyagból készültek.  
A sérült alkatrészeket adja le szelektív gyűjtőhelyen. Tájékozódjon az illetékes hivatalnál.



Ez a termék teljesíti az összes rá vonatkozó EU irányelv követelményeit.

Változtatások a szövegben, a kivitelen és a műszaki jellemzőkben előzetes figyelmeztetés nélkül történhetnek, a módosításra vonatkozó jog fenntartva.

Használati útmutató az eredeti nyelven.

# 13. MEGFELELŐSÉGI NYILATKOZAT

# FAST®

FAST ČR, a. s.  
Černokostecká 1621, 251 01 Říčany, Česká republika  
tel.: +420 323 204 111, fax: +420 323 204 110

## MEGFELELŐSÉGI NYILATKOZAT

**Gyártó:**

FAST ČR, a. s.  
Černokostecká 2111, 100 00 Praha 10, Cseh Köztársaság  
Adóazonosító: CZ26726548

**Termék/márka:** BENZINES BOZÓTVÁGÓ ÉS DAMILOS FÚNYÍRÓ/ FIELDMANN

**Típus/modell:** FZS 3003-B

**A motor paraméterei:** 25,4 ccm; 0,7 kW/6 500 ford./perc; max. 8500 ford./perc

**Ezt a megfelelőségi nyilatkozatot a gyártó kizárólagos felelősségére adták ki.**

**E nyilatkozat fenti tárgya megfelel az Unió vonatkozó harmonizációs jogszabályainak:**

2012/46/EK irányelv

A gépi berendezésekre vonatkozó 2006/42/EK számú irányelv

EMC 2014/30/EU irányelv

**A vonatkozó harmonizált normák és egyéb műszaki specifikáció:**

EN ISO 11806-1:2011

EN ISO 14982:2009

**A kiadás helye:** Prága

Név: Ing. Zdeněk Pech  
Az igazgatóság elnöke

**A kiadás dátuma:** 1. 4. 2017.

**Aláírás:**

**FAST®** FAST ČR, a.s. ©  
Černokostecká 1621, 251 01 Říčany  
IČO: 26726548 tel.: +420/ 323 204 111  
DIČ: CZ26726548 fax: +420/ 323 204 110

Azonosító szám: 26 72 65 48, Adóazonosító: CZ-26 72 65 48

Bank: Komerční banka Praha 1, számlaszám 89309011/0100, Česká spořitelna Praha 4, számlaszám 2375682/0800,  
ČSOB Praha 1, számlaszám 8010-0116233383/0300



## 14. MŰSZAKI ADATOK

Modell .....	FZS 3003 B
Hengertérfogat .....	25,4 cm <sup>3</sup>
A motor maximális teljesítménye .....	0,70 kW
A tengely hossza .....	1500 mm
A motor típusa .....	kétütemű léghűtéses
Ajánlott maximális forgási sebesség terhelés nélkül .....	8500 ford/perc
A damil átmérője .....	2,4 mm
Gyújtógyertya .....	L6 (LD)
Az üzemanyagtartály térfogata .....	800 ml
Az üzemanyag-keverék aránya (kétütemű motorba való olaj/Natural 95) .....	1:25
Üzemanyag és vágóegységek nélküli tömeg .....	6,6 kg
LWA által garantált akusztikai teljesítményszint .....	112 dB(A)
Akusztikai nyomásszint, maximális LPA <sub>av</sub> .....	94,5 dB (A)
Rezgés kibocsátás szintje - damilfej, bal fogantyú .....	8,9 m/s <sup>2</sup>
Rezgés kibocsátás szintje - damilfej, jobb fogantyú .....	9,8 m/s <sup>2</sup>
Rezgés kibocsátás szintje - háromágú kés, bal fogantyú .....	4,5 m/s <sup>2</sup>
Rezgés kibocsátás szintje - háromágú kés, bal fogantyú .....	3,7 m/s <sup>2</sup>
Eltérés .....	K = 1,5 m/s <sup>2</sup>



# Podkaszarka spalinowa

## INSTRUKCJA OBSŁUGI

**Dziękujemy Państwu za dokonanie zakupu tej podkaszarki spalinowej. Zanim zaczniesz z niej korzystać, przeczytaj uważnie niniejszą instrukcję obsługi i zachowaj ją do wglądu.**

### SPIS TREŚCI

1. OGÓLNE ZASADY BEZPIECZEŃSTWA .....	93
Ważne ostrzeżenia dotyczące bezpieczeństwa .....	93
Opakowanie.....	93
Instrukcja obsługi.....	93
2. WYJAŚNIENIE TABLICZEK ZE WSKAZÓWKAMI ZNAJDUJĄCYCH SIĘ NA MASZYNI .....	94
3. WSKAZÓWKI DOTYCZĄCE UŻYCIA.....	95
Instrukcja bezpieczeństwa.....	95
Instrukcja bezpieczeństwa – paliwo.....	95
Instrukcja bezpieczeństwa – narzędzia tnące .....	96
4. OPIS URZĄDZENIA.....	97
Zawartość opakowania .....	97
5. MONTAŻ.....	98
Montaż głowicy żyłkowej .....	99
Uzupełnianie żyłki w głowicy żyłkowej.....	99
Montaż stalowej tarczy trójzębnej.....	100
6. PRZYGOTOWANIE MIESZANKI PALIWOWEJ.....	100
Przechowywanie paliwa.....	101
7. PRZYGOTOWANIE DO UŻYTKU .....	101
Punkty kontrolowane przed rozpoczęciem pracy.....	101
8. URUCHAMIANIE PODKASZARKI .....	101
Postępowanie podczas włączania i zatrzymywania silnika .....	102
Uruchamianie zimnego silnika .....	102
Uruchamianie rozgrzanego silnika.....	102
Regulacja obrotów głowicy żyłkowej / stalowej tarczy trójzębnej.....	103
Zatrzymanie silnika .....	103
9. KOSZENIE .....	103
Koszenie za pomocą głowicy z żyłką nylonową.....	104
Przycinanie trawy .....	104
Skalpowanie i podkaszanie krawędzi .....	104
Koszenie za pomocą noża .....	105
Koszenie chwastów .....	105

10. KONSERWACJA I PRZECHOWYWANIE .....	106
Konserwacja urządzenia .....	106
Serwis .....	106
Gwarancja nie dotyczy:.....	106
Przechowywanie .....	106
11. CO ZROBIĆ, JEŻELI... .....	107
12. LIKWIDACJA.....	109
13. DEKLARACJA ZGODNOŚCI.....	110
14. DANE TECHNICZNE .....	111

# 1. OGÓLNE ZASADY BEZPIECZEŃSTWA

## Ważne instrukcje dotyczące bezpieczeństwa

- ✿ Starannie rozpakuj wyrób, zwracając uwagę, by nie wyrzucić żadnej części materiału opakowaniowego, zanim nie znajdziesz wszystkich elementów produktu.
- ✿ Przechowuj wyrób w suchym miejscu z dala od dzieci.
- ✿ Przeczytaj wszystkie uwagi i wskazówki. Nieprzestrzeganie ostrzeżeń i wskazówek może spowodować porażenie prądem elektrycznym, pożar lub ciężkie obrażenia.

## Opakowanie

Wyrób został umieszczony w opakowaniu chroniącym je przed uszkodzeniem podczas transportu. Opakowanie to jest surowcem i dlatego podlega recyklingowi.

## Instrukcja obsługi

Zanim rozpoczniesz pracę z urządzeniem, przeczytaj następujące zasady bezpieczeństwa i wskazówki dotyczące użytkowania. Zapoznaj się z elementami sterowania i prawidłowym użyciem urządzenia. Instrukcję należy starannie zachować do wglądu. Co najmniej w okresie gwarancyjnym zalecamy zachowanie oryginalnego opakowania łącznie z wewnętrznym materiałem opakowaniowym, dokument kasowy i kartę gwarancyjną. W razie transportu zapakuj maszynę z powrotem do oryginalnego pudełka dostarczonego przez producenta, zapewniając w ten sposób maksymalną ochronę produktu podczas ewentualnego transportu (np. przeprowadzki lub wysyłki do serwisu).

 **Uwaga:** Jeśli przekazujesz maszynę innym osobom, przekaz ją razem z instrukcją.

Przestrzeganie załączonej instrukcji obsługi stanowi założenie prawidłowego użycia urządzenia. Instrukcja obsługi zawiera również wskazówki dotyczące obsługi, konserwacji i naprawy.

**Producent nie ponosi odpowiedzialności za wypadki lub szkody powstałe na skutek nieprzestrzegania niniejszej instrukcji.**

## 2. WYJAŚNIENIE TABLICZEK ZE WSKAZÓWKAMI ZNAJDUJĄCYCH SIĘ NA MASZYNIE



Przed użyciem przeczytaj dokładnie instrukcję.



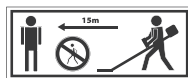
Podczas pracy należy używać ochraniaczy.



Ogólne ostrzeżenie przed niebezpieczeństwem!



Uwaga, odrzut!



Utrzymuj osoby trzecie (w szczególności dzieci) oraz zwierzęta w odległości min 15 m od powierzchni roboczej.

## 3. WSKAZÓWKI DOTYCZĄCE UŻYCIA

### Wskazówki bezpieczeństwa

#### Czytaj uważnie!

- ✿ Noś zawsze kask bezpieczeństwa, rękawice i odzież ochronną (z nogawkami antyprzebieciowymi), rękawice i obuwie ochronne.
- ✿ Przechowuj maszynę z dala od dzieci.
- ✿ Nigdy nie uruchamiaj silnika, jeśli w zbiorniku paliwa znajduje się wyłącznie benzyna.
- ✿ Nigdy nie dolewaj paliwa przy uruchomionym lub gorącym silniku. Dolewaj paliwo wyłącznie przy zimnym silniku.
- ✿ Przechowuj paliwo w zamkniętym opakowaniu w suchym i chłodnym miejscu.
- ✿ Przestrzegaj przepisów bezpieczeństwa.
- ✿ Przed każdym użyciem sprawdź przestrzeń roboczą. Usuń przedmioty, które mogłyby zostać odrzucone lub zaklinowane w urządzeniu.
- ✿ Podczas pracy wszystkie osoby trzecie powinny się znajdować w odległości co najmniej 15 metrów.
- ✿ Nigdy nie korzystaj z urządzenia bez założonej pokrywy ochronnej (noża tnącego).
- ✿ Nigdy nie napełniaj zbiornika paliwa do samego końca.
- ✿ Należy dokładnie dokręcić korek zbiornika paliwa, aby nie dopuścić do wycieku paliwa.
- ✿ Nie pozwól, by urządzenie pracowało na pełnych obrotach, jeśli zbiornik paliwa jest pusty. Nigdy nie wyłączaj urządzenia gwałtownie, jeśli pracuje na pełnych obrotach.
- ✿ Jeśli urządzenie jest w dowolny sposób uszkodzone, nie używaj go. Skontaktuj się z wykwalifikowanym serwisem.
- ✿ Podczas przenoszenia przytrzymuj całe urządzenie. Trzymanie urządzenia za zbiornik paliwa jest niebezpieczne, może dojść do jej uszkodzenia i wybuchu pożaru.
- ✿ Zawsze trzymaj podkaszarkę obiema rękami.
- ✿ Nie kładź gorącej podkaszarki na suchą trawę.
- ✿ Podczas pracy z urządzeniem nie wolno palić papierosów.

### Wskazówki bezpieczeństwa

#### Paliwo

- ✿ Zbiornik paliwa powinien być pusty podczas transportu.
- ✿ Paliwo należy przewozić wyłącznie w zalecanych kanistrach.
- ✿ Sprawdzaj regularnie korek zbiornika paliwa. Musi być dokręcony i nie należy dopuścić do wycieku paliwa.
- ✿ Chroń środowisko naturalne: uważaj, aby nie doszło do wycieku paliwa i zanieczyszczenia gleby.
- ✿ uruchamiaj maszynę w odległości co najmniej 3 metrów od miejsca, w którym dolewałeś paliwo.
- ✿ Nigdy nie dolewaj paliwa w pomieszczeniu zamkniętym. W pomieszczeniu należy zapewnić dostateczną wentylację - niebezpieczeństwo wybuchu.
- ✿ Nie wdychaj oparów paliwa. Dolewaj paliwo w rękawicach ochronnych.
- ✿ Regularnie wymieniaj i czyść odzież ochronną.

## Wskazówki bezpieczeństwa

### Narzędzia tnące

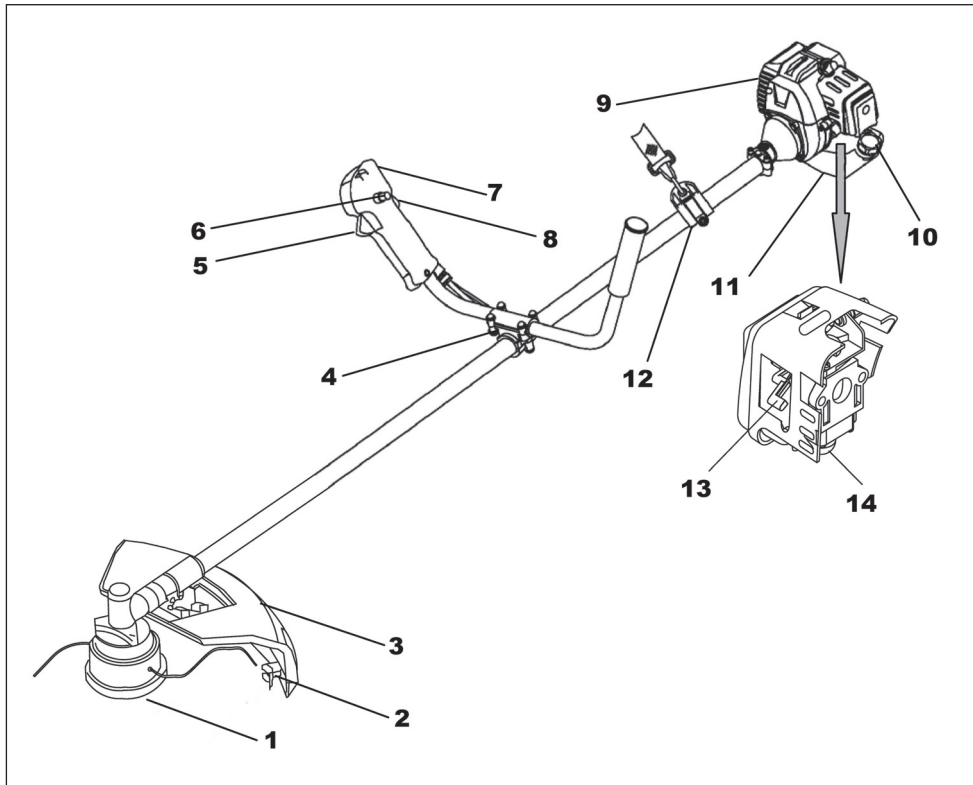
- \* Podczas montażu narzędzia tnącego sprawdź stan noża. Jeśli jest on uszkodzony (pęknięty, zgięty, złamany itp.), wymień go.
- \* Po instalacji noża sprawdź, czy otwór w nożu jest wyrównany z ramieniem podnośnika noża.
- \* Rozkręć nóż. Sprawdź, czy nóż nie ma tendencji obracać się z przerwami.
- \* Sprawdź, czy montujesz nóż z ostrzem zgodnie z kierunkiem obrotów. Nigdy nie montuj go odwrotnie.
- \* Sprawdź, czy narzędzie tnące zostało zamontowane prawidłowo, obracając je bez obciążenia (wystarczy przez 1 minutę).
- \* Należy wybrać nóż odpowiedni do danego materiału.
- \* Podczas pracy nigdy nie naciskaj nożem na przedmioty. Przedmioty należy ciąć z umiarkowaną prędkością.
- \* Jeśli podczas pracy usłyszysz niestandardowy dźwięk lub jeśli urządzenie zacznie się trząść, zakończ pracę i sprawdź, jaka jest przyczyna.
- \* Nie zatrzymuj urządzenia, jeśli nóż znajduje się w ciętym obiekcie. Ryzyko obrażeń i uszkodzenia urządzenia.  
Narzędzie tnące musi być ostnione odpowiednią pokrywą.

**⚠ UWAGA!** Przy nieprzestrzeganiu instrukcji grozi niebezpieczeństwo poważnych a nawet śmiertelnych obrażeń osób!

- \* Zapoznaj wszystkie osoby pracujące z tym urządzeniem z jego obsługą i instrukcją bezpieczeństwa.



## 4. OPIS URZĄDZENIA



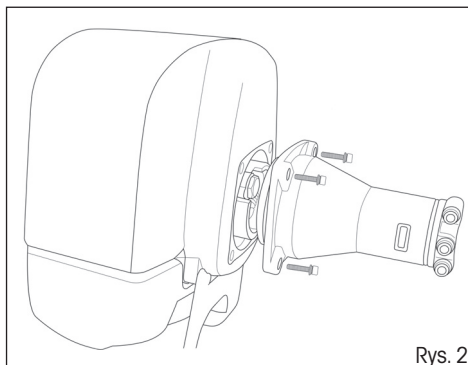
- |                                    |                            |
|------------------------------------|----------------------------|
| 1. Półautomatyczna głowica żytkowa | 9. Silnik                  |
| 2. Nóż do przycinania żytki        | 10. Korek zbiornika paliwa |
| 3. Plastikowa pokrywa ochronna     | 11. Zbiornik paliwa        |
| 4. Uchwyt                          | 12. Uchwyt paska na ramię  |
| 5. Dźwignia gazu                   | 13. Dźwignia ssania        |
| 6. Blokada gazu                    | 14. Pompka wtrysku paliwa  |
| 7. Wyłącznik                       |                            |
| 8. Bezpiecznik gazu                |                            |

### Zawartość opakowania:

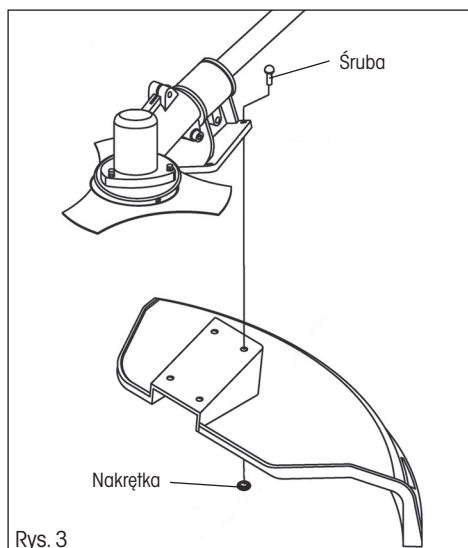
Głowica żytkowa, stalowy nóż trójzębny, pasek na ramię, skalibrowany pojemnik do przygotowania mieszanki paliwowej, zapasowa świeca zapłonowa, klucz sześciokątny 4mm, klucz sześciokątny 5mm, 4x śruba z łbem sześciokątnym 5mm, 4x śruba z łbem sześciokątnym 4mm z nakrętką (zamontowana na uchwycie plastikowej pokrywy), 2x taśma mocująca, śrubokręt, klucz płaski 8/10, klucz rurkowy ze śrubokrętem krzyżakowym.

## 5. MONTAŻ

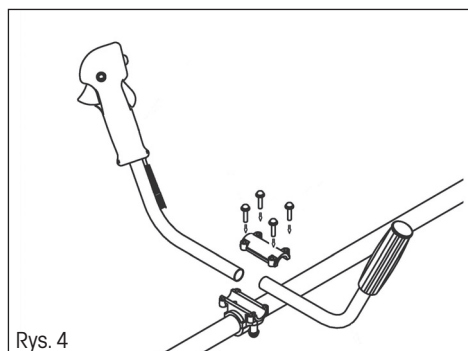
- ✿ Za pomocą czterech dołączonych śrub przymocuj silnik podkaszarki do wału (por. rys. 2).
- ✿ Za pomocą dołączonych śrub i nakrętek zamontuj na wale pokrywę ochronną (por. rys. 3)
- ✿ Zamontuj rękojeść na uchwycie (por. rys. 4). Rękojeść można przesuwając po wale. Dzięki temu można wybrać optymalną pozycję do komfortowej pracy. Po wybraniu najlepszej pozycji roboczej dokręć śruby. Zabezpiecz kabel doprowadzający za pomocą dołączonych taśm ściągających.



Rys. 2



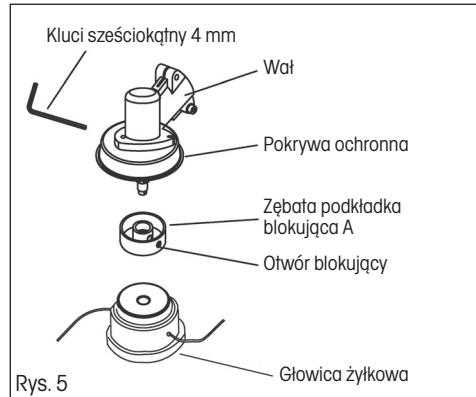
Rys. 3



Rys. 4

### Montaż głowicy żyłkowej

- ✿ Zablokuj wał za pomocą dołączonego klucza sześciokątnego 4mm (por. rys. 5). W tym celu należy wyrównać otwór w pokrywie ochronnej z otworem w wale i wsunąć klucz sześciokątny. Aby wyrównać otwory, przekreślaj pokrywę ochronną.
- ✿ Zamontuj poszczególne części w następującej kolejności:
  1. zębata podkładka blokująca A (zawierająca również otwór umożliwiający blokadę)
  2. głowica żyłkowa
- ✿ Nakręć głowicę żyłkową na wał w kierunku przeciwnym do kierunku ruchu wskazówek zegara (uwaga odwrotny gwint) i mocno ją dokręć.
- ✿ Wyjmij klucz sześciokątny z otworu blokującego.

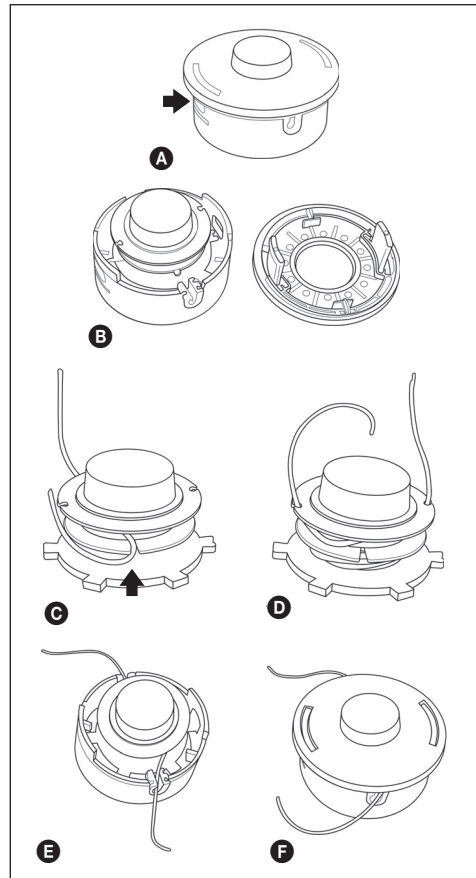


### Uzupełnianie żyłki w głowicy żyłkowej

1. Wciśnij zatrzaski blokujące pokrywę znajdujące się z boku głowicy i zdejmij pokrywę (por. rys. A i B).
2. Wyjmij szpulę z głowicy żyłkowej. Przygotuj ok. 2-3 m żyłki o średnicy 2,4 mm.
3. Zegnij żyłkę w połowie i umieść zgięte miejsce w koleinie (por. rys. C).
4. Następnie nawiń jednocześnie oba końce na szpulę w kierunku zgodnym z ruchem wskazówek zegara. Wsuń końce nawiniętej żyłki do przygotowanych otworów (por. rys. D).
5. Umieść z powrotem szpulę w głowicy żyłkowej i zabezpiecz ją pokrywą (por. rys. E i F).

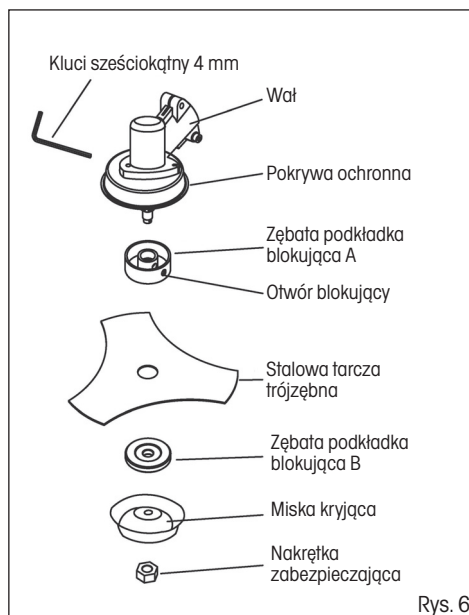
### ⚠ OSTRZEŻENIE!

Korzystaj wyłącznie z wysokiej jakości żyłki nylonowej o średnicy 2,4 mm. Zamiast nylonowej żyłki nie używaj nigdy drutu ani żyłki wzmocnionej drutem. Używaj wyłącznie oryginalnej głowicy żyłkowej.



### Montaż stalowej tarczy trójzębnej

- ✿ Zablokuj wał za pomocą dołączonego klucza sześciokątnego 4mm (por. rys. 6). W tym celu należy wyrównać otwór w pokrywie ochronnej z otworem w wale i wsunąć klucz sześciokątny. Aby wyrównać otwory, przekreślaj pokrywę ochronną.
- ✿ Zamontuj poszczególne części w następującej kolejności:
  1. zębata podkładka blokująca A (zawierająca również otwór umożliwiający blokadę)
  2. stalowa tarcza trójzębna
  3. podkładka blokująca B
  4. miska zakrywająca
  5. nakrętka zabezpieczająca
- ✿ Upewnij się, że tarcza jest prawidłowo osadzona na części ograniczającej zębatą podkładki blokującej A
- ✿ Przy pomocy załączonego klucza nasadowego dokręć nakrętkę mocującą nóż w kierunku przeciwnym do kierunku ruchu wskazówek zegara (uwaga odwrotny gwint) z odpowiednią siłą, aby zapewnić bezpieczną pracę.
- ✿ Wyjmij klucz sześciokątny z otworu blokującego.



Rys. 6

### ⚠ OSTRZEŻENIE!

JEŚLI DOJDZIE DO NADMIERNYCH WIBRACJI, NATYCHMIAST ZATRZYMAJ SILNIK.

Nadmierne wibracje tarczy oznaczają, że nie została ona prawidłowo zamontowana. Natychmiast zatrzymaj silnik i skontroluj tarczę.

Nieprawidłowo zamontowana tarcza może spowodować obrażenia.

Podczas dokonywania konserwacji i serwisu tego produktu korzystaj wyłącznie z oryginalnego wyposażenia.

## 6. PRZYGOTOWANIE MIESZANKI PALIWOWEJ

### ⚠ OSTRZEŻENIE!

- ✿ Nigdy nie dolewaj paliwa do zbiornika w zamkniętym, nie wentylowanym pomieszczeniu.
- ✿ Nie dolewaj paliwa w pobliżu otwartego ognia lub źródła iskrzenia.
- ✿ Nie przepelniaj zbiornika. Przed uruchomieniem silnika wytrzyj wszystkie resztki rozlanego paliwa.
- ✿ Jeśli silnik jest gorący, NIE DOLEWAJ PALIWA.

✿ **W tym typie silnika dwusuwowego używana jest mieszanka benzyny bezołowiowej i oleju do silników dwusuwowych w proporcjach 25 : 1.**

⚠ **UWAGA!** Mieszanka paliwowa przygotowana z użyciem innych proporcji niż 25 : 1 może spowodować uszkodzenie silnika. Upewnij się, czy mieszanka została przygotowana prawidłowo.

- ✿ Do przygotowania mieszanki benzyny z olejem silnikowym do silników dwusuwowych używaj wyłącznie benzyny nie zawierającej ETANOLU ani METANOLU (typy alkoholu).
- ✿ Korzystaj z wysokiej jakości benzyny z liczbą oktanową 95 lub wyższym. Dzięki temu zapobiegiesz ewentualnemu uszkodzeniu systemu paliwowego i innych części silnika.  
W celu przygotowania mieszanki paliwa zalecamy skorzystać ze skalibrowanego pojemnika znajdującego się w zestawie podkaszarki. **NIE MIESZAJ BENZYNY Z OLEJEM BEZPOŚREDNIO W ZBIORNIKU PALIWA.**

### Przechowywanie paliwa

Paliwo należy przechowywać wyłącznie w czystym, bezpiecznym i zatwierdzonym kanistrze. Zapoznaj się z lokalnymi przepisami dotyczącymi typów kanistrów z paliwem oraz zasad ich umieszczania i przestrzegaj ich.

#### **⚠ WAŻNE**

Paliwo do silników dwusuwowych może ulec separacji. Przed każdym użyciem należy dokładnie wstrząsnąć kanistrem z paliwem.

Przechowywane paliwo starzeje się. Nie mieszaj większej ilości paliwa niż zużyjesz w ciągu jednego miesiąca.

## 7. PRZYGOTOWANIE DO UŻYTKU

#### **⚠ WAŻNE:**

Przestrzegaj zaleceń dotyczących przygotowania mieszanki paliwowej! Nieprzestrzeganie zaleceń może doprowadzić do uszkodzenia silnika! Nie używaj paliwa, które było przechowywane ponad dwa miesiące. Mieszanka paliwa, która była przechowywana ponad dwa miesiące powoduje problemy podczas uruchamiania silnika i jego niższą efektywność. Jeśli mieszanka była przechowywana dłużej niż dwa miesiące, należy ją usunąć i użyć nowego paliwa.

#### **Punkty kontrolowane przed rozpoczęciem pracy**

1. Sprawdź, czy nie doszło do poluzowania śrub, nakrętek i elementów montażowych. Dokręć poluzowane śruby.
2. Sprawdź, czy filtr powietrza nie jest zanieczyszczony. Przed rozpoczęciem pracy usuń z filtru powietrza wszystkie zanieczyszczenia.
3. Upewnij się, czy plastikowa osłona głowicy lub tarczy jest prawidłowo przymocowana na swoim miejscu.
4. Upewnij się, czy nie dochodzi do wycieków ze zbiornika paliwa.
5. Upewnij się, czy nie doszło do uszkodzenia tarczy lub głowicy żyłkowej.

## 8. URUCHAMIANIE PODKASZARKI

#### **⚠ OSTRZEŻENIE!**

- ✿ Przed uruchomieniem silnika upewnij się, czy tarcza tnąca/głowica żyłkowa porusza się swobodnie i czy nie dotyka żadnego przedmiotu obcego.
- ✿ Narzędzie tnące nie powinno się obracać przy minimalnych obrotach silnika. W przeciwnym wypadku należy skontaktować się z autoryzowanym serwisem w celu dokonania kontroli i usunięcia problemu.
- ✿ Przed uruchomieniem silnika upewnij się, czy dźwignia gazu porusza się swobodnie.

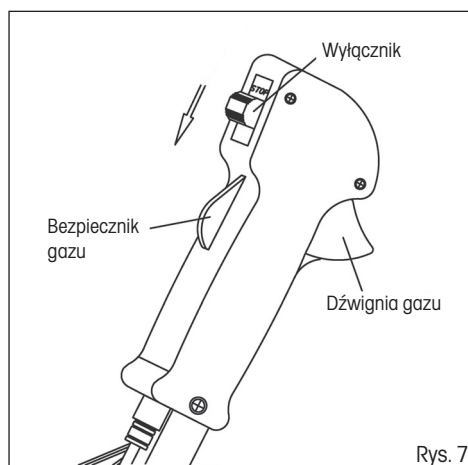
**UWAGA:** Trzymaj mocno podkaszarkę obiema rękami. Stój zawsze tak, aby Twoje ciało znajdowało się na lewo od rurki wału. Nigdy nie trzymaj rękojeści skrzyżowanymi rękami. Zasada ta dotyczy również osób leworęcznych.

**UWAGA:** Narażenie się na wibracje może spowodować problemy zdrowotne u osób cierpiących na choroby układu krążenia lub układu nerwowego. W przypadku pojawienia się takich objawów jak drętwienie, obniżenie wrażliwości, obniżenie normalnej siły lub zmiany zabarwienia skóry, należy zwrócić się o pomoc do lekarza. Objawy te dotyczą zazwyczaj palców, rąk lub nadgarstków.

## POSTĘPOWANIE PODCZAS WŁĄCZANIA I ZATRZYMYWANIA SILNIKA

### Uruchamianie zimnego silnika

1. Ustaw wyłącznik w pozycji „START”. (por. rys. 7)
2. Wciskaj pompkę wtrysku paliwa (5 do 10 razy) do momentu przedostania się paliwa do gaźnika. (por. rys. 8)
3. Przełącz dźwignię ssania w górę na pozycję „OFF” (= odcięty dopływ powietrza, tzn. włączone ssanie). (por. rys. 8)
4. Oprzyj podkaszarkę o ziemię tak, aby była stabilna i ciągnij za rękojeść linki rozrusznika, dopóki nie dojdzie do obrotów silnika (silnik będzie próbował się uruchomić).
5. W tym momencie wciśnij dźwignię ssania na dół na pozycję „ON” (= otwarty dopływ powietrza, tzn. ssanie jest wyłączone) i poprzez kilkakrotne pociągnięcie na linkę rozrusznika uruchom silnik.



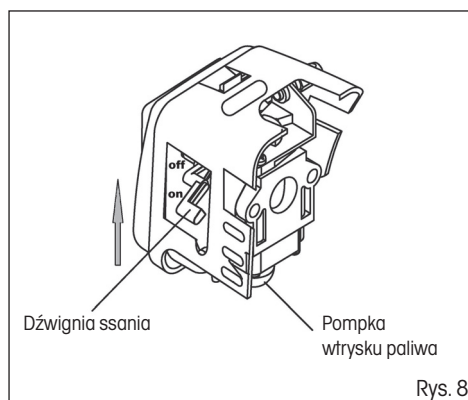
Rys. 7

**UWAGA!** Zbyt długi czas obrotów silnika przy jednoczesnym umieszczeniu dźwigni ssania w pozycji OFF spowoduje zalanie silnika i problemy z jego uruchomieniem.

6. Przed rozpoczęciem pracy rozgrzewaj silnik przez kilka minut do temperatury roboczej.

### Uruchamianie rozgrzanego silnika

1. Ustaw wyłącznik w pozycji „START”.
2. Ciągnij za rękojeść linki rozrusznika, dopóki nie dojdzie do uruchomienia silnika. **NIE UŻYWAJ SSANIA!**



Rys. 8

**⚠ UWAGA!** Jeśli doszło do całkowitego zużycia paliwa ze zbiornika, w celu dolania paliwa powtórz kroki opisane w części URUCHAMIANIE ZIMNEGO SILNIKA.

### Regulacja obrotów głowicy żyłkowej / stalowej tarczy trójębnej

- ✿ Aby podwyższyć liczbę obrotów, wciśnij najpierw dłońią bezpiecznik gazu, a następnie wciśnij kciukiem dźwignię gazu (por. rys. 7).
- ✿ Dźwignię gazu można zablokować za pomocą blokady gazu (rys. 1, punkt 6).
- ✿ Aby obniżyć liczbę obrotów, zwolnij dźwignię gazu.

### Zatrzymanie silnika

- ✿ Przełącz wyłącznik na pozycję STOP.

### ⚠ OSTRZEŻENIE!

Gazy spalinowe silnika zawierają substancje chemiczne szkodliwe dla zdrowia. Nigdy nie wdychaj tych gazów. Zawsze uruchamiaj podkaszarkę poza budynkiem.

## 9. KOSZENIE

### ⚠ OSTRZEŻENIE!

Podczas pracy z wszelkimi modelami kosiarek lub podkaszarek żyłkowych może dojść do odrzucenia kamieni, małych przedmiotów lub skoszonego materiału. Przeczytaj dokładnie wszystkie przepisy dotyczące bezpieczeństwa.

Przeznaczaj wskazówek podanych w niniejszej instrukcji obsługi.

### ⚠ OSTRZEŻENIE!

Korzystaj z ochrony głowy, wzroku, twarzy i słuchu. Używaj odpowiedniego obuwia chroniącego nogi i zapewniającego stabilność na śliskich powierzchniach. Nie noś krawatów, biżuterii lub luźnej odzieży, która mogłaby zostać wciągnięta przez ruchome części narzędzi. Nie noś obuwia z otwartymi czubkami. Nie pracuj na bosą lub z gołymi nogami. W pewnych sytuacjach należy korzystać z całkowitej ochrony twarzy i głowy. Uważaj, aby nie doszło do odrzutu i zaklinowania noża.

### ⚠ OSTRZEŻENIE

Korzystaj zawsze z paska na ramię.

Ustaw pasek i uchwyt paska na narzędzia tak, aby podkaszarka była zawieszona kilka centymetrów nad powierzchnią terenu. Głowica podkaszarki i metalowa pokrywa muszą być w każdym kierunku wyrównane. Zawieś podkaszarkę po prawej stronie ciała.

### ⚠ STREFA ZAGROŻENIA

W STREFIE ZAGROŻENIA O PROMIENIU 15 METRÓW NIE MOGĄ SIĘ ZNAJDOWAĆ ŻADNE OSOBY Z WYJĄTKIEM OBSŁUGI. OBSŁUHA MUSI KORZYSTAĆ Z ODPOWIEDNIEJ OCHRONY WZROKU, SŁUCHU, TWARZY, STÓP, NÓG I CIAŁA. OSOBY ZNAJDUJĄCE SIĘ W STREFIE ZAGROŻENIA LUB STREFIE RYZYKA ZNAJDUJĄCE SIĘ ZA STREFĄ ZAGROŻENIA MUSZĄ KORZYSTAĆ Z OCHRONY WZROKU ZABEZPIECZAJĄCEJ JE PRZEZ ODRZUCANYMI PRZEDMIOTAMI. RYZYKO MALEJE WRAZ ZE WZROSTEM ODLEGŁOŚCI OD STREFY ZAGROŻENIA.

## KOSZENIE ZA POMOCĄ GŁOWICY Z ŻYŁKĄ NYLONOWĄ

- ✿ Głowica z żyłką obraca się W KIERUNKU ZGODNYM Z RUCHEM WSKAZÓWEK ZEGARA.
- ✿ **Przesuwanie żyłki dokonuje się półautomatycznie. Podczas koszenia wystarczy delikatnie stuknąć głowicą w ziemię, dzięki czemu dojdzie do wciśnięcia przycisku znajdującego się na spodzie głowicy i wysunięcia żyłki. Żyłka zostanie następnie skrócona na maksymalną dopuszczalną długość za pomocą noża znajdującego się w plastikowej osłonie.**

### Przycinanie trawy

- ✿ Podczas tej czynności delikatnie przysuń podkaszarkę do materiału, który chcesz kosić. Powoli pochyl głowicę tak, aby skoszony materiał był odrzucany w kierunku od Ciebie. Jeśli kosić aż do przeszkód takich jak płoty, ściany i drzewa, zbliżaj się do nich pod takim kątem, aby cały skoszony materiał był wyrzucany w kierunku od Ciebie. Powoli poruszaj głowicą z żyłką nylonową z prawej strony do lewej, dopóki trawa nie zostanie skoszona aż do przeszkody, nie dopuszczając jednocześnie do tego, aby żyłka dotknęła przeszkody.
- ✿ Podczas koszenia w pobliżu drucianego płotu lub ogrodzenia postępuj ostrożnie tak, aby nie dotykać drutów. Jeśli przekroczysz minimalną odległość od płotu, żyłka po uderzeniu w drut zostanie skrócona.
- ✿ Podczas skoszenia chwastów możesz kosić jedną łodygę po drugiej. Umieść głowicę podkaszarki żyłkowej przy spodniej części chwasta - nigdy przy górnej części, ponieważ mogłoby dojść do drgania łodygi i uchwycenia żyłki. Nie dokonuj bezpośredniego koszenia chwastów, ale używaj raczej końca żyłki i przecinaj łodygę powoli.

### Skalpowanie i podkaszanie krawędzi

- ✿ Obie z tych czynności należy wykonywać za pomocą głowicy z nylonową żyłką pochyloną pod dużym kątem. Skalpowanie to usuwanie górnych części roślin, po którym pozostaje wyłącznie goła ziemia.
- ✿ Podkaszanie krawędzi to koszenie trawy na krawędziach grządek, które sięgają na chodniki i drogi.
- ✿ Podczas skalpowania i podkaszania krawędzi należy trzymać narzędzia pod kątem ostrym w pozycji, w której zanieczyszczenia, skoszony materiał i kamienie nie będą odrzucane w Twoim kierunku, jeśli dojdzie do ich odbicia od twardej powierzchni. Pomimo tego że rysunki pokazują, jak dokonywać skalpowania i podkaszania krawędzi, każdy użytkownik musi znaleźć sam taką pozycję, która będzie najbardziej odpowiadać proporcjom jego ciała i warunkom pracy.

### ⚠ OSTRZEŻENIE

Jeśli korzystasz z głowicy z nylonową żyłką, należy założyć na narzędzie odpowiednią pokrywę ochronną. Jeśli żyłka nylonowa jest wysunięta zbyt mocno, może dojść do jej drgania. Jeśli korzystasz z głowicy z nylonową żyłką, używaj zawsze plastikowej pokrywy ochronnej z nożem przycinającym.

### ⚠ OSTRZEŻENIE

Podczas pracy wykonywanej nad gołą powierzchnią lub nad żwirem zachowaj szczególną ostrożność, ponieważ nylonowa żyłka może z dużą prędkością odrzucać drobne kamyczki. Pokrywa ochronna na tym urządzeniu nie może zatrzymać przedmiotów, które odbijają się od twardych powierzchni.

### ⚠ OSTRZEŻENIE


Nie dokonuj koszenia w miejscach, gdzie znajdują się druty lub siatka druciana. Należy korzystać z środków ochrony. Nie dokonuj koszenia w miejscach, w których nie można zobaczyć, co zostanie skoszone.



## KOSZENIE ZA POMOCĄ NOŻA

### Koszenie chwastów

- ✿ Jest to koszenie za pomocą ruchu wahadłowego noża dokonywane po łuku. W ten sposób możesz szybko wyczyścić powierzchnie pokryte trawą i chwastami. Z tego sposobu koszenia nie należy korzystać podczas koszenia dużych i odpornych chwastów lub roślinności drzewiastej.
- ✿ Koszenia można dokonywać w obu kierunkach lub tylko w jednym kierunku, co będzie oznaczać, że skoszony materiał będzie odrzucony w kierunku od Ciebie. Podczas takiego koszenia będzie pracować ta część noża, która obraca się w kierunku od Ciebie. Pochyl noż lekko w dół w tę samą stronę. Jeśli będziesz dokonywać koszenia w obu kierunkach, przedostaną się na Ciebie niektóre zanieczyszczenia.

 **Uwaga:** Nie używaj noża do zarośli w celu koszenia drzewek o średnicy przekraczającej 12 mm.

### OSTRZEŻENIE

NIE DOTYKAJ NOŻEM PRZEDMIOTÓW NASTĘPUJĄCEGO TYPU:  
METALOWE SŁUPKI, PRZEWODY ELEKTRYCZNE, GUMA, MUR, KAMIENIE, PŁOTY.

### OSTRZEŻENIE

Nie dokonuj koszenia, jeśli stalowa tarcza jest tępa, pęknięta lub uszkodzona. Przed rozpoczęciem koszenia sprawdź, czy na powierzchni roboczej nie znajdują się żadne przeszkody, jak np. kamienie, metalowe słupki lub zwinione druty. Jeśli nie możesz usunąć tych przeszkód, oznacz je tak, aby nie doszło do ich kontaktu z nożem. Kamienie lub przedmioty metalowe spowodują śiępienie lub uszkodzenie noża. Druty mogą się owinąć wokół głowicy noża lub mogą zostać odrzucone i spowodować obrażenia.

# 10. KONSERWACJA I PRZECHOWYWANIE

## Konserwacja urządzenia

- ✿ Przed każdym uruchomieniem:
  - Sprawdź, czy wszystkie śruby i nakrętki są dokręcone.
  - Sprawdź, czy paliwo nie wycieka ze zbiornika.
  - Nanieś smar na skrzynię zmiany biegów.
- ✿ Po każdych 20 godzinach pracy. (W tym celu zalecamy skontaktowanie się z autoryzowanym serwisem.):
  - Wyczyść filtr powietrza.
  - Wyczyść filtr paliwa.
- ✿ Po każdych 50 godzinach pracy. (W tym celu zalecamy skontaktowanie się z autoryzowanym serwisem.):
  - Wyczyść świecę zapłonową i ustaw odstęp pomiędzy elektrodami na odległość 0,6–0,7 mm.
  - Usuń osady z rury wydechowej i tłumika rury.
  - Zdemontuj wał i nasmaruj go wysokiej jakości smarem.
- ✿ Sprawdź montaż po wykonaniu konserwacji i skontroluj dokręcenie wszystkich śrub i nakrętek.

## Serwis

- ✿ Jeśli po nabyciu produktu odkryjesz w nim jakąkolwiek wadę, skontaktuj się z wydziałem serwisu. Podczas korzystania z produktu postępuj zgodnie z zaleceniami podanymi w dołączonej instrukcji użycia.
- ✿ Reklamacja nie dotyczy sytuacji, gdy użytkownik dokonał przeróbki produktu lub nie postępował zgodnie z zaleceniami podanymi w instrukcji obsługi.

## Gwarancja nie dotyczy:

- ✿ Naturalnego zużycia funkcjonalnych części maszyny wynikającego z jej eksploatacji.
- ✿ Prac serwisowych związanych ze standardową konserwacją maszyny (np. czyszczenia, smarowania, regulacji itp.)
- ✿ Wad spowodowanych przez okoliczności zewnętrzne (np. warunki klimatyczne, zapylenie, nieprawidłowy sposób użycia itp.)
- ✿ Uszkodzeń mechanicznych będących następstwem upadku maszyny, zderzenia, uderzenia itp.
- ✿ Szkód powstałych na skutek niefachowej obsługi, przeciążenia, użycia niewłaściwych części, nieodpowiednich narzędzi itp. W przypadku reklamowanych wyrobów, które podczas transportu nie były należycie zabezpieczone przeciw uszkodzeniom mechanicznym ryzyko powstania ewentualnej szkody ponosi wyłącznie właściciel.

## Przechowywanie

- ⚠ **UWAGA!** Jeśli nie zamierzasz używać maszyny przez dłuższy czas, przechowuj ją zgodnie z zaleceniami podanymi poniżej. Dzięki temu przedłużysz żywotność urządzenia.
- ✿ Wylej całość paliwa ze zbiornika paliwa i gaźnika. Zamknij ssanie i pociągnij 3 do 5 razy za rozrusznik.
- ✿ Odkręć świecę zapłonową i nalej do otworu niewielką ilość oleju silnikowego. Delikatnie pociągnij 2 do 3 razy za rozrusznik.
- ✿ Wytrzyj zewnętrzne powierzchnie czystą ścierką. Przechowuj maszynę w czystym i suchym miejscu.

## 11. CO ZROBIĆ, JEŻELI...

Silnik się nie uruchamia.	Możliwa przyczyna	Usuwanie usterki
1. Sprawdź paliwo.	W gaźniku lub w zbiorniku nie ma paliwa.	Dolej paliwo.
	Paliwo zawiera wodę.	
	Nieprawidłowe proporcje mieszanki paliwowej.	Opróżnij zbiornik paliwa i gaźnik. Dolej nowe paliwo do zbiornika.
2. Wymień i sprawdź świecę zapłonową.	Świeca jest wadliwa lub zanieczyszczona.	Wymień świecę zapłonową.
	Nieprawidłowy odstęp pomiędzy elektrodami.	
	Świeca zapłonowa jest wilgotna, zabrudzona benzyną (zalany silnik).	Wysuń i zamontuj z powrotem świecę zapłonową.
3. Oddaj silnik do wykwalifikowanego serwisu lub sprzedawcy.	Zapchany filtr paliwa, usterka gaźnika, usterka zapłonu, zapchane zawory itp.	Wymień lub napraw wadliwe części.

Silnik działa w stopniu niewystarczającym.	Przyczyna usterki	Poprawa
1. Sprawdź filtr powietrzny.	Zanieczyszczony filtr powietrzny.	Wyczyść go lub wymień wkład filtra powietrza.
2. Sprawdź paliwo.	Paliwo zawiera wodę.	Opróżnij zbiornik paliwa i gaźnik. Dolej nowe paliwo do zbiornika.
	Nieprawidłowe proporcje mieszanki paliwowej.	
3. Sprawdź ustawienia ssania i gazu.	Ssanie nie było otwarte do końca.	Wyreguluj ustawienia.
	Nieprawidłowo wyregulowana linka gazu.	
4. Oddaj silnik do wykwalifikowanego serwisu lub sprzedawcy.	Zapchany filtr paliwa, usterka gaźnika, usterka zapłonu, zapchane zawory itp.	Wymień lub napraw wadliwe części.

Po uruchomieniu silnika dochodzi natychmiast do jego wyłączenia.	Możliwa przyczyna	Usuwanie usterki
1. Sprawdź paliwo.	Brak paliwa.	Dolej paliwo.
	Paliwo zawiera wodę.	Opróżnij zbiornik paliwa i gaźnik.
	Nieprawidłowe proporcje mieszanki paliwowej.	Dolej nowe paliwo do zbiornika.
2. Wymień i sprawdź świecę zapłonową.	Świeca jest wadliwa lub zanieczyszczona.	Wymień świecę zapłonową.
	Nieprawidłowy odstęp pomiędzy elektrodami.	
3. Sprawdź filtr powietrzny.	Zanieczyszczony filtr powietrzny. Zapchany filtr powietrzny.	Wyczyść go lub wymień wkład filtra powietrza.
4. Oddaj silnik do wykwalifikowanego serwisu lub sprzedawcy.	Zapchany zawór odpowietrzający.	Wymień lub napraw wadliwe części.
	Zapchany filtr paliwa, usterka gaźnika, usterka zapłonu, zapchane zawory itp.	

## 12. LIKWIDACJA

### **WSKAZÓWKI I INFORMACJE DOTYCZĄCE GOSPODARKI ZUŻYTYM OPAKOWANIEM**

Zużyty materiał z opakowania należy przekazać na gminne wysypisko odpadów.



Maszyna i jej wyposażenie są wyprodukowane z różnych materiałów, np. z metalu i plastiku. Uszkodzone części należy oddać do punktu selektywnej zbiórki. Szczegółowych informacji udziela odpowiedni urząd.



Ten produkt spełnia wszelkie podstawowe wymogi dyrektyw UE, które go dotyczą.

Zastrzegamy sobie możliwość dokonywania zmian tekstu, designu i danych technicznych wyrobu bez uprzedzenia.

Instrukcja użycia w języku oryginalnym.

# 13. DEKLARACJA ZGODNOŚCI

# FAST<sup>®</sup>

FAST ČR, a. s.  
Černokostecká 1621, 251 01 Říčany, Republika Czeska  
tel.: +420 323 204 111, fax: +420 323 204 110

## DEKLARACJA ZGODNOŚCI

**Producent:**

FAST ČR, a. s.  
Černokostecká 2111, 100 00 Praha 10, Česká republika  
DIČ (NIP): CZ26726548

**Produkt/marka:** PODKASZARKA SPALINOWA I KOSIARKA STRUNOWA / FIELDMANN

**Typ/model:** FZS 3003-B

**Parametry silnika:** 25,4 ccm; 0,7 kW/6 500 obr./min; max. 8 500 obr./min

Niniejsza deklaracja zgodności została wydana na wyłączną odpowiedzialność producenta.

Powyższy przedmiot niniejszej deklaracji spełnia właściwe prawne przepisy harmonizacyjne Unii Europejskiej:

Dyrektywa 2012/46/UE  
Dyrektywa w sprawie maszyn 2006/42/WE  
Dyrektywa EMC 2014/30/UE

**Właściwe normy harmonizacyjne i inne specyfikacje techniczne:**

EN ISO 11806-1:2011  
EN ISO 14982:2009

**Miejsce wydania:** Praga

**Imię i nazwisko:** Ing. Zdeněk Pech  
Prezes zarządu

**Data wydania:** 1. 4. 2017

**Podpis:**

**FAST<sup>®</sup>** FAST ČR, a. s.  
Černokostecká 1621, 251 01 Říčany  
IČO: 26726548 tel.: +420/ 323 204 111  
DIČ: CZ26726548 fax: +420/ 323 204 110

IČ (REGON): 26 72 65 48, DIČ (NIP): CZ-26 72 65 48

Bank: Komerční banka Praha 1, nr rach. 89309011/0100, Česká spořitelna Praha 4, nr rachunku 2375682/0800,  
ČSOB Praha 1, nr rachunku 8010 -0116233383/0300

## 14. DANE TECHNICZNE

Model .....	FZS 3003 B
Pojemność walca .....	25,4 cm <sup>3</sup>
Maksymalna moc silnika .....	0,70 kW
Długość wału .....	1500 mm
Typ silnika .....	2-suwowy chłodzony powietrzem
Zalecane maksymalne obroty jałowe .....	8500 obr./min
Średnica żyłki .....	2,4 mm
Świeca zapłonowa .....	L6 (LD)
Pojemność zbiornika paliwa .....	800 ml
Proporcje mieszanki paliwowej (olej do silników 2-suwowych/Natural 95) .....	1:25
Ciężar bez paliwa i narzędzi tnących .....	6,6 kg
Poziom mocy akustycznej, gwarantowany LWA .....	112 dB(A)
Poziom ciśnienia akustycznego, maksymalny LPA <sub>av</sub> .....	94,5 dB(A)
Poziom wibracji – głowica strunowa, lewa rękojeść .....	8,9 m/s <sup>2</sup>
Poziom wibracji – głowica strunowa, prawa rękojeść .....	9,8 m/s <sup>2</sup>
Poziom wibracji – trójząb, lewa rękojeść .....	4,5 m/s <sup>2</sup>
Poziom wibracji – trójząb, prawa rękojeść .....	3,7 m/s <sup>2</sup>
Odchylenie .....	K = 1,5 m/s <sup>2</sup>





# Bencinski rezalnik

## UPORABNIŠKI PRIROČNIK

**Zahvaljujemo se vam za nakup bencinskega rezalnika. Preden ga boste začeli uporabljati, prosimo, da pozorno preberite ta uporabniški priročnik in ga shranite za kasnejšo uporabo.**

### VSEBINA

1. SPLOŠNA VARNOSTNA NAVODILA .....	115
Pomembne varnostne informacije .....	115
Embalaza .....	115
Uporabniški priročnik .....	115
2. RAZLAGA OZNAK NA NAPRAVI .....	116
3. NAVODILA ZA UPORABO .....	117
Varnostna navodila .....	117
Varnostna navodila – gorivo .....	117
Varnostna navodila – rezalno orodje .....	118
4. OPIS NAPRAVE .....	119
Vključene vsebine .....	119
5. SESTAVLJANJE .....	120
Namestitev glave rezalne nitke .....	121
Navijanje rezalne nitke na vreteno .....	121
Namestitev kovinskega trizobega rezila .....	122
6. PRIPRAVA GORIVNE MEŠANICE .....	122
Shranjevanje goriva .....	123
7. PRIPRAVA ZA DELOVANJE .....	123
Oprava pred pred začetkom dela .....	123
8. ZAGANJANJE REZALNIKA .....	123
Postopki za zagon in zaustavitev motorja .....	124
Zagon hladnega motorja .....	124
Zagon vročega motorja .....	124
Nadzor hitrosti glave rezalne nitke/kovinskega rezila .....	125
Zaustavitev motorja .....	125
9. REZANJE .....	125
Rezanje z najlonsko nitko .....	126
Rezanje trave .....	126
Čiščenje in prirezovanje robov .....	126
Rezanje z rezilom .....	127
Rezanje debelejših bilk .....	127

10. VZDRŽEVANJE IN SHRANJEVANJE.....	128
Vzdrževanje naprave .....	128
Servisiranje .....	128
Garancija ne pokriva: .....	128
Shranjevanje .....	128
11. KAJ STORITI "KO" .....	129
12. ODLAGANJE.....	131
13. IZJAVA O SKLADNOSTI.....	132
14. TEHNIČNE SPECIFIKACIJE.....	133

# 1 SPLOŠNA VARNOSTNA NAVODILA

## Pomembno varnostno opozorilo

- ✿ Izdelek pazljivo vzemite iz embalaže, pri tem pa pazite, da ne boste zavrgli nobenega dela embalaže, dokler ne boste ugotovili, da so vsi deli tudi prisotni.
- ✿ Napravo shranite na suho mesto, izven dosega otrok.
- ✿ Preberite vsa opozorila in navodila. Neupoštevanje opozoril ali navodil lahko privede do poškodb zaradi električnega udara, požara in/ali drugih resnih poškodb.

## Embalaža

Izdelek je zapakiran v embalažo, ki preprečuje poškodbe med prevozom. Embalažo je možno v celoti reciklirati.

## Uporabniški priročnik

Preden začnete uporabljati napravo, si preberite naslednja varnostna in uporabniška navodila. Seznanitev z elementi krmiljenja in pravilna uporaba naprave. Uporabniški priročnik imejte na varnem in enostavno dostopnem mestu. Shranite originalno embalažo, material, garancijsko kartico in potrdilo o nakupu, vsaj za obdobje garancije. Če morate poslati izdelek nazaj, ga zapakirajte v originalno kartonsko škatlo in tako poskrbite za najboljšo zaščito med prevozom (tj. kadar potujete ali kadar morate poslati izdelek v popravilo).

 **Opomba:** Če boste napravo posojali drugi osebi, mu priložite tudi uporabniški priročnik.

Upoštevanje navodil iz uporabniškega priročnika, je predpogoj za pravilno uporabo naprave. Uporabniški priročnik vsebuje tudi navodila za uporabo, vzdrževanje in popravila.

**Proizvajalec ne odgovarja za nobene nesreče ali poškodbe, ki bi nastale zaradi neupoštevanja navodil v priročniku.**

## 2. RAZLAGA OZNAK NA NAPRAVI



Pred uporabo naprave skrbno preberite uporabniški priročnik



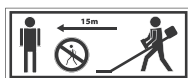
Med delom uporabljajte zaščitne pripomočke



Splošna varnostna opozorila!



Nevarnost odboja!



Prisotni (zlasti otroci) in živali naj se med delom z napravo zadržujejo najmanj 15 m od delovnega območja.

## 3. NAVODILA ZA UPORABO

### Varnostna navodila

#### Pozorno preberite!

- \* Med delom vedno nosite zaščitno čelado, zaščitne rokavice, zaščitna oblačila (hlače, ki so odporne na rezanje) in varnostno obutev.
- \* Napravo hranite izven dosega otrok.
- \* Nikoli ne zaženite motorja, če je v posodi za gorivo premalo bencina.
- \* V posodo za gorivo nikoli ne točite goriva, če motor teče ali je še vedno vroč. Gorivo točite le, ko je motor hladen.
- \* Gorivo shranjujte v zaprti posodi na suhem in hladnem mestu.
- \* Upoštevajte določila varnostnih smernic.
- \* Pred delom preverite delovno območje. Odstranite predmete, ki bi se lahko ujeli ali zagozdili v gibljive dele naprave.
- \* Med delom naj bodo prisotni oddaljeni vsaj 15 metrov.
- \* Naprave nikoli ne uporabljajte brez nameščenega zaščitnega pokrova (rezila).
- \* Posode za gorivo nikoli ne napolnite povsem do konca.
- \* Pokrov posode za gorivo mora biti trdno pritrjen, sicer lahko gorivo pušča.
- \* Če je posoda za gorivo prazna, naj motor ne deluje pri polni hitrosti.  
Če naprava deluje s polno hitrostjo, motorja ne zaustavljajte sunkovito.
- \* Če je naprava kakorkoli poškodovana, je ne uporabljajte. Posvetujte se z usposobljenim servisierjem.
- \* Pri delu držite napravo za držala, sicer v primeru, da jo držite le za posodo za gorivo, lahko pride do razlitja goriva in celo požara.
- \* Rezalnik med delom vedno držite z obema rokama.
- \* Vročega rezalnika nikoli ne odlagajte na suho travo.
- \* Med delom z rezalnikom je kajenje prepovedano.

### Varnostna navodila

#### Gorivo

- \* Med prevozom rezalnika mora biti posoda za gorivo prazna.
- \* Gorivo prevažajte v ločeni in za to predpisani posodi.
- \* Redno preverjajte stanje pokrovčka rezervoarja za gorivo. Vedno mora biti dobro pritrjen in gorivo ne sme puščati.
- \* Varovanje okolja: poskrbite, da ne bo prišlo do razlitja goriva in onesnaženja tal.
- \* Napravo zaganjajte vsaj 3 metre proč od mesta, kjer ste jo napolnili z gorivom.
- \* Goriva nikoli ne točite v zaprtih prostorih. V prostoru, kjer točite gorivo mora biti zagotovljeno zadostno prezračevanje, sicer obstaja nevarnost eksplozije.
- \* Ne vdihavajte hlapov goriva. Med točenjem goriva nosite zaščitne rokavice.
- \* Redno menjajte in čistite zaščitno obleko.

## Varnostna navodila

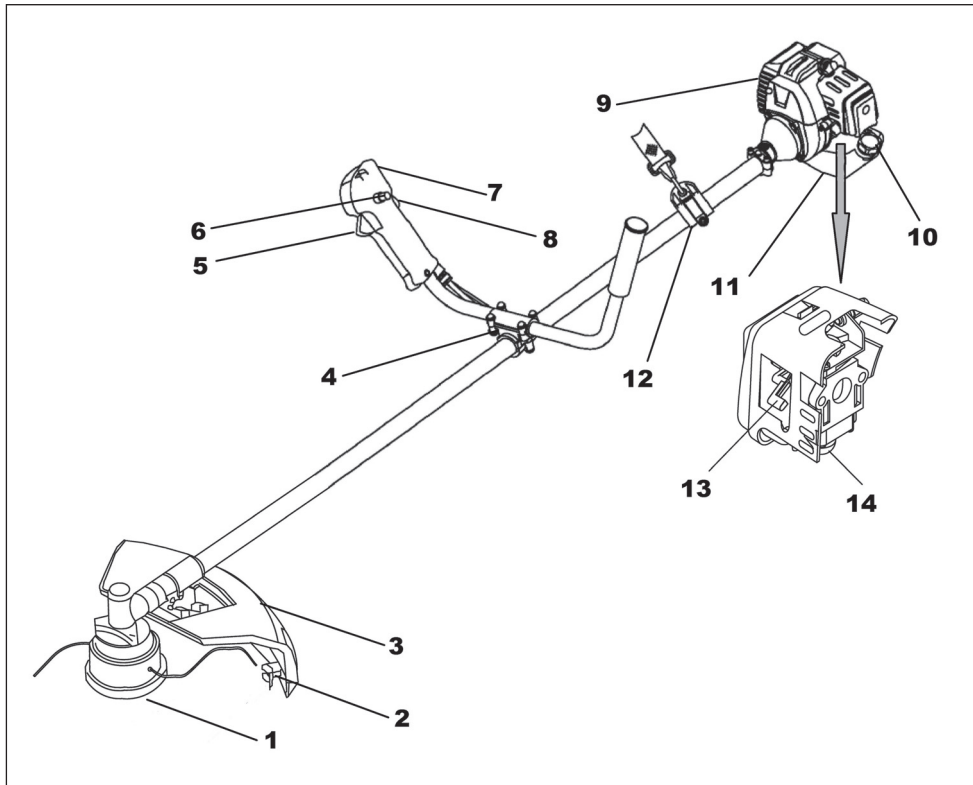
### Rezalna orodja

- \* Pri nameščanju rezalnega orodja vedno najprej preverite ostrino in stanje rezila. Če je rezalno orodje poškodovano (razpokano, upognjeno, odkrušeno itd.), ga zamenjajte.
- \* Po namestitvi rezila ponovno preverite ali je luknja v rezilu poravnana z roko rezila.
- \* Zavrtite rezilo in ponovno preverite, če se pravilno vrti.
- \* Preverite, če je rezilo nameščeno tako, da se ostri rob vrti proti smeri rezanja. Rezila nikoli ne nameščajte v nasprotni položaj.
- \* Preverite, če je rezalno orodje pravilno nameščeno, kar storite tako, da napravo zaženete in jo nekaj časa pustite delovati brez obremenitve (1 minuta je dovolj).
- \* Rezalno orodje izberite glede na material, ki ga boste rezali.
- \* Če se rezilo še vedno vrti, naprave ne odlagajte tako, da bi se rezilo lahko dotaknilo drugih predmetov. Pri rezanju upoštevajte, da se mora rezalno orodje vrteti z ustrežno hitrostjo.
- \* Če med delom slišite nenavaden hrup ali naprava nenormalno vibrira, prenehajte z delom in ugotovite vzrok vibracij.
- \* Medtem, ko rezalno orodje reže, naprave ne zaustavljajte. Zaradi tega bi lahko prišlo do poškodb naprave. Na rezalnem orodju mora biti nameščena ustrezna zaščita.

**⚠ POZOR!** Če ne upoštevate navodil, obstaja nevarnost resne ali celo usodne poškodbe!

- \* Vse osebe, ki delajo s to napravo morajo biti ustrezno seznanjene z delovanjem naprave in z varnostnimi navodili.

## 4. OPIS NAPRAVE



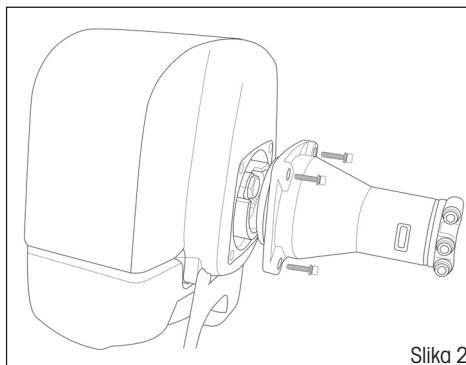
- |                                      |                              |
|--------------------------------------|------------------------------|
| 1. Polavtomatska glava rezalne nitke | 9. Motor                     |
| 2. Rezalnik nitke                    | 10. Pokrov posode za gorivo  |
| 3. Varovalo                          | 11. Posoda za gorivo         |
| 4. Pritrdilo ročaja                  | 12. Kljukica ramenskega pasu |
| 5. Ročica za plin                    | 13. Ročica dušilne lopute    |
| 6. Omejevalnik plina                 | 14. Črpalka goriva           |
| 7. Stikalo za vklop                  |                              |
| 8. Varnostno stikalo plina           |                              |

### Vključene vsebine

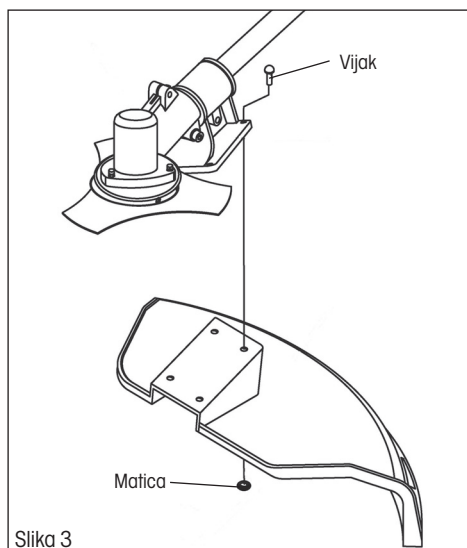
Glava rezalne nitke, kovinsko trizobo rezilo, ramenski pas, umerjena posoda za mešanje goriva, rezervna vžigalna svečka, šestrobi ključ - 4 mm, šestrobi ključ - 5 mm, 4 x šestrobi vijak - 5 mm, 4 x šestrobi vijak - 4 mm z matico (na držalu plastičnega varovala), 2 x vpenjalo, izvijač, ključ 10/8, cevasti ključ s križnim izvijačem.

## 5. SESTAVLJANJE

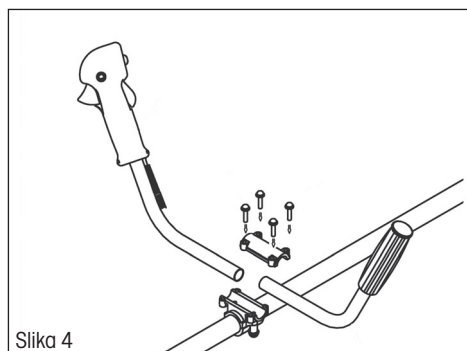
- ✿ Rezalnik pritrdite na na gred s štirimi priloženimi vijaki (glejte sliko 2).
- ✿ Na gred namestite varovalo in ga pritrdite s priloženimi vijaki ter maticami (glejte sliko 3)
- ✿ Namestite ročico v držalo (glejte sliko 4). Ročaj lahko poljubno namestite vzdolž gredi. Na ta način lahko ročaj namestite v idealen in udoben delovni položaj. Po izbiri idealnega delovnega položaja, privijte vijake. S pomočjo vpenjal pritrdite opremo na gred.



Slika 2



Slika 3

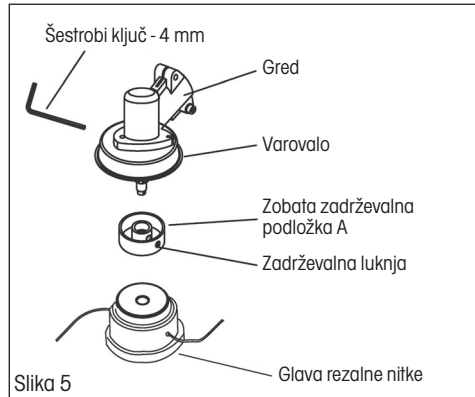


Slika 4



### Namestitev glave rezalne nitke

- ✿ V gred vstavite 4 mm šestrobi ključ in jo zadržite na mestu (glejte sliko 5). To storite tako, da poravnate luknjo v varovalu z luknjo v gredi in skozi jo vstavite šestrobi ključ. Luknji poravnate tako, da obračate varovalo.
- ✿ Sestavne dele namestite v naslednjem zaporedju:
  1. zobata varovalna podložka A (z zadrževalno luknjo)
  2. glava rezalne nitke
- ✿ Privijte glavo nitne kosilnice na gred tako, da jo obračate v nasprotni smeri gibanja urinega kazalca (upoštevajte nasprotni navoj) in jo dobro zategnite.
- ✿ Šestrobi ključ izvalcite iz zadrževalne luknje.



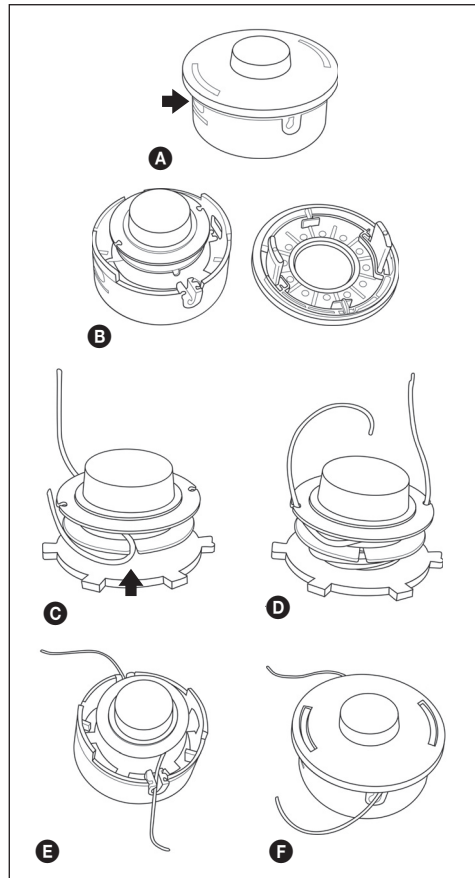
Slika 5

### Navijanje rezalne nitke na vreteno

1. Pritisnite zadrževala na stranskem delu glave ter snemite pokrov (glejte slike A in B)
2. Vzemite vreteno nitke iz glave. Pripravite približno 2-3 m najlonske nitke, debeline 2,4 mm.
3. Nitko na sredini prepognite in prepognjeni del vstavite v utor vretena (glejte sliko C)
4. Oba dela nitke vzporedno navijte v nasprotni smeri urnega kazalca na vreteno. Konca najlonske nitke vstavite v luknji (glejte sliko D)
5. Vreteno vstavite v glavo rezalnika in namestite pokrov (glejte slike E in F)

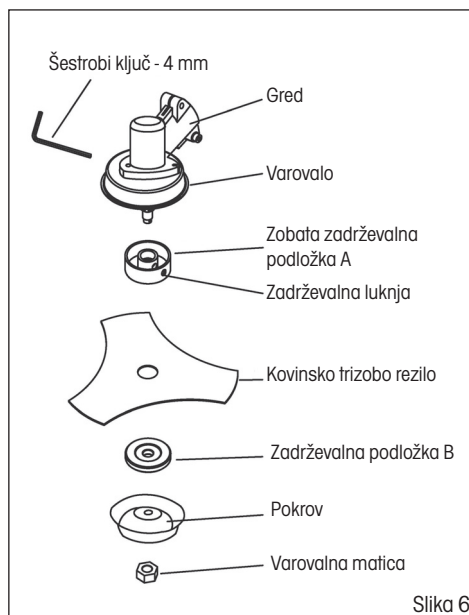
### ⚠ OPOZORILO!

Uporabljajte le kakovostno najlonsko nitko debeline 2,4 mm. Nikoli namesto najlonske nitke ne uporabljajte žice ali z žico ojačano najlonsko nitko. Uporabljajte le originalno rezalno glavo.



**Namestitev kovinskega trizobega rezila**

- ✿ V gred vstavite 4 mm šestrobi ključ in jo zadržite na mestu (glejte sliko 6). To storite tako, da poravnate luknjo v varovalu z luknjo v gredi in skozi jo vstavite šestrobi ključ. Luknji poravnate tako, da obračate varovalo.
- ✿ Sestavne dele namestite v naslednjem zaporedju:
  1. zobata varovalna podložka A (z zadrževalno luknjo)
  2. kovinsko trizobo rezilo
  3. zadrževalna podložka B
  4. pokrov
  5. varovalna matica
- ✿ Prepričajte se, da je rezilo pravilno vstavljeno v ležišče zobate zadrževalne podložke A
- ✿ S priloženim nasadnim ključem obračajte pritrdilno matico noža v nasprotni smeri gibanja urinega kazalca (upoštevajte nasprotni navoj), dokler ni trdno zategnjena.
- ✿ Šestrobi ključ izvlcite iz zadrževalne luknje.



Slika 6

**⚠ OPOZORILO!**

ČE MED DELOVANJEM REZALNIK ZAČNE PREKOMERNO VIBRIRATI – TAKOJ UGASNITE MOTOR

Prekomerne vibracije rezila pomenijo, da rezilo ni pravilno nameščeno. Takoj ugasnite motor in preverite stanje rezila.

Nepravilno nameščeno rezilo lahko povzroči poškodbe.

Za vzdrževanje in servisiranje te naprave uporabljajte le originalni pribor.

## 6. PRIPRAVA GORIVNE MEŠANICE

**⚠ OPOZORILO!**

- ✿ Goriva nikoli ne točite v posodo, če se nahajate v zaprtih in premalo zračenih prostorih.
- ✿ Goriva ne točite v bližini odprtega ognja ali vira iskenja.
- ✿ Posode za gorivo ne napolnite do konca. Pred zagonom motorja temeljito obrišite morebitno razlito gorivo.
- ✿ Če je motor vroč, GORIVA NE TOČITE.

- ✿ **Dvotaktni motor vaše naprave uporablja gorivno mešanico neosvinčenega bencina in motornega olja za dvotaktne motorje v razmerju 25: 1.**

- ⚠ **POZOR!** Gorivna mešanica, ki ni pripravljena v razmerju 25: 1 lahko poškoduje motor. Poskrbite za pripravo ustrezne gorivne mešanice.

- ☼ Pri mešanju bencina z oljem za dvotaktne motorje, uporabite le bencin BREZ ETANOLA ali METANOLA (vrsti alkoholov).
- ☼ Uporabite kakovostni bencin z oktanskim številom 95 ali več. To bo pomagalo preprečiti morebitne poškodbe na sistemu za gorivo in na drugih delih motorja.  
Za pripravo gorivne mešanice priporočamo, da uporabite priloženo umerjeno posodo.  
**GORIVNE MEŠANICE NIKOLI NE PRIPRAVLJAJTE NEPOSREDNO V POSODI ZA GORIVO.**

### **Shranjevanje goriva**

Gorivo shranjujte je v čistih, varnih in odobrenih posodah. Predpise, ki urejajo shranjevanje goriva in predpisujejo vrste posod za shranjevanje goriva, si pridobite pri lokalnih oblasteh.

#### **⚠ POMEMBNO**

Gorivna mešanica za dvotaktne motorje se lahko loči. Pred vsako uporabo temeljito pretresite posodo z gorivom. Gorivo se med shranjevanjem stara. Nikoli ne pripravljajte več gorivne mešanice, kot jo boste porabili v enem mesecu.

## 7. PRIPRAVA ZA DELOVANJE

#### **⚠ POMEMBNO:**

Upoštevajte navodila za pripravo gorivne mešanice! Če ne upoštevate teh navodil, lahko poškodujete motor! Ne uporabljajte gorivne mešanice, ki je bilo shranjeno dlje kot dva meseca. Gorivna mešanica, ki je bila shranjena dlje kot dva meseca, bo povzročila težave pri zagonu in nižjo zmogljivost motorja. Če imate več, kot dva meseca staro gorivno mešanico, jo ustrezno odstranite in pripravite novo.

#### **Opravlila pred pred začetkom dela**

1. Preverite, če so vsi vijaki, matice in pritrdilni elementi dobro pritrjeni. Privijte morebitne premalo pritevne vijake.
2. Preverite stanje filtra zraka. Pred začetkom dela temeljito očistite filter zraka.
3. Preverite, če sta plastični ščitnik in rezilo dobro pritrjena.
4. Preverite tesnjenje posode za gorivo.
5. Preverite rezilo ali glave rezalnika glede poškodb.

## 8. ZAGANJANJE REZALNIKA

#### **⚠ OPOZORILO!**

- ☼ Pred zagonom motorja se prepričajte, da se rezilo/glava rezalnika prosto giblje in se ne dotika ohišja.
- ☼ Ko motor deluje v prostem teku, se rezalno orodje ne sme vrteči. V nasprotnem primeru se obrnite na pooblaščen servis in dajte napravo na pregled ter odpravo napak.
- ☼ Pred zagonom motorja se prepričajte, da se ročica za plin prosto giblje.

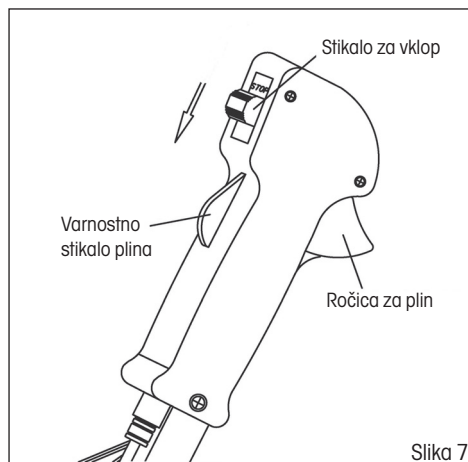
**⚠ POZOR:** Rezalnik med delom vedno trdno držite z obema rokama. Vedno stojte tako, da bo vaše telo na levi strani cevi gredi. Nikoli ne držite ročajev s prekržanimi rokami. Ta navodila veljajo tudi za levičarje.

**⚠ POZOR:** Izpostavljenost tresljajem lahko škodljivo vpliva na zdravje oseb, ki imajo težave z ožiljem ali živčnim sistemom. Če boste med uporabo naprave zaznali kakršne koli fizične težave, kot so izguba občutka ali znanjevanja, izguba običajne moči ali spremembo barve kože, se obrnite na zdravnika. Ti simptomi se najpogosteje pojavijo na prstih, dlaneh in zapestju.

## POSTOPKI ZA ZAGON IN ZAUSTAVITEV MOTORJA

### Zagon hladnega motorja

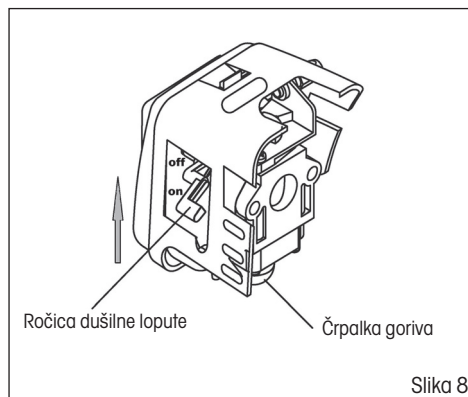
1. Nastavite stikalo za vklop v položaj "START (ZAGON)". (glejte sliko 7)
2. Nekajkrat pritisnite na ročno črpalko za gorivo (5 do 10 krat), da pride gorivo v uplinjač. (glejte sliko 8)
3. Ročico dušilne lopute potisnite navzgor, v položaj "OFF (IZKLOP)" (= dovod zraka je onemogočen, dušilna loputa je zaprta). (glejte sliko 8)
4. Naslonite rezalnik na tla, tako da bo v stabilnem položaju in povlecite vrstico za zaganjanje in spremljajte odzivanje motorja, ki se bo začel zaganjati.
5. Tedaj potisnite ročico dušilne lopute navzdol v položaj "ON" (= dovod zraka je vklopljen, dušilna loputa je odprta) in s sunkovitim potegom vrvice za zaganjanje zaženite motor.



Slika 7

**⚠ POZOR!** Predolgo zaganjanje motorja z ročico za hladni zagon motorja v položaju "OFF (IZKLOP)" bo povzročilo zalitje vžigalne svečke in otežilo zagon.

6. Pred začetkom dela, pustite, da motor nekaj časa delovati na mestu, da se ogreje do delovne temperature.



Slika 8

### Zagon vročega motorja

1. Nastavite stikalo za vklop v položaj "START (ZAGON)".
2. Povlecite ročaj vrvice za zaganjanje in zaženite motor. **NE UPORABLJAJTE ROČICE DUŠILNE LOPUTE!**

**⚠ POZOR!** Če med delom do konca porabite gorivo, počakajte, da se motor ohladi, natočite gorivo v posodo za gorivo in izvedite postopek ZAGANJANJA HLADNEGA MOTORJA.

### Nadzor hitrosti glave rezalne nitke/kovinskega rezila

- ✿ Za povečanje hitrosti, najprej z dlanjo potisnite navzdol varovalo ročice plina in nato s prstom stisnite ročico plina (glejte sliko 7)
- ✿ Ročico plina lahko zaskočite na mestu z omejevalnikom plina (slika 1 , postavka 6)
- ✿ Če želite zmanjšati hitrost vrtenja, sprostite ročico plina

### Zaustavitev motorja

- ✿ Pomaknite stikalo za vklop v položaj "STOP (ZAUSTAVITEV)".

### ⚠ OPOZORILO!

Hlapi izpušnih plinov motorja vsebujejo kemične snovi, ki so škodljive za zdravje. Nikoli ne vdihavajte teh hlapov. Bencinski rezalnik zato vedno zaganjajte na prostem.

## 9. REZANJE

### ⚠ OPOZORILO!

Pri delu z rezalno nitko ali rezalnikom obstaja nevarnost letečih delcev kamnov, kovine ali materiala, ki ga režete. Pozorno preberite vse varnostne napotke. Upoštevajte vsa varnostna navodila v tem priročniku.

### ⚠ OPOZORILO!

Uporabite zaščito za glavo, oči, obraz in ušesa. Uporabljajte ustrezno zaščitno obutev, ki bo varovala vaša stopala in bo hkrati zagotavljala trden oprijem na spolzkih površinah. Med delom ne nosite kravate, nakita ali ohlapnih oblačil, ki bi se lahko ujeli v premikajoče se dele naprave. Ne nosite obuče brez ojačanega sprednjega dela. Med uporabo rezalnika nikoli ne bodite bos. V določenih situacijah, morate uporabiti zaščito za cel obraz in glavo.

Med delom pazite, da ne pride do povratnih udarcev ali ujetja rezalnega orodja.

### ⚠ OPOZORILO!

Vedno uporabljajte ramenski pas.

Ramenski pas nastavite tako, da bo rezalno orodje rezalnika odmaknjen nekaj centimetrov od tal. Glava rezalnika in kovinsko varovalo morata biti med uporabo v vodoravnem položaju. Rezalnik med delom držite na desni strani telesa.

### ⚠ NEVARNO OBMOČJE

NIHČE RAZEN UPRAVLJAVCA NAPRAVE SE MED NJENIM DELOVANJEM NSE SME ZADRŽEVATI ZNOTRAJ 15 METRSKEGA OBMOČJA. UPRAVLJAVEC NAPRAVE MORA MED DELOM UPORABLJATI USTREZNO ZAŠČITNO PREMO ZA OČI, SLUH, OBRAZ, STOPALA, NOGE IN TELO. OSEBE, KI SE MED DELOVANJEM NAPRAVE NAHAJAJO ZNOTRAJ NEVARNEGA ALI TVEGANEGA OBMOČJA, MORAJO UPORABLJATI ZAŠČITO PRED LETEČIMI DELCI. TVEGANJE POŠKODB SE ZMANJŠUJE Z ODDALJENOSTJO OD NEVARNEGA OBMOČJA.

## REZANJE Z NAJLONSKO NITKO

- ✿ Glava rezalne nitke se vrti V SMERI URNEGA KAZALCA.
- ✿ **Rezalna nitke se podaljšuje polavtomatsko. Med rezanjem le blago udarite z glavo rezalnika ob podlago, pritisk gumba bo sprostil mehanizem za zadrževanje najlonske nitke in slednja se bo podaljšala. Rezalna nitka se bo na rezilu nitke, ki je vstavljeno v plastično varovalo, samodejno skrajšala na največjo dovoljeno razdaljo.**

### Rezanje trave

- ✿ Med rezanjem trave pazljivo postopoma premikajte rezalnik proti travi, ki jo želite pokositi. Rezalno glavo blago nagnite, tako, da bo odrezan material lepo izmetavalo proč od vas. Če režete travo poleg ovir, kot so ograde, stene in drevesa, se tem oviram približajte pod takšnim kotom, da bo odrezan material metalo proč od vas. Rezalnik z najlonsko nitko počasi premikajte v polkrožnih gibih od desne proti levi, vse do ovire, vendar pazite, da rezalna nitka ne bo prihajala v stik z oviro.
- ✿ Če kosite travo blizu žičnate ograde, pazite, da najlonska nitka ne bo prišla v stik z žicami. Če se z rezalno nitko preveč približate žici, se bo najlonska nitka ob vsakem trku skrajšala.
- ✿ Pri rezanju debelejših bilk režite eno po eno. Rezalnik z glavo postavite na spodnji del debelejših bilke - nikoli na zgornjega, zato, ker se slednji lahko začne tresti, najlonska nitka pa se ovije okoli njega. Namesto, da bi poskušali debelejšo bilko prerezati v enem mah, priporočamo, da ga režete le s koncem nitke, in to počasi.

### Čiščenje in prirezovanje robov

- ✿ Ti opravili izvajajte tako, da je glava rezalnika nagnjena pod kotom. Čiščenje pomeni, da odstranite vse rastlinje in ostane le zemlja.
- ✿ Prirezovanje robov pomeni rezanje trave na robu trate, ki se razteza ob pešpoteh in cestah.
- ✿ Med čiščenjem in prirezovanjem robov držite orodje pod ostrim kotom na podlago, tako, da se bodo delci odrezanega materiala in ostali delci izmetavali proč od vas, tudi če se odbijejo od trdne površine. Poleg slik, ki prikazujejo kako naj bi izvajali čiščenje in prirezovanje robov, mora vsak uporabnik naprave sam ugotoviti, kateri položaj telesa in naprave je zanj, glede na delovne pogoje, najbolj primeren.

### ⚠ OPOZORILO!

Če uporabljate glavo z najlonsko nitko, morate nanjo pritrčiti ustrezno varovalo. Če se najlonska nitka preveč raztegne, lahko začne opletati. Če uporabljate glavo z najlonsko nitko, na napravo vedno namestite ustrezno varovalo z rezilom najlonske nitke.

### ⚠ OPOZORILO!

Pri rezanju nad zemljo ali peskom bodite pazljivi, saj najlonska nitka lahko izvrže majhne delce z visoko hitrostjo. Varovalo samo vas ne more ustrezno zaščititi pred letečimi delci, ki se odbijejo od trdnih površin.


### ⚠ OPOZORILO!

Rezalnika ne uporabljajte na mestih, kjer so žice ter mreže. Uporabljajte zaščitne pripomočke. Rezalnika ne uporabljajte na mestih, kjer ne morete dobro videti, kaj točno režete.

## REZANJE Z REZILOM

### Rezanje debelejših bilk

- ☼ To rezanje poteka tako, da v loku premikate vrteče se rezilo, vpeto v glavo rezalnika. Na ta način lahko hitro počistite veliko površino goste trave in debelejših bilk. Kovinsko krožno rezilo lahko uporabljate za rezanje debelejših in trdovratnih bilk ter olesenele vegetacije.
- ☼ S kovinskim krožnim rezilom lahko režete v obeh smereh ali le v eni, kar pomeni, da bo rezilo odrezani material vedno izmetavalo proč od vas. Na ta način bo rezilo, ki se vrti proč od vas opravilo svoje delo. Blago nagnite rezilo navzdol. Če boste rezalnik uporabljali v obeh smereh, bo vrteče se rezilo lahko nekaj odrezanega materiala izvrglo proti vam.

 **Opomba:** Rezalnika s kovinskim krožnim rezilom ne uporabljate za rezanje dreves, ki so debelejša od 12 mm.

### **OPOZORILO!**

MED REZANJEM SE Z REZILOM NIKOLI NE REŽITE NASLEDNJIH PREDMETOV:  
KOVINSKIH KOLOV, ELEKTRIČNIH ŽIC, GUMIJASTIH PREDMETOV, ZIDOV, KAMNOV, OGRAD

### **OPOZORILO!**

Če je kovinsko krožno rezilo topo, razpokano ali poškodovano, ga prenehajte uporabljati. Preden začnete z rezanjem, preverite, če se na delovnem območju morda nahajajo ovire, kot so kamni, kovinski koli ali žice. Če teh ovir ne morete odstraniti, jih ustrezno označite, da med rezanjem ne boste trčili obnje. Kamenje ali kovinski predmeti bodo otopili ali poškodovali krožno rezilo. Žice se lahko navijejo na glavo rezila, slednjega zvijejo in povzročijo poškodbe.

# 10. VZDRŽEVANJE IN SHRANJEVANJE

## Vzdrževanje naprave

- ✿ Pred vsako uporabo:
  - Preverite, če so vse matice in vijaki priviti.
  - Preverite, če morda gorivo ne izteka iz posode za gorivo.
  - Namažite menjalnik z mastjo.
- ✿ Vsakih 20 ur delovanja (priporočamo, da se obrnite na pooblaščen servis):
  - Očistite filter zraka.
  - Očistite filter goriva.
- ✿ Vsakih 50 ur delovanja (priporočamo, da se obrnite na pooblaščen servis):
  - Očistite vžigalno svečko in prilagodite razmik med elektrodama, ki naj bo 0,6 - 0,7 mm.
  - Očistite obloge v izpušnem sistemu in dušilcu.
  - Odstranite gred in jo namažite s kakovostnim mazivom.
- ✿ Po vsakem vzdrževanju preverite, če so vse matice in vijaki dobro priviti.

## Servisiranje

- ✿ Če po nakupu naprave ugotovite morebitno napako, se obrnite na servisno službo. Pri uporabi naprave upoštevajte navodila iz uporabniškega priročnika.
- ✿ Če ne boste upoštevali navodil za uporabo naprave, ki so navedena v tem uporabniškem priročniku, vaš morebitni reklamacijski zahtevek ne bo upoštevan.

## Garancija ne pokriva:

- ✿ Normalne obrabe delov naprave kot posledice njene uporabe
- ✿ Servisnih opravil, ki se nanašajo na redno vzdrževanje (npr. čiščenje, mazanje, nastavljanje itd.)
- ✿ Okvar zaradi zunanjih vplivov (npr. zaradi klimatskih razmer, prašenja, neustrezne uporabe itd.)
- ✿ Mehanskih poškodb, ki nastanejo pri padcu naprave, trku itd.
- ✿ Poškodb, ki so posledica nestrokovnega ravnanja, preobremenitve, uporabe napačnih delov, namestitve neustreznih orodij itd. Poškodbe, ki nastanejo med prevozom na napravah, ki jih je lastnik neustrezno zaščitil in poslal v popravilo, so odgovornost lastnika.

## Shranjevanje

- ⚠ **POZOR!** Če naprave ne boste uporabljali nekaj časa, jo pripravite na shranjevanje, skladno z naslednjimi navodili. To bo podaljšalo življenjsko dobo naprave.
- ✿ Popolnoma izpraznite gorivo iz posode za gorivo in uplinjača. Zaprite dušilno loputo in 3 do 5-krat povlecite za zaganjalno vrstico.
- ✿ Odvijte vžigalno svečko in v glavo motorja vlijte nekaj motornega olja. Nežno povlecite 2 do 3 krat za zaganjalno vrstico.
- ✿ Za čiščenje zunanjih površin rezalnika uporabljajte čisto krpo. Rezalnik shranite na suhem in čistem mestu.



## 11. KAJ STORITI "KO" ...

Motor se ne zažene	Možni vzroki	Ukrep
1. Preverite gorivo.	V posodi za gorivo ali v uplinjaču ni zadosti goriva.	Dotočite gorivo.
	V gorivu je voda.	
	Gorivna mešanica ni ustrezno pripravljena.	Izpraznite posodo za gorivo in uplinjač. V posodo za gorivo natočite novo gorivno mešanico.
2. Odstranite in preverite vžigalno svečko.	Nepravilna ali zamaščena vžigalna svečka.	Zamenjajte vžigalno svečko
	Napačen razmik med elektrodama.	
	V vžigalno komoro priteka preveč goriva, zato svečko zaliva.	Odvijte vžigalno svečko in jo privijte nazaj.
3. Motor rezalnika dostavite k usposobljenemu serviserju ali se obrnite na prodajalca.	Zamašen filter za gorivo, okvara uplinjača, težave pri zaganjanju, zamašen ventil itd.	Zamenjajte ali popravite poškodovane dele.

Zmogljivost motorja ni ustrezna	Vzrok napake	Možno popravilo
1. Preverite filter zraka.	Umazan filter zraka.	Očistite ali zamenjajte vložek filtra zraka.
2. Preverite gorivo.	V gorivu je voda.	Izpraznite posodo za gorivo in uplinjač. V posodo za gorivo natočite novo gorivno mešanico.
	Gorivna mešanica ni ustrezno pripravljena.	
3. Preverite nastavitve dušilne lopute in ročico dušilne lopute.	Plin ni v celoti odprt.	Prilagodite nastavitve.
	Neustrezno nastavljen pletenica plina.	
4. Motor rezalnika dostavite k usposobljenemu serviserju ali se obrnite na prodajalca.	Zamašen filter za gorivo, okvara uplinjača, težave pri zaganjanju, zamašen ventil itd.	Zamenjajte ali popravite poškodovane dele.

<b>Motor začne teči in se takoj zaustavi</b>	<b>Možni vzroki</b>	<b>Ukrep</b>
1. Preverite gorivo.	Goriva je zmanjkalo.	Dotočite gorivo.
	V gorivu je voda.	Izpraznite posodo za gorivo in uplinjač. V posodo za gorivo natočite novo gorivno mešanico.
	Gorivna mešanica ni ustrezno pripravljena.	
2. Odstranite in preverite vžigalno svečko.	Nepravilna ali zamaščena vžigalna svečka.	Zamenjajte vžigalno svečko.
	Napačen razmik med elektrodama.	
3. Preverite filter zraka.	Umazan filter zraka. Zapacan filter zraka.	Očistite ali zamenjajte vložek filtra zraka.
4. Motor rezalnika dostavite k usposobljenemu serviserju ali se obrnite na prodajalca.	Zapacan ventil za izpust zraka.	Zamenjajte ali popravite poškodovane dele.
	Zamašen filter za gorivo, okvara uplinjača, težave pri zaganjanju, zamašen ventil itd.	

## 12. ODLAGANJE

### NAVODILA IN INFORMACIJE V ZVEZI Z ODLAGANJEM RABLJENE EMBALAŽE

Rabljeno embalažo odlagajte na mestih za ločeno zbiranje odpadkov.



Naprava in njeni dodatki so izdelani iz različnih materialov, npr. iz kovine in plastike. Poškodovane dele dostavite v reciklažni center. Za podrobnosti se posvetujte pri ustreznem državnem organu.



Ta izdelek izpolnjuje vse osnovne zahteve, ki jih predpisujejo direktive EU.

Pridržujemo si pravico za spreminjanje besedila, oblike in tehničnih specifikacij brez opozorila.

Uporabniški priročnik v izvirnem jeziku.

# 13. IZJAVA O SKLADNOSTI

# FAST<sup>®</sup>

FAST ČR, a. s.  
Černokostecká 1621, 251 01 Říčany, Česká republika  
Tel: +420 323 204 111, faks: +420 323 204 110

## IZJAVA O SKLADNOSTI

**Proizvavalec:**

FAST ČR, a. s.  
Černokostecká 2111, 100 00 Praha 10, Česka  
Št. za DDV: CZ26726548

**Izdelek / blagovna znamka:** BENCINSKI REZALNIK ZA GRMOVJE IN OBREZOVALNIK ZA TRAVO/  
FIELDMANN

**Vrsta/model:** FZS 3003-B

**Tehnični podatki motorja:** 25,4 ccm; 0,7 kW/ 6500 obr/min; maks. 8500 obr/min

Ta izjava o skladnosti je izdana z izključno odgovornostjo proizvajalca.

**Predmet izjave, kot je opisan zgoraj, je v skladu z ustrežno usklajevalno zakonodajo Evropske skupnosti:**

Direktiva 2012/46/EU  
Direktiva o strojih 2006/42/EC  
Direktiva EMC 2014/30/EU

**Ustrezni usklajevalni standardi in drugi tehnični podatki:**

EN ISO 11806-1:2011  
EN ISO 14982:2009



**Kraj izdaje:** Praga

**Ime:** Ing. Zdeněk Pech  
Predsednik uprave

**Datum izdaje:** 1. 4. 2017

**Podpis:**

**FAST<sup>®</sup>** FAST ČR, a. s.  
Černokostecká 1621, 251 01 Říčany  
IČO: 26726548 tel.: +420/ 323 204 111  
DIČ: CZ26726548 fax: +420/ 323 204 110

ID: 26 72 65 48, DIČ: CZ-26 72 65 48

Banka: Komerční banka Praha 1, č. ú. 89309011/0100, Česká spořitelna Praha 4, č. ú. 2375682/0800,  
ČSOB Praha 1, č. ú. 8010-0116233383/0300

## 14. TEHNIČNE SPECIFIKACIJE

Model .....	FZS 3003 B
Prostornina motorja .....	25,4 cm <sup>3</sup>
Maksimalna izhodna moč motorja .....	0,70 kW
Dožina gredi .....	1.500 mm
Vrsta motorja .....	2-taktni, zračno hlajen
Največje priporočen število vrtljajev brez obremenitve .....	8.500 vrt/min
Premer najlonske nitke .....	2,4 mm
Vžigalna svečka .....	L6(LD)
Prostornina posode za gorivo .....	800 ml
Razmerje gorivne mešanice (olja za 2-taktno motorje/neosvinčeni bencin, 95 okt.) .....	01:25
Teža brez goriva in rezalnega orodja .....	6,6 kg
Raven zvočne moči, zajamčena LWA .....	112 dB(A)
Raven zvočnega tlaka, maksimalno LPA <sub>av</sub> .....	94,5 dB (A)
Raven vibracij - glava z nitko, levi ročaj .....	8,9 m/s <sup>2</sup>
Raven vibracij - glava z nitko, desni ročaj .....	9,8 m/s <sup>2</sup>
Raven vibracij - trizoba glava, levi ročaj .....	4,5 m/s <sup>2</sup>
Raven vibracij - trizoba glava, desni ročaj .....	3,7 m/s <sup>2</sup>
Odstopanje .....	K = 1,5 m/s <sup>2</sup>









Vypni prodajca. | Vypni predajca. | To be filled in by the seller.  
 | Wypelnia sprzedawca. | A kereskedő tölti ki.

Názov: | Name: | Nazwa: | Megnevezés:

Typ: | Type: | Típus:

Výrobní číslo: | Výrobné číslo: | Serial number: | Numer seryjny: | Gyártási szám:

 V prípade opravy vyplni servis. | V prípade opravy vyplni servis. | To be filled in by a repair shop  
 in case of repair. | W przypadku naprawy wypełnia serwis. | Javítás esetén a szerviz tölti ki.

 Datum oznámení nároku na záruku: | Dátum oznámenia nároku na záruku: | Date of notification  
 of the entitlement to warranty: | Data zgłoszenia roszczeń gwarancyjnych: | A jótállási igény  
 bejelentésének időpontja:

 Den: | Deň: | Měsíc: | Mesiac: | Rok: | 20  
 Day: | Dzień: | Nap: | Month: | Miesiąc: | Hó: | Year: | Év:

 Datum převzetí do opravy: | Dátum prevzatia do opravy: | Data przyjęcia do naprawy: | Date of  
 accepting for repair: | Javításra átvétel időpontja:

 Den: | Deň: | Měsíc: | Mesiac: | Rok: | 20  
 Day: | Dzień: | Nap: | Month: | Miesiąc: | Hó: | Year: | Év:

Důvod poruchy: | Dóvod poruchy: | Cause of defect: | Przyczyna awarii: | Hiba oka:

A termék azonosításra alkalmas részeinek meghatározása [amennyiben alkalmazható]:

 Číslo prodejního dokumentu: | Číslo predajného dokumentu: | Sales document no.: | Numer  
 dokumentu sprzedazy: | Vásárlási igazoló bizonylat száma:

 Datum nákupu [uvedení do provozu]: | Dátum nákupu [uvedenie do prevádzky]: | Date of pur-  
 chase [putting into operation]: | Data zakupu [przekazania do eksploatacji]: | A vásárlás [üzem-  
 be helyezés] időpontja:

 Den: | Deň: | Měsíc: | Mesiac: | Rok: | 20  
 Day: | Dzień: | Nap: | Month: | Miesiąc: | Hó: | Year: | Év:

 Razítko prodajce: | Pečiatka predajcu: | Seller's stamp: | Pieczęć sprzedawcy: | Kereskedő  
 bélyegzője:

Způsob opravy: | Spůsob opravy: | Mode of repair: | Sposób naprawy: | Javítás módja:

 Datum vráčení výrobku zpět zákazníkovi: | Dátum vrátenia výrobku späť zákazníkovi: | Date  
 of returning the product back to the customer: | Data zwrotu wyrobu klientowi: | A termék  
 fogyasztó részére való visszaadásának időpontja:

 Den: | Deň: | Měsíc: | Mesiac: | Rok: | 20  
 Day: | Dzień: | Nap: | Month: | Miesiąc: | Hó: | Year: | Év:

 Nová záruční lhůta – prodloužená o délku opravy: | Nová záručná lehota – predĺžená o dĺžku  
 opravy: | New warranty period – extended by the duration of the repair: | Nowy termin gwa-  
 rancjny – przedłużony o czas naprawy: | Ajótállás – kijavítás időtartamával meghosszabbí-  
 tott – új határideje:

 Den: | Deň: | Měsíc: | Mesiac: | Rok: | 20  
 Day: | Dzień: | Nap: | Month: | Miesiąc: | Hó: | Year: | Év:

 Razítko servisu: | Pečiatka servisu: | Stamp of the repair shop: | Pieczęć serwisu: | Szerviz  
 pecsétje:

Autorizovaná servisní střediska | Autorizované servisné strediská | Authorized service centres

**FAST ČR, a. s.**  
 Černokostecká 1621  
 CZ 251 01 Říčany  
 Česká republika  
 Tel.: +420/ 323 204 120  
 Fax: +420/ 323 204 121  
 servis.praha@fastcr.cz  
 www.fastcr.cz

**FAST ČR, a. s.**  
 Cejl 31  
 CZ 602 00 Brno  
 Česká republika  
 Tel.: +420/ 531 010 295  
 Fax: +420/ 531 010 296  
 servis.brno@fastcr.cz  
 www.fastcr.cz

**Fast Plus, spol. s r. o.**  
 Na Pántoch 18  
 SK 831 06 Bratislava  
 Slovenská republika  
 Tel.: +421/2/49 105 854  
 Fax: +421/2/49 105 859  
 servis@fastplus.sk  
 www.fastplus.sk

További információkért | Aby uzyskać więcej informacji | További információkért

**Fast Hungary Kft.**  
 Dulácska u. 1/a.  
 H-2045 Törökbálint  
 Magyarország  
 Tel.: + 36/ 23 330 905  
 Fax: + 36/ 23 330 827  
 info@fasthungary.hu  
 www.fasthungary.hu

**Arconet sp. z o.o.**  
 W celu znalezienia  
 najbliższego serwisu  
 prosimy zadzwonić:  
 0801 44 33 22  
 Lub odwiedzić stronę  
 internetową:  
 www.arconet.pl

**Uab „Senuku Prekybos  
 Centras” Garantinis Servisas**  
 Jonavos G. 62, Lt-44192,  
 Kaunas, Lithuania  
 Tel.: +370 37 212 146  
 Tex.: +370 37 212 165  
 garrem@senukai.lt  
 www.senukai.lt



## Záruční podmínky

Prodávající poskytuje kupujícímu na výrobek záruku v trvání 24 měsíců od převzetí výrobku kupující. Záruka se poskytuje za dále uvedených podmínek. Záruka se vztahuje pouze na nové zboží prodané spotřebiteli za účelem použití uvedeném v příslušném návodu k použití. Práva z odpovědnosti za vady (reklamací) může kupující uplatnit buď u prodávajícího, u kterého byl výrobek zakoupen nebo v místě uvedeném autorizovanou osobou. Kupující je povinen reklamaci uplatnit bez zbytečného odkladu, aby nedocházelo ke zhoršení vady, nejpozději však do konce záruční doby. Kupující je povinen poskytnout při reklamaci součinnost nutnou pro ověření existence reklamované vady. Do reklamčního řízení se přijímá pouze kompletní a z důvodů dodržení hygienických předpisů čistý výrobek. V případě oprávněné reklamacie se záruční doba prodlužuje o dobu od okamžiku uplatnění reklamacie do okamžiku převzetí opraveného výrobku kupujícíem nebo okamžiku, kdy je kupující po skončení opravy povinen výrobek převzít. Kupující je povinen prokázat svá práva reklamováním (doklad o zakoupení výrobku, záruční list, doklad o uvedení výrobku do provozu...).

### Záruka se nevztahuje zejména na:

■ vady, na které byla poskytnuta sleva ■ opotřebení a poškození vzniklé běžným užíváním výrobku ■ po-

škození výrobku v důsledku neoborné či nesprávné instalace, použití výrobku v rozporu s návodem k obsluze, platnými právními předpisy a obecně známými a obvyklými způsoby používání, v důsledku použití výrobku k jinému účelu, než ke kterému je určen ■ poškození výrobku v důsledku zanedbané nebo nesprávné údržby ■ poškození výrobku způsobené jeho znečištěním, neohradou a zásahem vyšší moci (živelná nehoda, požár, vniknutí vody...) ■ vady funkčnosti výrobku způsobené nevhodnou kvalitou signálu, rušivým elektromagnetickým polem apod. ■ mechanické poškození výrobku (napříkladí omezení knoflíku, pád...) ■ poškození způsobené použitím nevhodných médií, náplní, spotřebního materiálu (baterie) nebo nevhodnými provozními podmínkami (např. vysoké okolní teploty, vysoká vlhkost prostředí, otrasy...) ■ poškození, úprava nebo jiný zásah do výrobku provedený neoprávněnou nebo neautorizovanou osobou (servisem) ■ případy, kdy kupující při reklamaci neprokáže oprávněnost svých práv (kdy a kde reklamovaný výrobek zakoupil) ■ případy, kdy se údaje v předložených dokladech liší od údajů uvedených na výrobku ■ případy, kdy reklamovaný výrobek nete zhotovitel výrobkem uvedeným v dokladech, kterými kupující prokazuje svá práva reklamovat (např. poškození výrobního čísla nebo záruční plomba přístroje, přepisované údaje v dokladech...)

## Záručné podmienky

Prodávající poskytuje kupujúcemu na výrobok 24 mesiacov záruku od jeho prevzatia kupujúcim. Záruka sa poskytuje ďalej za nižšie uvedených podmienok. Záruka sa vzťahuje iba na spotrebné tovar predaný spotrebiteľovi na bežné domáce použitie. Práva zo zodpovednosti za chyby (reklamácie) môže kupujúci uplatniť buď u predávajúceho, u ktorého bol výrobok zakúpený alebo v mieste uvedenom autorizovanou servisou. Kupujúci je povinný reklamáciu uplatniť bez zbytočného odkladu, aby nedochádzalo ku zhoršeniu chyby, najneskôr však do konca záručnej doby. Kupujúci je povinný pri reklamacii spolupracovať s oporení existencie reklamovanej chyby. Do reklamčného procesu sa prijíma iba kompletný a z dôvodu dodržania hygienických predpisov neznečistený výrobok. V prípade oprávnenej reklamácie sa záručná doba predlžuje o dobu od okamžiku uplatnenia reklamácie do okamžiku prevzatia opraveného výrobku kupujúcim, keď je kupujúci po skončení opravy povinný výrobok prevziať. Kupujúci je povinný preukázať svoje práva reklamovaním (doklad o zakúpení výrobku, záruční list, doklad o uvedení výrobku do prevádzky...).

### Záruka sa nevzťahuje na:

■ chyby, na ktoré bol poskytnutý zľav ■ opotrebenie a poškodenia vzniknuté bežným užívaním výrobku ■ poškodenie výrobku v dôsledku neobornej

či nesprávnej inštalácie, použítie výrobku v rozpore s návodom na použitie s platnými právnymi predpismi a všeobecné zmanie a obvyklými spôsobmi používania, v dôsledku použítie výrobku za iným účelom, než na ktorý je určený množstvom uvedeným v dôsledku zanedbané alebo nesprávnej údržby ■ poškodenie výrobku spôsobené jeho znečistením, neohradou a zásahom vyššej moci (živelná udalosť, požiar, vniknutie vody...) ■ vady funkčnosti výrobku spôsobené nevhodnou kvalitou signálu, rušivým elektromagnetickým polem a pod. ■ mechanické poškodenie výrobku (napr. zlomenie knoflíka, pád...) ■ poškodenie spôsobené použitím nevhodných médií, náplní, spotrebného materiálu (baterie) alebo nevhodnými prevádzkovými podmienkami (napr. vysoké teploty v okolí, vysoká vlhkosť prostredia, otrasy...) ■ poškodenie, úprava alebo iný zásah do výrobku spôsobený neoprávněnou alebo neautorizovanou osobou (servisom) ■ prípady, keď kupujúci pri reklamacii nepreukáže oprávněnost svojich práv (kedy a kde reklamovaný výrobok zakúpil) ■ prípady, keď sa údaje v predloženej dokladech líšia od údajů uvedených na výrobku ■ prípady, keď reklamovaný výrobok sa neshoduje s výrobkom uvedeným v dokladoch, ktorými kupujúci preukazuje svoje práva reklamovat (napr. poškodenie výrobného čísla alebo záruční plomba přístroje, přepisované údaje v dokladech...)

## Conditions of guarantee

This product is warranted for the period of 24 months from the date of purchase to the end-user. Warranty is limited to the following conditions. Warranty is referred only to the customer goods used for common domestic use. The claim for service can be applied either at dealer's shop where the product was bought, or at below mentioned authorized service shops. The end-user is obligated to set up a claim immediately when the defects appeared but only till the end of warranty period. The end-user is obligated to cooperate to certify the claiming defects. Only completed and clean (according to hygienic standards) product will be accepted. In case of eligible warranty claim the warranty period will be prolonged by the period from the date of claim application till the date of taking over the product by end-user, or the date the end-user is obligated to take it over. To obtain the service under this warranty, end-user is obligated to certify his claim with duly completed following documents: receipt, certificate of warranty, certificate of installation...

**This warranty is void especially if apply as follows:** ■ Defects which were put on sale. ■ Wear-out or damage caused by common use.

■ The product was damaged by unprofessional or wrong installation, used in contrary to the applicable instruction manual, used in contrary to legal enactment and common process of use or used for another purpose which was not designed for. ■ The product was damaged by uncorrected or insufficient maintenance. ■ The product was damaged by dirt, accident of force majeure (natural disaster, fire, flood, ...). ■ Defects on functionality caused by low duality of signal, electromagnetic field interference etc. ■ The product was mechanically damaged (e.g. broken button, fall...). ■ Damage caused by use of unsuitable media, fillings, expendable supplies (batteries) or by unsuitable working conditions (e.g. high temperatures, high humidity, quakes, ...). ■ Repair, modification or other failure action to the product by unauthorized person. ■ End-user did not prove enough his right to claim (time and place of purchase). ■ Data on presented documents differs from data on products. ■ Cases when the claiming product can not be identified according to the presented documents (e.g. the serial number or the warranty seal has been damaged).

## Jótállási feltételek

A FAST Hungary Kft. a termékére a fogyszót részére történő átadástól (vásárlástól), illetve ha az időben helyezett a forgalmazás vagy annak megbízottja végzi, az izembe helyezettől számított 24 hónapig tartó időtartamra vállal jótállást. A jótállási jegyet a jótállási jeggyel, a vásárlástól (izembe helyezettől) számított 1 évig a termék értékesítő forgalmazójánál, illetve a jótállási jegy feltüntetett hivatalos szerviznél közvetlenül is, míg a 13. hónaptól a 24. hónapig kizárólag a hivatalos szerviznél érvényesíthető.

Jótállási jegy hiányában a fogyszóttí szerződés megkötését bizonyítottan kell tekinteni, ha a fogyszó bemutatja a termék ellenértékének megfizetését hitelt érdemlően igazoló bizonylatot. Mindezek érdekében kérjük tisztelt Vásárlóinkat, hogy őrizzék meg a fizetési bizonylatot is. A jótállási időn belüli meghibásodás esetén a fogyszóttí (I) elsősorban - választás szerint - a hibás termék díjmentes kicserélését vagy kicserélését követheti, kivéve, ha a választott igény teljesítése lehetetlen, vagy ha az a jótállási szerződésnek a másik igény teljesítésével összehasonlítva aránytalan többletköltséget eredményezne, (ii) ha

sem kijavításra, sem kicserélésre nincs joga, vagy ha a kötelezett a kijavítást, illetve kicserélést nem vállalta, vagy a kötelezettnek megfelelő határidőn belül, a fogyszóknak okozott jeltétlen árnyékmentes nélkül nem tud eleget tenni, a fogyszó - választás szerint - megfelelő árerezállítást igényelhet vagy előlhat a szerződéstől. Jelentetelen hiba miatt előlállás nincs helyet.

A 151/2003. (IX.22.) Kormányrendeletben meghatározott tartós fogyszóttí cikkek meghibásodása miatt a vásárlástól (izembe helyezettől) számított három munkanapon belül érvényesíthető cseréigény esetén a forgalmazó nem vonatkozhat aránytalan többletköltségre, hanem a forgalmazó köteles a tartós fogyszóttí cikket kicserélni, feltéve, hogy a meghibásodás a rendeltetészerű használatot akadályozza. Javítás esetén a fogyszóttí cikkek csak új alkatrészek kerülnek beépítésre. A jótállásra kötelezett törzskönyv arra, hogy a kijavítás vagy kicserélés 15 napon belül megtörténjen. A rögzített kézzel, illetve a 10kg-nál súlyosabb, vagy tömegközvetítés eszközök kézi csomagolást nélkülözhetetlen fogyszóttí cikket az üzlemeltől szállított kell megjavítani. Ha a javítás az üzmel-

tetés helyén nem végezhető el, a le- és felszerelésről, valamint az el- és visszaszállításról a jótállási kötelezettje gondoskodik. Nem számít bele a jótállási időbe a kijavítási időben a részre, amely alatta a fogyszóttí termék nem tud rendeltetészerűen használni. A jótállási idő a terméknek vagy jeltétlen résznek kicserélésének (termékre) esetén a kicserélés (kijavítás) megkezdésének (termékre) és a kijavítás következményeként jeltétlen hiba tekintetében újbel kezdődik.

**Nem érvényesíthető a jótállási igény, ha** jótállásra kötelezett bizonyítja, hogy a hiba oka a termék fogyszóttí részére való átadását követően keletkezett, így például a hibát ■ nem rendeltetészerű használat, használati útmutató figyelmen kívül hagyása, helytelen szállítás vagy tárolás, lejtés, rongálás, esetenként kiegészítő kiváltó ok (pl. hálozati feszültség megengedettnél nagyobb ingadozása) ■ illetéktelen átalakítás, beavatkozás, nem a hivatalos szerviz által végzett javítás ■ fogyszóttí feladatát követő karbantartási munkák elmulasztása okozta. A jótállási a fogyszóttí termékbeli eredő joggal nem érint.

## Garantijos taisyklės

Šiam gaminiui suteikiama 24 mėnesių nuo įsigijimo datos garantija. Garantija apsiribota žemiau pateiktomis sąlygomis. Garantija skiriama tik gaminiams, skirtiems buitiniam naudojimui. Dėl garantinio reimo pirkėjas gali kreiptis į pardavėjų parduotuvę, kurioje gaminį pirkė, arba į nurodytus įgaliotus techninės priežiūros centrus. Galutinis naudotojas įsipareigoja pateikti pretenziją nedelsiant po defekto atsiradimo, tačiau tik iki garantijos galiojimo periodo pabaigos. Galutinis naudotojas įsipareigoja bendradarbiauti patvirtinant gaminio defektus, dėl kurių pateikiama pretenzija. Priimtas tas tik pilnai sukomplektuotas ir švarus (pagal higienos standartus) gaminis. Jei pretenzija dėl garantinio reimo bus pagrįsta, gaminio garantijos galiojimo periodas bus prailgintas atitinkamam periodu nuo pretenzijos pateikimo datos iki galutinio naudotojas pasims susitąsytą gaminį arba iki datos, kada galutinis naudotojas turėtų pasiimti susitąsytą gaminį. Noredams gauti garantinio reimo paslaugas, galutinis naudotojas turi patvirtinti pretenziją pilnai užpildytas skėnčias dokumentais: pirkimo kvitu, garantiniu laiku, instaliavimo sertifikatu...

**Garantija netaikoma:** ■ Nukainotoms (brūknotoms) prekėms. ■ Įprastini susidėvioms gaminio

daliams ■ Gedimams, atsiradusiems neprofesionaliai ar neteisingai gaminį instaliavus, nesilaikant gaminio naudojimo instrukcijų, naudojant gaminį ne pagal įstatymu numatytą standartus ar įprastinius tokiu tipu gaminių naudojimo procesus, naudojant gaminių kitai paskirčiai nei numatyta. ■ Gedimams, atsiradusiems dėl netinkamos ar nepakankamos gaminio priežiūros. ■ Gedimams, atsiradusiems dėl purvo, neungulamos jėgos aplinkybių (stichinių nelaimių, gaisro, potvynio, ...). ■ Gedimams, atsiradusiems dėl prastos kokybės signalo, elektromagnetinio lauko trikdžių ir kt. ■ Radus mechaninių pažeidimų (pvz. sulaužyti mygtukai, kritimo požymiai...) ■ Gedimams, atsiradusiems naudojant gaminį su netinkamomis laikmenomis, jungiant prie netinkamų tinklų, dedant į gaminį netinkamus matavimo šaltinius (baterijas) ar dėl bet kokių kitų netinkamų naudojimo sąlygų (pvz. aukštos temperatūros, didelės drėgmės, žemes drėgmės...). ■ Nustatūdas, kad gaminis taisytais, modifikuotas ar ardytas neįgaligali tai daryti asmeniū. ■ Jei galutinis naudotojas neturi visų reikalingų dokumentų, įrodančių jo teisę į garantinį reimą (pvz. dokumento, kur būtu nurodytas gaminio įsigijimo laikas ir vieta). ■ Jei data pateiktose dokumentuose skiriasi nuo datos ant gaminio.

## Warunki gwarancji

Produkt objęty jest 24 - miesięczną gwarancją, począwszy od daty zakupu przez klienta. Gwarancja jest ograniczona tylko do przedstawianych dalej warunków. Gwarancja obejmuje tylko produkt zakupione w Polsce i stosowany tylko na terytorium Rzeczypospolitej Polskiej. Gwarancja obejmuje tylko produkt funkcjonujący w warunkach gospodarstwa domowego (nie dotyczy produktów oznaczonych jako „Professional“). Zgłoszenie gwarancyjnego można dokonać w autoryzowanej punkt serwisowy w możliwie krótkim terminie, nie przekraczającym 14 dni roboczych. Okres gwarancji przedłuża się o czas pobytu sprzętu na serwisie. Klient może ubiegać się o wymianę sprzętu na nowy od wad, jeżeli punkt serwisowy stwierdził na piśmie, że usunięcie wady jest niemożliwe. Aby produkt mógł być przyjęty przez serwis, użytkownik jest zobowiązany dostarczyć oryginalny dowód zakupu (paragon lub faktura), podjęty i wypełniony karty gwarancyjnej, certyfikatu instalacji (niektóre produkty).

**Gwarancja zostaje unieważniona, jeśli:** ■ usterka była widoczna w chwili zakupu, ■ usterka wynika ze zwykłego użytkowania i zużycia, ■ produkt został uszkodzony z powodu złej instalacji, nie zastosowania się do instrukcji obsługi lub użytkownika niezgodnego z przeznaczeniem, ■ produkt został uszkodzony z powodu złej konserwacji lub jej braku, ■ produkt został uszkodzony z powodu zanieczyszczenia, wypadku lub okoliczności o charakterze siły wyższej (powódź, pożar, wojna, zamieszki itp.) ■ produkt wykazuje złe działanie z powodu słabego sygnału, uszkodzeń elektromagnetycznych itp., ■ produkt został uszkodzony mechanicznie (np. wylatamy przycisk, upadek, itp.), ■ produkt został uszkodzony z powodu użycia niewłaściwych materiałów eksploatacyjnych, nośników, akcesoriów, baterii, akumulatorów itp. ■ produkt był modyfikowany przez nieautoryzowaną osobę, ■ użytkownik nie jest w stanie udowodnić zakupu (niezbytliwy paragon lub faktura), ■ dane na przedstawianych dokumentach są inne niż na urządzeniu, ■ produkt nie może być zidentyfikowany ze względu na uszkodzenie numeru seryjnego lub plomby gwarancyjnej.



Vom Verkäufer auszufüllen. | Para ser llenado el vendedor. | À remplir par le vendeur.  
 | Popuni prodavatelj. | Da compilare dal venditore. | Door de verkoper in te vullen.

Name: Denominación: Dénomination: Naziv: Nome: Naam:

Typ: Modelo: Type: Tip: Tipo:

Produktionsnummer: | No. de serie: Numéro de référence: Numer serjyny: Numero di  
 fabbricazione broj szám: Serienummer:

Im Falle einer Reparatur vom Service auszufüllen. | Para ser llenado por el servicio, en caso de  
 reparación. | À remplir par le service de réparation en cas de réparation. | U slučaju popravke  
 popuni servis. | Nel caso di un riparo va compilato dal Centro di Assistenza. | Door servicecentrum  
 in te vullen bij reparatie.

Datum der Bekanntmachung des Anspruchs auf Garantie: | Fecha de notificación de derecho  
 a garantía: | Date de notification de l'application de la garantie: | Datum obavijesti jamstvenog  
 zahtjeva: | Data della notifica del diritto alla garanzia: | Datum waarop beroep op garantie is  
 gedaan:

Tag: Día: Jour: Monat: Mes: Mois: Jahr: Año: Année: 20  
 Dan: Giorno: Dag: Mjesec: Mese: Maand: Godina: Anno: Jaar:

Datum der Übernahme zur Reparatur: | Fecha de aceptación para reparación: | Date de la  
 remise au service de réparation: | Datum prijema za popravku: | Data della presa in carico  
 per riparazione: | Datum waarop reparatie is aangekomen:

Tag: Día: Jour: Monat: Mes: Mois: Jahr: Año: Année: 20  
 Dan: Giorno: Dag: Mjesec: Mese: Maand: Godina: Anno: Jaar:

Grund der Störung: | Motivo de la avería: | Cause du défaut: | Przyczyna awarii: | Motivo del  
 guasto: | Reden van defect

A termék azonosításra alkalmas részeinek meghatározása [amennyiben alkalmazható]:

Nummer des Verkaufsbeleges: | No. de documento de venta: | Numéro de document de vente:  
 | Broj kupoprodajnog dokumenta: | N. documento di vendita: | Nummer van aankoopbewijs:

Datum des Einkaufs [Inbetriebnahme]: | Fecha de compra [puesta en servicio]: | Date d'achat  
 [Mise en service]: | Datum kupnje [puštanja u pogon]: | Data di acquisto [messa in funzione]:  
 | Aankoopdatum [ingebruikname]:

Tag: Día: Jour: Monat: Mes: Mois: Jahr: Año: Année: 20  
 Dan: Giorno: Dag: Mjesec: Mese: Maand: Godina: Anno: Jaar:

Stempel des Verkäufers: | Sello del vendedor: | Tampon du vendeur: | Pečat prodavatelja:  
 | Timbro del venditore: | Stempel van verkoper:

Art der Reparatur: | Forma de reparación: | Type de réparation: | Način popravke: | Tipología  
 di riparazione: | Wijze van repareren:

Datum der Rückgabe des Produktes dem Kunden: | Fecha de devolución del producto al  
 cliente: | Date de la remise du produit au client: | Datum povratka proizvoda natrag kupcu:  
 | Data del ritiro del prodotto da parte del cliente: | Datum waarop klant product weer in  
 ontvangst heeft genomen:

Tag: Día: Jour: Monat: Mes: Mois: Jahr: Año: Année: 20  
 Dan: Giorno: Dag: Mjesec: Mese: Maand: Godina: Anno: Jaar:

Neue Garantiefrist - verlängert um die Dauer der Reparatur: | Nuevo plazo de garantía -  
 prorrogado por el tiempo de reparación: | Nouveau délai de garantie - prolongé de la durée  
 de la réparation: | Novi jamstveni rok - produžen o trajanje popravke: | Nuovo termine di  
 garanzia, rinnovato a seguito di riparazione: | Dieuwe garantietermijn - verlenging met de  
 duur van reparatie

Tag: Día: Jour: Monat: Mes: Mois: Jahr: Año: Année: 20  
 Dan: Giorno: Dag: Mjesec: Mese: Maand: Godina: Anno: Jaar:

Stempel der Servicestelle: | Sello del servicio | Tampon du service de réparation: | Pečat  
 servisa: | Timbro del Centro di Assistenza Tecnica: | Stempel van servicecentrum:

### Autorisierte Servicestellen | Centros de servicio autorizados | Centres autorisés de réparation

#### FAST ČR, a. s.

Černokostelecká 1621  
 CZ 251 01 Říčany  
 Česká republika  
 Tel.: +420/ 323 204 120  
 Fax: +420/ 323 204 121  
 servis.praha@fastcr.cz  
 www.fastcr.cz

#### FAST ČR, a. s.

Cejl 31  
 CZ 602 00 Brno  
 Česká republika  
 Tel.: +420/ 531 010 295  
 Fax: +420/ 531 010 296  
 servis.brno@fastcr.cz  
 www.fastcr.cz

#### Fast Plus, spol. s r. o.

Na Pántoch 18  
 SK 831 06 Bratislava  
 Slovenská republika  
 Tel.: +421/2/49 105 854  
 Fax: +421/2/49 105 859  
 servis@fastplus.sk  
 www.fastplus.sk

### Autorizirana servisna centra | Centri di Assistenza autorizzati | Geautoriseerde servicecentra

#### Fast Hungary Kft.

Dulácska u. 1/a.  
 H-2045 Törökbálint  
 Magyarország  
 Tel.: + 36/ 23 330 905  
 Fax: + 36/ 23 330 827  
 info@fasthungary.hu  
 www.fasthungary.hu

#### Arconet sp. z o.o.

W celu znalezienia  
 najbliższego serwisu  
 prosimy zadzwonić:  
 0801 44 33 22  
 Lub odwiedzić stronę  
 internetową:  
 www.arconet.pl

#### Uab „Senuku Prekybos

Centras” Garantinis Servisas  
 Jonavos G. 62, Lt.-44192,  
 Kaunas, Lithuania  
 Tel.: +370 37 212 146  
 Tex.: +370 37 212 165  
 garrem@senukai.lt  
 www.senukai.lt



## Garantiebedingungen

Der Verkäufer gewährt dem Kunden eine Garantie auf das Produkt in der Länge von 24 Monaten nach der Übernahme des Produktes durch den Käufer. Die Garantie wird zu den unten genannten Bedingungen gewährt. Die Garantie bezieht sich nur auf die Artile, die dem Verbraucher zur in der entsprechenden Betriebsanleitung genannten Nutzung verkauft worden sind. Die Rechte aus der Mängelhaftung (Beanspruchung) kann der Käufer direkt beim Verkäufer geltend machen, bei dem das Produkt gekauft wurde, oder in der unten genannten autorisierten Servicestelle. Der Käufer ist verpflichtet, die Beanspruchung ohne unnötigen Verzug geltend zu machen, so dass sich der Mangel nicht verschlechtert, spätestens bis Ende der Garantiefrist. Der Käufer ist verpflichtet, bei der Beanspruchung Hilfe beim Prüfen des Bestehens des beanstandeten Mangels zu leisten. Zur Beanspruchung können nur komplette und aus hygienischen Gründen auch saubere Produkte angenommen werden. Wenn die Beanspruchung gerechtfertigt ist, verlängert sich die Garantiezeit um die Zeit von der Geltendmachung der Beanspruchung bis zum Moment der Übernahme des reparierten Produktes durch den Käufer oder bis zum Moment, wenn der Käufer nach Beendigung der Reparatur verpflichtet ist, das Produkt zu übernehmen. Der Käufer ist verpflichtet, sein Recht auf Beanspruchung nachzuweisen (Kaufbeleg, Garantiechein, Beweis über die Inbetriebnahme des Produktes...).

**Die Garantie bezieht sich vor allem nicht auf:**  
 ■ Mängel, auf die Rabatt gewährt worden ist ■ Verschleiß und Beschädigung durch die übliche Benutzung des

Produktes ■ Beschädigung des Produktes infolge unsachgemäßer oder falscher Installation, Benutzung des Produktes im Widerspruch zur Betriebsanleitung, zu den gültigen Rechtsvorschriften und den allgemein bekannten und üblichen Nutzungsmethoden, infolge der Nutzung des Produktes zu einem anderen Zweck, als für welches das Produkt bestimmt ist ■ Beschädigung des Produktes infolge vernachlässigter oder falscher Wartung ■ Beschädigung des Produktes durch Verschmutzung, Unfall oder durch höhere Gewalt (Naturkatastrophen, Brand, Eindringen von Wasser...) ■ Funktionsfehler des Produktes durch ungenügende Qualität des Signals, ein störendes elektromagnetisches Feld usw. ■ mechanische Beschädigung des Produktes (z. B. Bruch des Knopfes, Sturz...) ■ Beschädigung durch ungeeignete Medien, Füllungen, Verbrauchsmaterial (Batterie) oder ungeeignete Betriebsbedingungen (z. B. hohe Umgebungstemperatur, hohe Feuchtigkeit des Umfelds, Erschütterungen...) ■ Beschädigung, Anpassung oder einen anderen Eingriff in das Produkt durch eine nicht berechnete oder nicht autorisierte Person (Service) ■ Fälle, wenn der Käufer bei der Beanspruchung die Berechtigung seiner Rechte nicht nachweist (wenn und wo das beanstandete Produkt gekauft wurde) ■ Fälle, wenn sich die Angaben in den vorgelegten Belegen von den am Produkt angeführten Angaben unterscheiden ■ Fälle, wenn das beanstandete Produkt mit dem in den Belegen, mit denen der Käufer sein Recht auf Beanspruchung nachweist, angeführten Produkt nicht identifiziert werden kann (z. B. Beschädigung der Produktionsnummer oder Garantieplombe des Gerätes, überschriebene Angaben in den Belegen...)

## Condiciones de garantía

El vendedor proporcionará una garantía de 24 meses al comprador a partir de la recepción del producto por parte de éste. La garantía se otorga bajo las siguientes condiciones. La garantía se aplica solamente a los productos nuevos que se venden a los consumidores para el uso indicado en las instrucciones de manejo correspondientes. Los derechos de responsabilidad de defectos (reclamación) el comprador los puede aplicar, ya sea en el vendedor donde compró el producto o en el centro de servicio autorizado abajo indicado. El comprador está obligado a hacer una reclamación sin demora justificada para evitar el deterioro del defecto, pero a más tardar a finales del periodo de garantía. El comprador está obligado a establecer la existencia de las causas antes una reclamación para verificar la sinceridad del defecto reclamado. En el procedimiento de reclamación sólo se acepta el producto íntegro y limpio por razones de cumplimiento de normas de higiene. En caso de reclamaciones justificadas, el periodo de garantía se extiende por el periodo comprendido entre el momento de hecho la reclamación y el momento en que el comprador recoge el producto reparado, o a partir del momento en que el comprador está obligado a recoger el producto después de reparado. El comprador está obligado a probar su derecho a reclamar (comprobante de compra, hoja de garantía, documento de puesta en servicio del producto...).

**La garantía no se aplica a:**  
 ■ defectos que fueron objeto de rebaja ■ desgaste y daños causados por el uso normal del producto ■ daños en el producto debido a una instalación inadecuada o inco-

recta, el uso del producto en contradicción con las instrucciones de manejo, las normas jurídicas vigentes y los patrones de uso conocidos y convencionales. Daños en el producto, debido a un uso diferente de aquel para el que fue concebido ■ daños en el producto por negligencia o mantenimiento inadecuado ■ daños en el producto causados por su contaminación, accidente y por fuerza mayor (desastres naturales, incendios, penetración de agua...) ■ defectos en el funcionamiento del producto causados por mala calidad de la señal, interferencia de campo electromagnético, etc. ■ daños mecánicos en el producto (p.ej., rotura del botón, caída...) ■ daños causados por el uso de medios inadecuados, accesorios, materiales consumibles (baterías) o condiciones de trabajo inadecuadas (tales como temperaturas ambiente elevadas, alta humedad, estrechamientos...) ■ daños, modificación o cualquier otra intervención en el producto por personas no cualificadas o no autorizadas (por el centro de servicios) ■ los casos en que el comprador no prueba la legitimidad de sus derechos a reclamar (fecha y lugar donde compró el producto reclamado) ■ los casos en que los datos en los documentos referidos de la información contenida en el producto ■ los casos en que el producto mencionado no puede ser identificado con el producto mencionado en los documentos, con los que el comprador prueba su derecho a reclamar (p.ej., daños en el número de serie o el sello de garantía del dispositivo, datos transcritos en los documentos...)

## Conditions de garantie

Le vendeur accorde à l'acheteur une garantie de produit s'établant sur 24 mois à partir de la date de livraison par l'acheteur. La garantie s'applique selon les conditions suivantes. La garantie concerne uniquement la nouvelle marchandise vendue au consommateur pour une utilisation conforme au mode d'emploi relatif. L'acheteur peut faire valoir ses droits à la garantie des défauts (la réclamation) auprès du vendeur qui lui a vendu le produit ou auprès d'un des services autorisés indiqués ci-dessous. La réclamation doit être faite par l'acheteur sans tarder afin d'éviter la détérioration du défaut, avant la fin de la période de garantie au plus tard. Lors de la réclamation, la coopération de l'acheteur est nécessaire pour vérifier l'existence du défaut réclamé. Seulement un produit complet et, pour des raisons d'hygiène, propre est accepté pour la procédure de réclamation. En cas de réclamation justifiée, la période de garantie est prolongée de la période allant du moment de l'application de la réclamation jusqu'à la reprise du produit réparé par l'acheteur ou jusqu'à la réception du produit réparé par le vendeur après la réalisation de sa réparation. L'acheteur doit prouver ses droits à la réclamation (la production du justificatif d'achat, de la fiche de garantie, du certificat de la mise en service du produit...).

**La garantie ne s'applique pas notamment:**  
 ■ aux défauts non mentionnés dans une promotion ■ à l'usure et l'endommagement provoqués par l'utilisation courante du produit ■ à l'endommagement du produit provoqué par une installation défectueuse ou incorrecte, à l'utilisation du produit non conforme au mode d'emploi, aux prescriptions juridiques en vigueur, et aux utilisations généralement connues et ha-

bituelles, à l'endommagement du produit provoqué par l'usage impropre auquel celui-ci n'est pas destiné. ■ à l'endommagement du produit provoqué par la négligence de l'utilisateur ou l'entretien incorrect. ■ à l'endommagement du produit provoqué par l'encrassement, l'accident ou la force majeure (le sinistre, l'infiltration d'eau...) ■ aux vices de fonctionnement provoqués par la mauvaise qualité de signal, le champs magnétiques interférent, etc. ■ à l'endommagement mécanique du produit (p.e. le bouton cassé, la chute...) ■ à l'endommagement du produit provoqué par les médias inconvénables, la charge, le matériel de consommation (les piles) ou par les conditions de fonctionnement inconvénables (p.e. la température environnementale trop élevée, l'humidité, l'environnement important, les secousses...) ■ aux cas où l'acheteur ne prouve pas, lors de la réclamation, le bien fondé de ses droits (le lieu et le jour de son achat du produit) ■ aux cas où les données figurant dans les documents présentés diffèrent de celles du produit. ■ aux cas où il n'est pas possible d'identifier le produit faisant l'objet de réclamation au produit figurant dans les documents présentés par l'acheteur afin de faire valoir ses droits à la réclamation (p.e. le numéro de référence ou le plomb de garantie de l'appareil endommagé, les informations figurant dans les documents rectifiés...)

## Jamstveni

Prodavatelj daje kupcu jamstvo na proizvod u trajanju od 24 mjeseca od dana primika proizvoda jamstvo. Jamstvo se daje pod sljedećim uvjetima. Jamstvo se odnosi samo na novu robu koja je prodana potrošaču u svrhu korištenja koje je navedeno u odgovarajućoj uputi za korištenje. Prava koja proizlaze iz odgovornosti za nedostatke (reklamaciju) može kupac primijeniti kod prodavatelja kod kojeg je kupio proizvod ili u dole navedenom autoriziranom servisu. Kupac je obavezan reklamaciju primijeniti bez suvnišnog odlaganja, kako bi se izbjeglo pogoršanje nedostatka, ali najkasnije do kraja jamstvenog roka. Kupac je dužan pružiti potrebnu saradnju kod reklamacije koja je neophodna za provjeru postojanja reklamiranog nedostatka. U reklamacijski postupak prima se samo kompletni i u izvornom održavanju higijenski propisati proizvod. U slučaju opravdane reklamacije se jamstveni rok produžava o razdoblje od trenutka primljene reklamacije do trenutka primika popravljene proizvoda kupcem ili trenutka, kada je kupac nakon okončanja popravke obavezan proizvod preuzeti. Kupac je dužan dokazati svoja prava za reklamaciju (kuponirani dokument o kupnji proizvoda, jamstveni list, dokoment o postojanju proizvoda u popon...).

**Jamstvo se ne odnosi naime na:**  
 ■ nedostatke na koje je bio pružen popust ■ habanje ili oštećenje koje je nastalo normalnim korištenjem proizvoda ■ oštećenje koje je uzrokom nestrušne ili neispravne instalacije,

korištenja proizvoda u suprotnosti sa uputom za opsluživanje, važećim pravim propisima i opće poznatim i uobičajenim načinima korištenja, iz razloga korištenja proizvoda u druge svrhe nego kojima je namijenjen ■ oštećenje proizvoda iz razloga znanerarnog ili neispravnog održavanja ■ oštećenje proizvoda iz razloga nepravilnog upravljanja, nezgodom i utjecajem više sile (elementarna nepogoda, požar, prodor vode...) ■ nedostatke u funkcionalnosti proizvoda koje su proizrokovane neopovratnim kvalitativnim signalima, smetnjom elektromagnetskim polja ili ■ mehaničko oštećenje proizvoda (npr. slomljenje gumbe, pad...) ■ oštećenje proizrokovano korištenjem neispravnih media, punjenja, potrošačkog materijala (baterije) ili nepogodnim radnim uvjetima (npr. visoke temperature u okolišu, visoka vlažnost okoliša, potresi...) ■ oštećenja, prilagodbu ili nerazgovorno izvršenu na proizvodu neovlaštenim ili ne autoriziranim osobama (servisom) ■ slučajevima kada kupac prikloni reklamacije ne može dokazati opravdanost njegovih prava (kada i gdje je kupio reklamirani proizvod) ■ slučajevima kada su podaci u predrečnim informacijama razlikovali od podataka navedenih na proizvodu ■ slučajevima kada proizvod nije mogao identificirati sa proizvodom koji je naveden u dokumentima, kojima kupac dokazuje svoja prava za reklamaciju (npr. oštećenje proizvodnog broja ili jamstvena plomba uređaja, prepisani podaci u dokumentima...)

## Condizioni di garanzia

Il Venditore garantisce il prodotto per il periodo di 24 mesi dalla presa in consegna del prodotto da parte dell'Acquirente. La garanzia è concessa alle condizioni citate in seguito. La garanzia si riferisce solo alla merce nuova, venduta all'interno di fini di utilizzo indicati nel relativo manuale d'uso. L'Acquirente può far valere i diritti per la responsabilità per difetti (il reclamo) o presso il Venditore, presso il quale il prodotto è stato comprato, o in un Centro di Assistenza autorizzato indicato sotto. L'Acquirente è tenuto a far valere il reclamo senza indugi, affinché non si avveri un peggioramento del difetto, e comunque entro e non oltre la scadenza dei termini di garanzia. Presentando il reclamo, l'Acquirente è tenuto a collaborare in modo necessario ai fini della verifica dell'esistenza del difetto reclamato. Nella procedura del reclamo viene ammesso solo un prodotto completo e pulito a garanzia delle norme sull'igiene. Nel caso di un reclamo giustificato, il termine di garanzia viene prolungato del periodo che è trascorso dal momento della presentazione del reclamo al momento della presa in consegna, da parte dell'Acquirente, del prodotto riparato o al momento in cui l'Acquirente è tenuto a ritirare il prodotto alla fine della riparazione. L'Acquirente è tenuto a dimostrare il proprio diritto a presentare il reclamo (il documento di acquisto del prodotto, il certificato di garanzia, un documento attestante la messa del prodotto in funzione...).

**Non sono coperti dalla garanzia soprattutto:**  
 ■ dife ti per i quali è già stato concesso uno sconto ■ il logoramento e il danneggiamento del prodotto, provocati dal suo uso abituale ■ il danneggiamento del produ-

to in seguito ad un'installazione scorretta o non professionale, alla fine dell'uso del prodotto contrario al manuale d'uso, alle norme giuridiche valide e generalmente conosciute e alle norme abituali d'uso, in seguito all'utilizzo del prodotto per fini diversi da quelli previsti ■ il danneggiamento del prodotto in seguito a una manutenzione trascurata o scorretta ■ il danneggiamento del prodotto provocato dal suo imbrattamento, da un incidente, o dovuto a forza maggiore (una calamità naturale, un incendio, un'infiltrazione d'acqua...) ■ difetti alla funzionalità del prodotto, provocati dalla qualità inadatta del segnale, da un campo elettromagnetico di disturbo, ecc. ■ il danneggiamento meccanico del prodotto (p.e. lo staccamento di un pulsante, la caduta del prodotto a terra...) ■ il danneggiamento provocato dall'utilizzo di supporti, refill e materiale di consumo (batterie) inadatti, oppure dalle condizioni di esercizio inadatte (p.e. un'elevata temperatura circostante, un'elevata umidità dell'ambiente, eventuali urti...) ■ il danneggiamento, la modifica o un altro intervento effettuato da una persona (centro assistenza) non autorizzata o non abilitata ■ casi in cui l'Acquirente, presentando il reclamo, non dimostra la fondatezza dei propri diritti (quando e dove egli ha acquisito il prodotto reclamato) ■ casi in cui i dati nei documenti esibiti differiscono da quelli indicati sul prodotto ■ casi in cui il prodotto reclamato non può essere identificato con il prodotto indicato nei documenti con i quali l'Acquirente dimostra il suo diritto al reclamo (p.e. il danneggiamento del numero di fabbricazione oppure del sigillo di garanzia dell'apparecchio, dati trascritti nei documenti...)

## Garantievoorwaarden

De verkoper geeft de eindgebruiker een garantie van 24 maanden op het product vanaf de dag van de aankoop. Deze garantie is geldig onder de volgende voorwaarden. Garantie is alleen van toepassing op nieuwe goederen die aan de consument zijn verkocht met als doel deze te gebruiken in overeenstemming met de gebruiksaanwijzing en het doel waarvoor ze gemaakt zijn. De eindgebruiker kan een beroep doen op de garantie bij de verkoper waar hij het product heeft gekocht of bij een hieronder vermeld, geautoriseerd servicecentrum. De eindgebruiker is verplicht om het product zo snel mogelijk, maximaal voor het einde van de garantietermijn, terug te sturen om te voorkomen dat het defect verder verslechtert. De eindgebruiker moet in geval van reparatie binnen de garantietermijn meewerken aan het documenteren van het geconstateerde defect. Alleen complete artikelen die volgens de hygiënische voorschriften zijn gereinigd, kunnen ter reparatie worden aangenomen. Indien het product voor reparatie in aanmerking komt, wordt de garantietermijn verlengd met de periode vanaf het moment dat de reparatie is aangevraagd tot het moment dat de eindgebruiker het gerepareerde product weer in ontvangst neemt of wanneer de eindgebruiker het na afronding van de reparatie verplicht om ontvangst te nemen. De eindgebruiker is verplicht om zijn recht op reparatie te bewijzen (aankoopbon, garantiebewijs, bewijs van gebruik van het product...).

**De garantie vervalt indien er sprake is van:**  
 ■ defecte producten waarop korting is gegeven ■ slijtage of defecten als gevolg van normaal gebruik ■ defecten als gevolg van oneigenlijk of verkeerd gebruik, van gebruik

dat niet in overeenstemming met de gebruiksaanwijzing, geldende wettelijke voorschriften en algemeen bekende en normale manieren van gebruik of van gebruik voor andere doeleinden dan voor het product zijn voorgeschreven ■ schade aan het product als gevolg van verwaarloosd of onjuist onderhoud ■ schade aan het product als gevolg van het gebrek aan reinigen, ongevallen en externe oorzaken (rampen, brand, overstroming...) ■ defecten in de functies van het product als gevolg van onjuiste netvoeding, storing van een elektromagnetisch veld, etc. ■ mechanische defecten aan het product (bijv. afbreken van de knoppen, val...) ■ schade als gevolg van het gebruik van ongeschikte media, vullingen, vording (batterijen) of ongeschikte operationele omstandigheden (bijv. hoge omgevings temperatuur, zeer vochtige omgeving, aardbevingen...) ■ schade of reparatie of andere ingrepen die niet door-bevoegd of niet-geautoriseerde personen (of serviceorganisaties) aan het product zijn gedaan ■ gevallen waarin de eindgebruiker bij een verzoek tot reparatie binnen de garantietermijn niet bewijst dat hij daar recht op heeft (wanneer en waar hij het teruggestuurde product heeft aangevraagd) ■ gevallen waarin de gegevens op de overgede documenten verschillen van de gegevens die op het product vermeld worden. ■ gevallen waarin de teruggestuurde product niet geïdentificeerd kan worden aan de hand van het product dat vermeld wordt in de documenten waarmee de eindgebruiker zijn recht op reparatie binnen de garantietermijn uitoefent (bijv. beschadigde serienummers of garantiestempel, veranderde gegevens in de documenten...)



Заполняется продавцом.

Название:

Тип:

Серийный номер изделия

В случае ремонта заполняется сервисной организацией.

Дата обращения в сервисный центр:

Число: ..... Месяц: ..... Год: 20 .....

Дата принятия в ремонт:

Число: ..... Месяц: ..... Год: 20 .....

Причина неисправности:

A termék azonosításra alkalmas részeinek meghatározása (amennyiben alkalmazható):

Номер документа, подтверждающего продажу:

Дата покупки (ввода в эксплуатацию):

Число: ..... Месяц: ..... Год: 20 .....

Печать продавца:

Способ ремонта:

Дата возврата изделия обратно заказчику:

Число: ..... Месяц: ..... Год: 20 .....

Новый гарантийный срок – продлен на срок проведения ремонта:

Число: ..... Месяц: ..... Год: 20 .....

Печать сервисной организации:

#### Авторизованные сервисные центры

##### AO «FAST ČR»

Чернокостелецка 1621  
251 01 Ржицаны  
Чешская Республика  
Тел.: +420/323 204 120  
Факс: +420/323 204 121  
servis.praha@fastcr.cz  
www.fastcr.cz

##### AO «FAST ČR»

Цейл 31  
602 00 Брно  
Чешская Республика  
Тел.: +420/531 010 295  
Факс: +420/531 010 296  
servis.brno@fastcr.cz  
www.fastcr.cz

##### 000 «FAST Plus»

На Пантох 18  
831 06 Братислава  
Словацкая Республика  
Тел.: +421/2/49 105 854  
Факс: +421/2/49 105 859  
servis@fastplus.sk  
www.fastplus.sk

#### Авторизованные сервисные центры

##### Fast Hungary Kft.

Dulácska u. 1/a.  
H-2045 Törökbálint  
Magyarország  
Тел.: + 36/ 23 330 905  
Факс: + 36/ 23 330 827  
info@fasthungary.hu  
www.fasthungary.hu

##### Arconet sp. z o.o.

W celu znalezienia  
najbliższego serwisu  
prosimy zadzwonić:  
0801 44 33 22  
Lub odwiedzić stronę  
internetową:  
www.arconet.pl

##### Uab „Senuku Prekybos Centras” Garantinis Servisas

Jonavos G. 62, Lt-44192,  
Kaunas, Lithuania  
Тел.: +370 37 212 146  
Тех.: +370 37 212 165  
garrem@senukai.lt  
www.senukai.lt



## Условия гарантии

Продавец предоставляет покупателю гарантию на товар в течение 24 месяцев с момента получения товара покупателем. Гарантия предоставляется при соблюдении следующих условий. Гарантия распространяется только на новый товар, проданный потребителю для целей использования, указанных в соответствующей инструкции по эксплуатации. Покупатель имеет право обратиться с претензией, связанной с ответственностью за некачественный товар (рекламацией), непосредственно к продавцу, у которого был приобретен товар, либо в авторизованный сервисный центр, указанный ниже. Покупатель обязан предъявлять рекламацию без необоснованной задержки, чтобы избежать ухудшения неисправности, но не позднее, чем до конца истечения гарантийного срока. Покупатель обязан при решении рекламации оказывать содействие, необходимое для проверки наличия заявленного дефекта. В рамках процедуры рассмотрения жалоб принимается только комплектный и, в целях соблюдения гигиенических правил, чистый товар. В случае если претензия является обоснованной, гарантийный срок продлевается на период с момента принятия товара для проведения гарантийного ремонта изделия по моменту получения отремонтированного товара покупателем, либо по моменту, когда покупатель обязан получить товар после проведения гарантийного ремонта. Покупатель обязан предъявлять документы, подтверждающие его право на проведение гарантийного ремонта (документ, подтверждающий покупку, гарантийный талон, документ о вводе в эксплуатацию ...).

### Гарантийные обязательства на товар, главным образом, не распространяются на:

■ недостатки, на которые была предоставлена скидка ■ износ и повреждения, вызванные обычным использованием изделия ■ повреждения изделия в результате неспециализированной или неправильной установки и монтажа, использования изделия в противоречии с Инструкцией по эксплуатации, действующим законодательством и общепринятыми способами использования, в связи с использованием товара для других целей, чем те, для которых он предназначен ■ повреждения изделия, связанные с пренебрежением или неправильным техническим обслуживанием ■ повреждения изделия, вызванные его загрязнением, аварией и форс-мажорными обстоятельствами (стихийными бедствиями, пожаром, попаданием воды ...) ■ неисправности изделия, вызванные неадекватным качеством сигнала, помехами электромагнитного поля и т.д. ■ механические повреждения изделия (например, отломанная кнопка, падение ...) ■ повреждения, вызванные использованием неподходящих носителей, расходных материалов (батарей) или в результате ненадлежащих условий эксплуатации (напр., высокой температуры окружающей среды, высокой влажности, ударов ...) ■ повреждения, изменения или другое вмешательство в результате самостоятельного ремонта изделия или ремонта, проведенного неуполномоченным или неавторизованным лицом (сервисным центром) ■ случаи, когда покупатель не подтвердит правомерность своих прав на гарантийный ремонт (когда и где был приобретен товар, на который распространяется гарантия) ■ случаи, когда данные в предоставленных документах отличаются от информации, содержащейся на изделии ■ случаи, когда изделие, на которое заявлена рекламация, не является тождественным с изделием, указанным в документах, которыми покупатель подтверждает свое право на проведение гарантийного ремонта (напр., повреждение серийного номера или гарантийной пломбы устройства, исправление данных в документах ...)







 **FIELDMANN**<sup>®</sup>  
Home & Garden Performance