

Manual

Food Dehydrator G21 Breezer



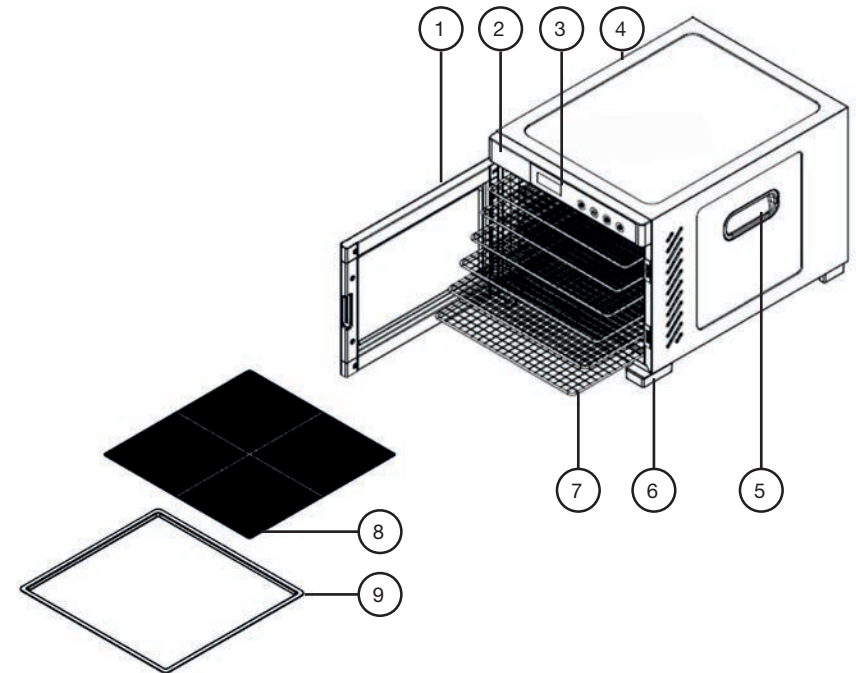


EN

Thank you for purchasing our product.

Before using this unit, please read this manual in order to avoid improper handling and use of the device.

Description:



- | | | |
|------------------|------------|-------------------------|
| 1. Door | 4. Housing | 7. Stainless steel tray |
| 2. Panel | 5. Handle | 8. Mesh |
| 3. Control panel | 6. Feet | 9. Fruit roll tray |

Optional accessories:

Mesh Tray

(Put the mesh on the stainless steel tray)

Use for smaller items such as herbs and berries, and sticky items such as banana & tomatoes.

Non-stick sheet (Fruit Roll Tray)

Put the mesh on the stainless steel tray, makes delicious fruit rolls naturally.

When not using as Fruit Roll Tray, store it at the bottom of the unit as a crumb tray.

Safety Instruction

The following basic precautions should always be adhered to when using the electrical appliance.

Please read this instruction carefully before use and retain for future reference.

1. This appliance is not intended for use by persons (including children) with limited physical, sensual or mental capabilities, or with lack of experience and knowledge, unless they have been given supervision or instructions regarding use of the appliance by a person responsible for their safety.
2. Do not use it for outdoors.
3. When using the food dehydrator ensures that it is on a flat, level and sturdy surface, ensure no risk that it may fall .Also that it can take the weight of the unit during use.
4. Failure to follow all the instructions listed may result in electric shock, fire or serious personal injury .The warnings, cautions and instructions discussed in this instruction manual cannot cover all possible conditions and situations that may occur while the product in use.
5. Do not leave the food dehydrator unattended during use.
6. Always keep the food dehydrator out of children as they are unable to recognize the hazards associated with incorrect handling of electrical appliances.
7. Before plugging the food dehydrator into the mains electrical supply, check that the voltage and power supply comply with the specifications on the food dehydrator's rating label.
8. Make sure that the food dehydrator is switched off and remove the plug from the mains electrical supply when it is not in use; before it is cleaned and whilst it is being repaired.
9. Ensure that the food dehydrator and power cord is not hung over sharp edges and keep away from hot objects and open flames; otherwise the plastic will melt and cause a fire.
10. Under no circumstances should the food dehydrator or plug be immersed in water or any other liquid .Do not use the appliance with wet hands.
11. Check the food dehydrator and power cord regularly for damage.
12. Do not use the food dehydrator should there be damage to the plug or cord, following a malfunction, or after it has been dropped or damaged in any way.
13. If the supply cord is damaged, it must be replaced by the manufacturer, its service agent or similarly qualified persons in order to avoid a hazard.
14. Repairs to the food dehydrator should only be performed by a qualified electrician .Improper repairs may place the user at risk.
15. None of the product's parts are dishwasher safe, unless explicitly specified otherwise.
16. Always turn the power off at the power outlet before you insert or remove a plug. Remove by grasping the plug; do not pull on the cord.
17. Do not use your appliance with an extension cord unless this cord has been checked and tested by a qualified technician or service person.
18. Never use an unauthorized attachment.
19. Avoid contact with moving parts. Keep hands, hair, clothing, spatulas and other utensils away during operation to reduce the risk of injury to persons and/or damage to the machine.
20. Please don't turn the draught of engine towards others or tinder.
21. Please don't keep it beside anything heating. Please keep the plug away from pressing; otherwise it will cause a fire or electric shock.
22. If you pass this appliance on to a third party, these operating instructions must also be handed over.
23. The appliance is not intended to be operated by means of an external timer or separate remote-control system.

Caution:

- To reduce the risk of electric shock, do not immerse or expose the product, flexible cord or plug to rain, moisture or any liquid.
- Do not use the product near baths, basins or other vessels containing water or other liquids, or when standing in or on damp or wet surfaces. Don't keep the device in the watery environment;
- Keep the device away the place of high temperature ray and wetly.
- Don't operate the device with wet hands.
- Please turn off the power supply in the watery environment.
- In the event where the appliance is dropped into the water, turn off the power at the power outlet and remove the plug immediately.

DO NOT REACH INTO THE WATER TO RETRIEVE IT.

- It is important to note that the appliance will have to be inspected by a qualified technician before using it again.
- **ATTENTION!** Do not run the appliance for more than 48hours in one single use. After 48 hours. Unplug and let it cool down for at least 2 hours before operating again.
- Do not operate near gas spray cans.
- Incorrect operation and improper handling can lead to malfunction of the appliance and injuries to the user.
- The power cord can not be squeezed by something heavy or sharp, otherwise it will cause a fire or electric shock.
- The temperature of accessible surface may be high when the appliance is operating.

Feature of Dehydrator

This unit features an automatic fan, which circulates warm air producing a nice evenly dried device!

Dried foods are a great treat to snack on because they hold almost all of their nutritional value and flavor.

Perfect way to preserve fruit, snacks, vegetables, flowers and more.

6 stainless steel trays, each tray can't over 0,6kg food.

It can remove one or more trays to increase the space for thicker food.

Easy to clean up of the trays.

The drip tray can collect the residue, easy for cleaning.

Close the door when drying.

BEFORE FIRST USE

1. Remove all packaging from your dehydrator and its accessories. Make sure all package contents are included.
2. Clean the trays with a moistened cloth.
3. Place the dehydrator base on a solid, level surface. Plug in. Stack the drying trays in the dehydrator.
4. Run the dehydrator for 30 minutes on the maximum temperature, without adding any food. Make sure that the room has sufficient ventilation, in case the dehydrator produces any smoke or smells. This is normal.
5. Rinse the trays in water. Dry all parts.

NOTE: You only need to do this the first time you use the dehydrator.

DRYING TIPS:

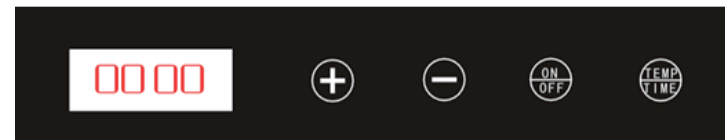
Drying time for pre-treatment fruit will vary according to the following factors:

1. thickness of pieces or slices
2. number of trays with food being dried
3. volume of food being dried
4. moisture or humidity in your environment
5. your preferences of drying for each type of dried food

It is recommended to:

- Check your food every hour.
- Label food with contents dried, date and weight before drying. It will also be helpful to note the drying time for future reference.
- Pretreated food will give the best effect in drying.
- Correct food storage after drying also will help to keep food in good quality and save the nutrients.

Using your dehydrator



1. Put the clean food in the trays – Do not overload the trays and never overlap the food.
Close the door.
2. Plug in. The dehydrator will beep 1 time, the ON/OFF” light up and the display will show “8888”.
3. Press the “ON/OFF” button, The LED screen will show default time setting “10:00” and temp setting “70°C”. Motor and fan start first, then heating element start working 5 seconds later. Set time begins to count down, the signal “:” on LED screen flashes.
4. Press TEMP/TIME ,The temperature will blink on the display.
Use + or - to change the temperature (temperature range -35°C-75°C).

NOTE: Temperature changes in 5°C increments. Press and hold + or - to change the temperature rapidly.
5. After finished setting temperature ,press TEMP/TIME again to choose time.
The time will blink on the display, use + or - to change the time (time range 0:30–48:00).

NOTE: Time changes in 30 minute increments. Press and hold + or - to change the time rapidly.
6. After finished setting temperature and time, the product will start to work.

NOTE: During drying process, press the “ON/OFF” button, all functions will be paused. The screen shows “0000”.

NOTE: Optionally, you can change the time and temperature at any time by pressing TEMP/TIME. Press the “TEMP/TIME” button first, then press the „+“ or „-“ button.
7. 7. When the timer finishes, the heating element stops working first. The fan will continue running for 10 seconds and the buzzer rings 20 times „beep“ sound (1 time/second).

Unplug the unit after finished drying.

Fruit and vegetables dried in your food dehydrator will be different in appearance from those sold in health food stores and supermarkets. This is due to your food dehydrator uses no preservatives, no artificial coloring and only natural additives.

Records of humidity, weight of produce before and after drying times, will be helpful to improving your drying techniques for the future.

STORAGE

- Store food only after they have cooled down.
- Food can be kept longer if stored in a cool, dry and dark place.
- Remove all the air you possibly can from the storage container and close tightly.
- Optimal storage temperature is 15°C or lower.
- Never store food directly in a metal container.
- Avoid containers that “breathe” or have a weak seal.
- Check the contents of your dried food for moisture during the weeks following dehydration. If there is moisture inside, you should dehydrate the contents for a longer time to avoid spoiling.
- For best quality, dried fruit, vegetables, herbs, nuts, bread should not be kept for more than 1 year, if kept in the refrigerator or freezer.
- Dried meats, poultry and fish should be stored for no more than 3 months if kept in the refrigerator, or 1 year if kept in the freezer.

Maintenance/Cleaning Method

After using, unplug the dehydrator from the power supply and let it cool down before cleaning.

Use a soft brush to remove food sticking on the trays.

Dry all parts with a dry cloth before storing the dehydrator.

Clean the surface of body with cloth.

Use paper towels to remove any excess marinade.

Do not clean the appliance with aggressive chemicals or abrasives in order not to damage the surface.

Technical specification:

Voltage: 220-240 V, 50/60 Hz

Power: 550-650 W

Timer: 00:30-48:00

Temperature: 35°C - 75°C

Vegetable preparation table

Product	Preparation	State after drying	Time (hours)	Recommended temperature (°C)
Artichokes	Cut into 1/3 inch strips. Boil about 10 minutes.	Brittle	6 - 14	57
Asparagus	Cut into 1-inch pieces. Tips yield better product.	Brittle	6 - 14	52
Beans	Cut and steam blanch until translucent.	Brittle	8 - 26	57
Beets	Blanch, cool, remove tops and roots. Slice.	Brittle	8 - 26	57
Brussel Sprout	Cut sprouts from stalk. Cut in half lengthwise.	Crispy	8 - 30	52
Broccoli	Trim and cut. Steam tender, about 3 to 5 min.	Brittle	6 - 14	52
Cabbage	Trim and cut into 1/8 inch strips. Cut core into 1/4 inch strips.	Leathery	6 - 14	52
Carrots	Steam until tender. Shred or cut into slices.	Leathery	6 - 12	52
Cauliflower	Steam blanch until tender. Trim and cut.	Leathery	6 - 16	52
Celery	Cut stalks into 1/4 inch slices.	Brittle	6 - 14	52
Chives	Chop.	Brittle	6 - 10	52
Cucumber	Pare and cut into 1/2 inch slices.	Leathery	6 - 18	52
Eggplant/Squash	Trim and slice 1/4 inch to 1/2 inch thick.	Brittle	6 - 18	52
Garlic	Remove skin from clove and slice.	Brittle	6 - 16	52
Hot Peppers	Dry whole.	Leathery	6 - 14	52
Mushrooms	Slice, chop, or dry whole.	Leathery	6 - 14	52
Onions	Slice thinly or chop.	Brittle	8 - 14	63
Peas	Shell and blanch for 3 to 5 minutes .	Brittle	8 - 14	52
Peppers	Cut into 1/4 inch strips or rings. Remove seeds.	Brittle	4 - 14	52
Potatoes	Slice, dice or cut. Steam blanch 8 to 10 min.	Brittle	6 - 18	52
Rhubarb	Remove outer skin and cut into 1/8 inch lengths.	No moisture	6 - 38	57
Spinach	Steam blanch until wilted, but not soggy. Kale, etc.	Brittle	6 - 16	52
Tomatoes	Remove skin. Cut in halves or slices.	Leathery	6 - 24	52
Zucchini	Slice into 1/4 inch pieces.	Brittle	6 - 18	52

The English version of the manual is an exact translation of the original manufacturer's instructions. Images used in this manual are for illustrational purposes only and may differ from the actual product.

Fruit preparation table

Product	Preparation	State after drying	Time (hours)	Recommended temperature (°C)
Apples	Pare, core and cut slices or rings pliable.	Pliable	5 - 6	57
Apricots	Clean, cut in halves or in slices.	Pliable	12 - 38	57
Bananas	Peel and cut into 1/8 inch slices.	Crisp	8 - 38	57
Berries	Cut strawberries into 3/8 inch slice Other berries whole.	No moisture	8 - 26	57
Cherries	Pitting is optional, or pit when 50% dry.	Leathery	8 - 34	57
Cranberries	Chop or leave whole.	Pliable	6 - 26	57
Dates	Pit and slice.	Leathery	6 - 26	57
Figs	Slice.	Leathery	6 - 26	57
Grapes	Leave whole.	Pliable	8 - 38	57
Nectarines	Cut in half, dry with skin side down. Pit when 50% dry.	Pliable	8 - 26	57
Orange	Rind Peel in long strips.	Brittle	8 - 16	57
Peaches	Pit when 50% dry. Halve or quarter with cut side up.	Pliable	10 - 34	57
Pears	Peel and slice.	Pliable	8 - 30	57
Herbs, rose hip	Slice, chop, or dry whole.	No moisture	6 - 10	40

Making beef jerky

As with nearly all foods, it is important to start with a quality cut of meat. Select a lean flank or round steak about 1 to 1 1/2 inches thick. Trim off all fat and connective tissue. Fat hampers the ability of the meat to dry, and the connective tissue will make the beef jerky hard to chew.

For easier cutting, place meat in the freezer for about 30 minutes to partially freeze. Then turn it over and freeze for an additional 15 minutes. Cut across the grain into strips.

Marinate the strips for at least 3 hours, or even overnight.

Meat may be seasoned with salt, pepper, garlic or onion powder, or other spices.

Drain marinated strips on paper towels, and place the strips on drying trays (remember to protect the dehydrator from dripping foods as described earlier in this manual). Dehydrate until strips are quite dry, and stiff to bending but can be bent without breaking This will take from 6 to 16 hours. Unlike other dried meats, Jerky should be slightly chewy but not brittle.

Jerky marinade

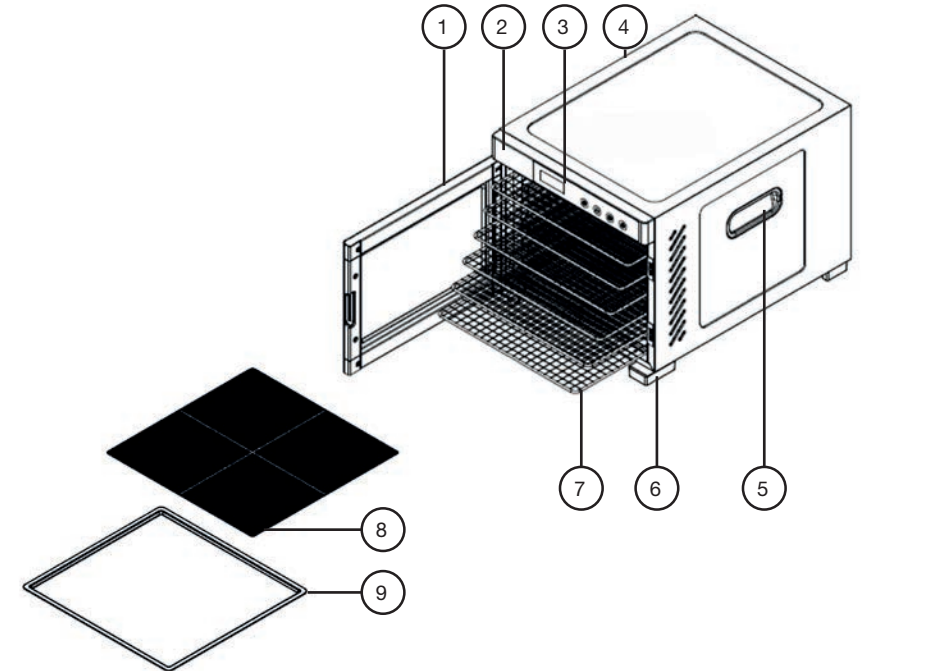
- ½ cup soy sauce
- 2 tbsp. brown sugar
- ½ cup of Worcester sauce
- ½ tsp onion powder
- garlic clove, mashed
- 2 tbsp. ketchup
- 1-1 ¼ tsp salt
- ½ tsp pepper

DE

Vielen Dank, dass Sie sich für unser Produkt entschieden haben.

Bevor Sie das Gerät benutzen, lesen Sie bitte die Bedienungsanleitung sorgfältig durch, um sich mit allen Sicherheitshinweisen vertraut zu machen.

Geräteteile



- | | | |
|----------------|--------------------|--------------------------------|
| 1. Tür | 4. Geräteabdeckung | 7. Platte aus rostfreiem Stahl |
| 2. Panel | 5. Griff | 8. feines Sieb |
| 3. Schalttafel | 6. Füße | 9. Schale (optionales Zubehör) |

Optionales Zubehör:

Feines Sieb

Legen Sie das fein Sieb auf eine Edelstahlplatte.

Geeignet zum Trocknen von kleineren Zutaten wie Kräutern, Beeren und klebrigen Rohstoffen wie Bananen und Tomaten.

Schale (optionales Zubehör)

Legen Sie die Schale auf einen rostfreien Teller und machen Sie köstliche Obstbrötchen.

Wenn Sie die Schale nicht zum Trocknen des flüssigen Rohmaterials verwenden, legen Sie es in den Boden des Trockners als Tablett für verbleibende Partikel.

Sicherheitshinweise

Befolgen Sie immer diese grundlegenden Vorsichtsmaßnahmen, wenn Sie dieses elektrische Gerät verwenden.

Bitte lesen Sie dieses Handbuch vor der Verwendung und bewahren Sie es zum späteren Nachschlagen auf.

1. Dieses Gerät ist nicht für den Gebrauch durch Personen (einschließlich Kinder) mit eingeschränkten körperlichen, sensorischen oder geistigen Fähigkeiten oder mangelnder Erfahrung und Wissen bestimmt. Die einzige Ausnahme ist, wenn sie von einer für ihre Sicherheit verantwortlichen Person überwacht oder in die Verwendung des Geräts eingewiesen werden.
2. Verwenden Sie den Speisetrockner nicht in Außenbereichen.
3. Wenn Sie den Speisetrockner verwenden, stellen Sie sicher, dass er auf einer ebenen, flachen und festen Oberfläche steht, damit er nicht herunterfallen kann. Berücksichtigen Sie auch das Gewicht des Geräts.
4. Die Nichtbeachtung dieser Anweisungen kann zu einem elektrischen Schlag, Feuer oder schweren Verletzungen führen. Warnungen, Vorsichtshinweise und Anweisungen in diesem Handbuch können nicht alle möglichen Umstände und Situationen abdecken, die bei der Verwendung des Geräts auftreten können.
5. Lassen Sie das Gerät während des Betriebs nicht unbeaufsichtigt.
6. Bewahren Sie das Gerät immer außerhalb der Reichweite von Kindern auf, da diese das Risiko einer unsachgemäßen Handhabung dieses elektrischen Geräts nicht erkennen können.
7. Bevor Sie das Gerät an eine Steckdose anschließen, vergewissern Sie sich, dass die auf dem Typenschild des Geräts angegebene Spannung der tatsächlichen Spannung entspricht.
8. Stellen Sie sicher, dass der Trockner ausgeschaltet und nicht angeschlossen ist, wenn Sie ihn reinigen oder reparieren.
9. Stellen Sie sicher, dass sich der Trockner und sein Kabel nicht über dem Rand der Arbeitsfläche befinden, und halten Sie ihn von heißen Gegenständen und offenem Feuer fern. Andernfalls kann der Kunststoff auf dem Trockner schmelzen und ein Feuer kann entstehen.
10. Tauchen Sie das Gerät oder seinen Stecker unter keinen Umständen in Wasser oder andere Flüssigkeiten. Verwenden Sie das Gerät nicht mit nassen Händen.
11. Überprüfen Sie das Gerät und das Steckerkabel regelmäßig, um festzustellen, ob es beschädigt ist.
12. Verwenden Sie das Gerät nicht, wenn das Kabel mit dem Stecker beschädigt ist oder wenn das Gerät eine Funktionsstörung hat, auf den Boden gefallen ist oder auf andere Weise beschädigt ist.
13. Wenn das Instrumentenkabel beschädigt wurde, muss es vom Hersteller, dessen Serviceabteilung oder ähnlich qualifizierten Personen ausgetauscht werden.
14. Reparaturen am Speisetrockner dürfen nur von einer Elektrofachkraft ausgeführt werden. Unsachgemäße Reparaturen können den Benutzer gefährden.
15. Sofern nicht ausdrücklich anders angegeben, sind alle Geräteteile nicht für Spülmaschinen geeignet.
16. Schalten Sie das Gerät immer aus, bevor Sie es anschließen oder aus der Steckdose ziehen. Ziehen Sie das Kabel ab, indem Sie den Stecker festhalten. Ziehen Sie das Kabel nicht heraus.
17. Verwenden Sie dieses Gerät nicht mit dem Verlängerungskabel, es sei denn, das Kabel wurde von einem qualifizierten oder Servicetechniker geprüft und getestet.
18. Verwenden Sie niemals Zubehör, das nicht original ist.
19. Vermeiden Sie den Kontakt mit beweglichen Teilen des Geräts. Halten Sie Hände, Haare, Kleidung, Spachtel und andere Küchengeräte während des Betriebs von Ihrem Gerät fern. Dies verringert die Gefahr von Verletzungen und / oder Beschädigungen des Geräts.
20. Drehen Sie keine Luftkanäle, durch die die heiße Luft vom Motor aus dem Trockner austritt, zur Wand oder zu brennbaren Gegenständen, aber in den offenen Bereich.

21. Stellen Sie den Speisetrockner nicht auf eine direkte Wärmequelle. Stellen Sie sicher, dass der Steckverbinder nirgendwo gedrückt wird. Andernfalls kann es zu einem Brand oder Stromschlag kommen.
22. Wenn Sie den Speisetrockner einer anderen Person übergeben, muss diese Bedienungsanleitung auch dieser Person gegeben werden.
23. Dieses Gerät ist nicht zur Verwendung mit einem externen Timer oder einem anderen Steuerungssystem vorgesehen.

Warnungen:

- Um die Gefahr eines Stromschlags zu verringern, tauchen Sie das Produkt und das Einsteckkabel nicht in das Wasser und setzen Sie es nicht weder Regen noch Feuchtigkeit oder anderen Flüssigkeiten aus
- Verwenden Sie das Gerät nicht in der Nähe von Badewannen, Waschbecken und anderen Behältern, die Wasser oder andere Flüssigkeiten enthalten, und legen Sie es nicht auf nassen oder feuchten Oberflächen ab. Bewahren Sie das Gerät nicht in einer feuchten Umgebung auf.
- Setzen Sie den Trockner keinen hohen Temperaturen, Sonneneinstrahlung und Feuchtigkeit aus.
- Verwenden Sie das Gerät nicht mit nassen Händen.
- Schalten Sie das Kabel des Geräts in feuchten Umgebungen aus.
- Wenn das Gerät ins Wasser fällt, schalten Sie die Stromversorgung aus und ziehen Sie sofort den Steckverbinder ab.

ENTFERNEN SIE DAS GERÄT NICHT AUS DEM WASSER, WENN DER STROM ANGESCHALTET IST.

- Es ist wichtig zu wissen, dass das Gerät zuerst von einem qualifizierten Techniker überprüft werden muss, bevor es erneut verwendet wird.
- **BEACHTUNG!** Verwenden Sie das Gerät während einer Verwendung nicht länger als 48 Stunden. Wenn der Trockner bereits 48 Stunden in Betrieb ist, ziehen Sie den Netzstecker aus der Steckdose und lassen Sie ihn mindestens 2 Stunden abkühlen, bevor Sie ihn wiederverwenden.
- Verwenden Sie das Gerät nicht in der Nähe von Gassprays.
- Unsachgemäße Bedienung und unrichtige Handhabung des Geräts können zu Geräteausfällen und Verletzungen des Benutzers führen.
- Das Netzkabel darf nicht unter schweren oder scharfen Gegenständen geklemmt werden, da dies zu einem Brand oder Stromschlag führen kann.
- Die Temperatur der Unterlage unter dem Trockner kann während des Betriebs hoch sein.

Eigenschaften des Trockners

Das Gerät ist mit einer automatischen Steuerung für die Warmluftzirkulation ausgestattet. Daher ist das Trocknen der Lebensmittel in diesem Trockner gleichmäßig.

Getrocknete Lebensmittel bewahren fast alle Nährwerte und ändern ihren Geschmack nicht. Sie sind daher eine gute Wahl als gesunder Snack.

Es ist eine großartige Möglichkeit, Obst, kleine Lebensmittel, Gemüse, Kräuter und vieles mehr aufzubewahren.

Der Trockner ist mit 6 rostfreien Schalen ausgestattet, die Kapazität jeder Zahlung beträgt 0,6kg Rohstoffe.

Es ist möglich, ein oder mehrere Schalen zu entfernen und mehr Raum zum Trocknen von stärkeren Rohstoffen zu schaffen.

Schalen ist leicht zu reinigen.

Verwenden Sie zur einfacheren Reinigung die Schale des Trockners, die die Partikel und Rückstände auffängt.

Schließen Sie die Tür während des Trocknens.

Vor dem ersten Gebrauch

1. Entfernen Sie alle Verpackungen aus dem Trockner und seinem Zubehör. Überprüfen Sie den Inhalt der Verpackung.
2. Reinigen Sie die Schalen mit einem feuchten Tuch.
3. Stellen Sie den Trockner auf eine feste, ebene Fläche. Steck es ein. Legen Sie die Schalen in den Trockner.
4. Schalten Sie den Trockner 30 Minuten lang auf Höchsttemperatur ein, ohne dass Zutaten daraufgelegt werden. Stellen Sie sicher, dass der Raum ausreichend belüftet ist. Es ist normal, dass der Trockner Rauch oder Geruch produziert.
5. Spülen Sie die Schalen mit Wasser ab und trocknen Sie sie.

Hinweis: Dies ist nur vor der ersten Verwendung des Geräts durchzuführen.

Tipps zum Trocknen

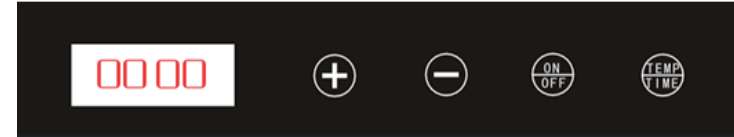
Trocknungszeiten können aufgrund folgender Faktoren variieren:

1. Dicke von Stücken oder Scheiben
2. Anzahl der Schalen mit zu trocknendem Futter
3. Volumen getrockneter Lebensmittel
4. Luftfeuchtigkeit in Ihrer Umgebung
5. Ihre persönlichen Vorlieben für jede Obstsorte

Wir empfehlen beim Trocknen

- Überprüfen Sie die getrockneten Lebensmittel jede Stunde.
- Notieren Sie das Gewicht der getrockneten Lebensmittel und wie lange Sie das Lebensmittel getrocknet haben.
- Die richtige Lagerung der Lebensmittel nach dem Trocknen hält die Lebensmittel in guter Qualität und bewahrt die Nährstoffe.

Verwendung des Geräts



1. Legen Sie die gereinigten Lebensmittel auf die Schalen. Überfüllen Sie die Schale nicht und überlappen Sie die Lebensmittel nicht.
2. Stecken Sie das Gerät in die Steckdose. Der Trockner piept einmal, die ON / OFF-Taste leuchtet auf und „8888“ erscheint im Display.
3. Drücken Sie die ON / OFF-Taste. Die Standardeinstellung „10:00“ und die Temperatur „70°C“ erscheinen auf der LED-Anzeige. Der Motor und das Gebläse werden zuerst gestartet und nach 5 Sekunden läuft die Heizung an. Dann startet der Countdown der eingestellten Trockenzeit und das Symbol „:“ blinkt auf der LED-Anzeige.
4. Drücken Sie die TEMP / TIME-Taste. Die Temperatur blinkt im Display.

Verwenden Sie die + oder - Taste, um die Temperatur einzustellen (Einstellbereich der Temperatur ist 35°C - 75°C).

HINWEIS: Die Temperatur wird auf 5 ° C eingestellt. Halten Sie die + oder - Taste gedrückt, um die Temperatur schneller einzustellen.

5. Wenn Sie die Temperatur eingestellt haben, drücken Sie erneut die TEMP / TIME-Taste, um die Trocknungszeit einzustellen.

Die Uhrzeit blinkt auf dem Display. Verwenden Sie die + oder - Taste, um die Uhrzeit einzustellen (der Zeiteinstellungsbereich ist 0: 30-48: 00).

HINWEIS: Die Zeit kann im 30-Minuten-Intervall eingestellt werden. Halten Sie die + oder - Taste gedrückt, um die Zeit schneller einzustellen.

6. Nach dem Einstellen der gewünschten Temperatur und Zeit beginnt das Gerät zu arbeiten.

HINWEIS: Wenn Sie während des Trocknens die ON / OFF-Taste drücken, werden alle Funktionen gestoppt. Im Display erscheint „0000“.

HINWEIS: Drücken Sie zuerst die Taste „TEMP / TIME“ und dann die Taste „+“ oder „-“.

7. Nach Ablauf der Trocknungszeit wird zuerst die Heizung abgeschaltet. Der Lüfter bläst noch 10 Sekunden lang und der Summer piept 20 Mal (einmal pro Sekunde).
8. Trockner nach dem Trocknen aus der Steckdose ziehen.

In Ihrem Trockner getrocknetes Obst und Gemüse unterscheidet sich optisch von getrocknetem Obst und Gemüse, das in Geschäften und Supermärkten gekauft wird. Dies liegt daran, dass getrocknete Früchte und Gemüse ohne Konservierungsstoffe, künstliche Farbstoffe und andere Zutaten getrocknet werden.

Durch die Erfassung der Luftfeuchtigkeit und des Gewichts getrockneter Lebensmittel vor und nach dem Trocknen können Sie die Trocknungstechnik in Zukunft verbessern.

Lagerung

- Bewahren Sie das getrocknete Lebensmittel nur nach dem Abkühlen auf.
- Lebensmittel sind länger haltbar, wenn sie kühl, trocken und dunkel gelagert werden.
- Entfernen Sie möglichst viel Luft aus dem Beutel oder der Flasche, in der Sie die getrockneten Lebensmittel aufbewahren. Dann fest verschließen.
- Die optimale Lagertemperatur beträgt 15 ° C oder weniger.
- Bewahren Sie das Trockengut niemals in einem Metallbehälter auf.
- Nicht in Behältern mit Löchern oder Behältern mit schlechtem Verschluss aufbewahren.
- Überprüfen Sie nach dem Trocknen und Lagern von Lebensmitteln, dass sie nicht feucht sind. Wenn das Lebensmittel feucht ist, sollten Sie es längere Zeit trocknen, damit es nicht faul wird.
- Getrocknete Früchte, Gemüse, Kräuter, Nüsse usw. sollten nicht länger als 1 Jahr gelagert werden, wenn sie in einem Kühlschrank oder Gefrierschrank aufbewahrt werden.
- Getrocknetes Fleisch, Geflügel und Fisch sollten nicht länger als 3 Monate gelagert werden, wenn sie im Kühlschrank aufbewahrt werden, und nicht länger als 1 Jahr im Gefrierschrank.

Wartung / Reinigungsmethoden

Trennen Sie den Trockner nach dem Gebrauch von der Steckdose und lassen Sie ihn abkühlen, bevor Sie ihn reinigen.

Verwenden Sie eine weiche Bürste und entfernen Sie die Reste von getrockneten Lebensmitteln auf den Trockenplatten.

Bevor Sie den Trockner lagern, trocknen Sie alle Teile.

Waschen Sie die Oberfläche des Trockners mit einem Tuch.

Verwenden Sie Papiertücher und entfernen Sie überschüssige Marinade.

Reinigen Sie den Trockner nicht mit aggressiven Chemikalien oder Scheuermitteln, um die Oberfläche des Trockners nicht zu beschädigen.

Technische Spezifikationen:

Spannung: 220-240 V, 50/60 Hz

Leistung: 550-650 W

Timer: 00:30-48:00

Temperatur: 35 °C - 75 °C

Vorbereitung von Gemüse - Tabelle

Produkte	Vorbereitung	Zustand nach dem Trocknen	Zeit (Stunden)	Empfohlene Temperatur (°C)
Artischocken	In 8 mm Streifen schneiden. 10 Minuten kochen.	Spröde	6 - 14	57
Spargel	In 2,5 cm Stücke schneiden Spitzen ergeben bessere Ergebnisse.	Spröde	6 - 14	52
Bohnen	Schneiden und im Dampf glasig blanchieren.	Spröde	8 - 26	57
Rote Bete	Blanchieren, abkühlen, Strunk und Wurzeln abschneiden, in Scheiben schneiden.	Spröde	8 - 26	57
Rosenkohl	Röschen vom Stiel abschneidender Länge nach in Hälften schneiden.	Knusprig	8 - 30	52
Broccoli	Zerteilen und schneiden, kurz dämpfen, ca. 3 - 5 min.	Spröde	6 - 14	52
Kohl	Zerteilen und in 3 mm Streifen schneiden, Kern in 6 mm Streifen.	Ledrig	6 - 14	52
Karotten	Dämpfen bis sie weich sind, reiben oder in Scheiben schneiden.	Ledrig	6 - 12	52
Blumenkohl	Im Dampf blanchieren, bis er weich ist, zerteilen und schneiden.	Ledrig	6 - 16	52
Sellerie	Stangen in 6 mm Scheiben schneiden.	Spröde	6 - 14	52
Schnittlauch	Hacken.	Spröde	6 - 10	52
Gurke	Schälen und in 1,3 cm Scheiben schneiden.	Ledrig	6 - 18	52
Aubergine / Kürbis	Zerteilen und in Scheiben 6 - 12 mm schneiden.	Spröde	6 - 18	52
Knoblauch	Haut von Zehen entfernen und in Scheiben schneiden.	Spröde	6 - 16	52
Chili Paprika	Im Ganzen trocknen.	Ledrig	6 - 14	52
Pilze	In Scheiben schneiden, hacken, oder im Ganzen trocken.	Ledrig	6 - 14	52
Zwiebeln	In dünne Scheiben schneiden oder hacken.	Spröde	8 - 14	63
Erbsen	Palen und blanchieren für 3 - 5 Minuten.	Spröde	8 - 14	52
Paprika	In 6 mm Streifen oder Ringe schneiden, Entkernen.	Spröde	4 - 14	52
Kartoffeln	In Scheiben oder Würfel schneiden, im Dampf blanchieren 8 - 10 min.	Spröde	6 - 18	52
Rhabarber	Schälen und 3 mm lange Stücke schneiden.	Keine Feuchtigkeit	6 - 38	57
Spinat	Im Dampf blanchieren, bis Blätter weich aber nicht matschig sind.	Spröde	6 - 16	52
Tomaten	Häuten, In Hälften oder Scheiben schneiden.	Ledrig	6 - 24	52
Zucchini	In Scheiben schneiden, in 6 mm Stücke.	Spröde	6 - 18	52

Die deutsche Version der Anleitung ist eine genaue Übersetzung der Anleitung des Herstellers.

Die in diesem Handbuch verwendeten Bilder dienen nur zur Illustration und können nicht genau das Produkt entsprechen.

Vorbereitung von Früchten - Tabelle

Produkte	Vorbereitung	Zustand nach dem Trocknen	Zeit (Stunden)	Empfohlene Temperatur (°C)
Äpfel	Schälen, entkernen, und in Scheiben oder Ringe schneiden.	Geschmeidig	5 - 6	57
Aprikosen	In 6 mm Streifen schneiden.	Geschmeidig	12 - 38	57
Bananen	Säubern, in Hälften oder Scheiben schneiden.	Knusprig	8 - 38	57
Beeren	Schälen und in 3 mm Scheiben schneiden.	Keine Feuchtigkeit	8 - 26	57
Kirschen	Erdbeeren in 1 cm Scheiben schneiden, andere Beeren im Ganzen trocknen.	Ledrig	8 - 34	57
Cranberries / Preiselbeeren	Hacken oder Ganz lassen.	Geschmeidig	6 - 26	57
Datteln	Entkernen und in Scheiben schneiden.	Ledrig	6 - 26	57
Feigen	In Scheiben schneiden.	Ledrig	6 - 26	57
Trauben	Ganz lassen.	Geschmeidig	8 - 38	57
Nektarinen	In Hälften schneiden, mit der Hautseite nach unten trocknen; entkernen wenn 50% trocken.	Geschmeidig	8 - 26	57
Orangen	Schale in lange Streifen schneiden	Spröde	8 - 16	57
Pfirsiche	Entkernen wenn 50% trocken, halbieren oder vierteln, mit Schnittseite nach oben.	Geschmeidig	10 - 34	57
Birnen	Schälen und in Scheiben schneiden.	Geschmeidig	8 - 30	57
Kräuter	In Scheiben schneiden, hacken, oder im Ganzen trocken.	Keine Feuchtigkeit	6 - 10	40

Dörrfleisch Herstellung

Wie bei fast allen Lebensmitteln, ist es wichtig, Fleisch von sehr guter Qualität zu verwenden. Verwenden Sie mageres Fleisch aus der Flanke oder runde Steaks etwa 2 - 4 cm dick. Entfernen Sie Fett und Bindegewebe. Fett behindert den Trocknungsprozess des Fleisches, und das Bindegewebe macht das Dörrfleisch zäh und schwer zum Kauen.

Um das Zerschneiden zu erleichtern, geben Sie das Fleisch für etwa 30 Minuten in den Gefrierschrank damit es teilweise einfriert. Dann drehen Sie es um und lassen es für weitere 15 Minuten im Gefrierschrank. Danach quer zur Faser in Streifen schneiden.

Marinieren Sie die Streifen für mindestens 3 Stunden oder über Nacht.

Sie können das Fleisch mit Salz, Pfeffer, Knoblauch und Zwiebelpulver oder anderen Gewürzen würzen.

Tupfen Sie die marinierten Streifen mit Papierhandtücher ab und legen Sie die Streifen auf die Trockenfächer (denken Sie daran, keine tropfenden Lebensmittel in den Dörrautomaten zu geben, wie in diesem Handbuch weiter oben beschrieben). Trocknen Sie die Streifen bis sie ziemlich trocken und steif sind, aber ohne zu brechen, dies dauert etwa 6-16 Stunden. Im Gegensatz zu anderem Trockenfleisch, sollte Dörrfleisch etwas zäh, aber nicht spröde sein.

Dörrfleisch Marinade

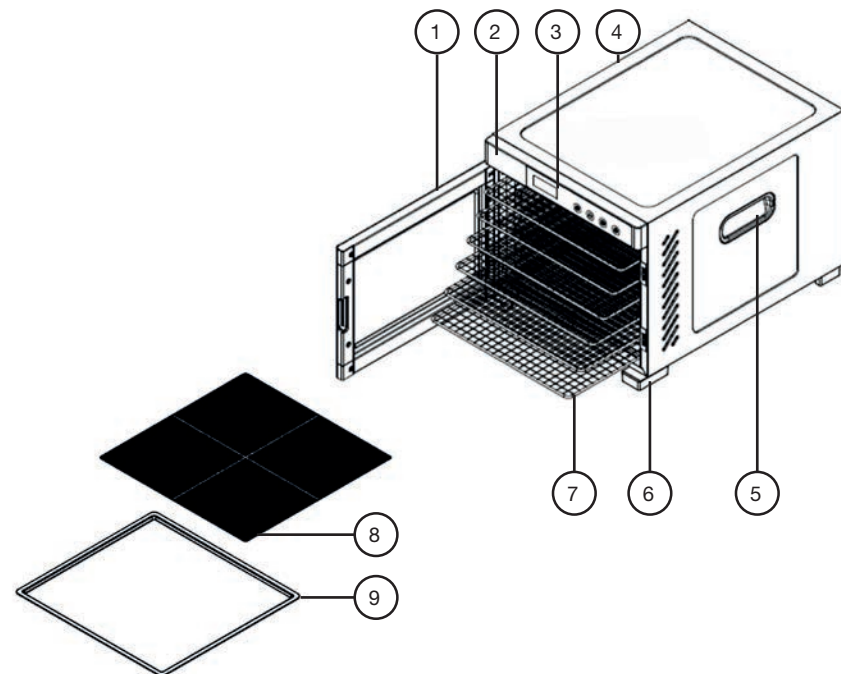
- ½ Tasse Sojasauce
- 2 EL. brauner Zucker
- ½ Tasse Worcestersauce
- ½ TL Zwiebelpulver
- Knoblauchzehe, püriert
- 2 EL. Ketchup
- 1-1 ¼ TL Salz
- ½ TL Pfeffer

CZ

Děkujeme za nákup našeho výrobku.

Před použitím přístroje si prosím přečtete tento návod, vyhněte se tak neodborné manipulaci a zacházení s přístrojem.

Popis



- | | | |
|--------------------|-------------------|--|
| 1. Dvřka | 4. Kryt přístroje | 7. Nerezové plato |
| 2. Panel | 5. Úchyt | 8. Jemné síto |
| 3. Kontrolní panel | 6. Nožičky | 9. Sušící ták (dokoupitelné příslušenství) |

Volitelné příslušenství:

Jemné síto

Jemné síto vložte na nerezové plato.

Vhodné pro sušení menších ingrediencí jako jsou bylinky, bobule a lepkavé suroviny jako jsou banány a rajčata.

Sušící ták (dokoupitelné příslušenství)

Sušící ták vložte na nerezové plato, vyrobte si vynikající ovocné rolky.

Pokud sušící ták nepoužijete pro sušení tekutých surovin, vložte jej do spodku sušičky jako ták na drobky.

Bezpečnostní instrukce

Vždy dodržujte tyto základní opatření při používání tohoto elektrického přístroje.

Před použitím si prosím přečtete tento návod a uschovejte jej pro příští použití.

1. Tento spotřebič není určen pro používání osobami (včetně dětí) se sníženými fyzickými, smyslovými nebo duševními schopnostmi, nebo nedostatkem zkušeností a znalostí, pokud jim nebyl poskytnut dohled nebo instrukce týkající se použití spotřebiče osobou zodpovědnou za jejich bezpečnost.
2. Sušičku potravin nepoužívejte ve venkovních prostorách.
3. Při používání sušičky potravin se ujistěte, že je na rovném, plochem a pevném povrchu, aby nedošlo k pádu na zem. Také berte v úvahu váhu přístroje.
4. Nedodržování těchto instrukcí může vést k zásahu elektrickým proudem, vznikutí požáru nebo vážnému zranění osob. Varování, upozornění a instrukce v tomto manuálu nemohou pokrýt všechny možné okolnosti a situace, které se mohou objevit při používání přístroje.
5. Během používání nenechávejte přístroj bez dozoru.
6. Přístroj vždy držte z dosahu dětí, jelikož nejsou schopné rozpoznat riziko spojené s nesprávným zacházením s tímto elektrickým zařízením.
7. Před zapojení přístroje do elektrické zásuvky zkontrolujte, zda napětí na štítku přístroje odpovídá elektrickému napětí.
8. Ujistěte se, že sušička potravin je vypnutá a není zapojena do elektrické zásuvky, když se ji chystáte čistit nebo opravovat.
9. Ujistěte se, že sušička potravin a její kabel nevisí přes okraj pracovní plochy a držte jej z dosahu horkých objektů a otevřeného ohně, jinak může dojít k roztavení plastu na sušičce a může vzniknout požár.
10. Za žádných okolností neponořujte přístroj ani jeho zástrčku do vody, ani do žádných jiných kapalin. Přístroj nepoužívejte, když máte mokré ruce.
11. Přístroj a jeho kabel se zástrčkou pravidelně kontrolujte, jestli nebyl poškozen.
12. Přístroj nepoužívejte, pokud byl kabel se zástrčkou poškozen, pokud měl přístroj poruchu, spadl na zem, nebo byl poškozen jakýmkoliv jiným způsobem.
13. Pokud byl poškozen kabel přístroje, musí být nahrazen výrobcem, jeho servisním oddělením nebo obdobně kvalifikovanými osobami.
14. Opravy sušičky potravin by měly být prováděny pouze kvalifikovaným elektrikářem. Neodborné opravy mohou ohrozit uživatele.
15. Žádné z částí přístroje nejsou vhodné do myčky na nádobí, pokud není výslovně uvedeno jinak.
16. Přístroj vždy vypněte před zapojováním nebo vypojoováním ze zásuvky. Kabel vypojujte uchopením za zástrčku, za kabel netahejte.
17. Toto zařízení nepoužívejte s prodlužovacím kabelem, pokud nebyl kabel zkontrolován a vyzkoušen kvalifikovaným nebo servisním technikem.
18. Nikdy nepoužívejte neoriginální příslušenství.
19. Vyhněte se kontaktu s pohyblivými částmi přístroje. Během provozu přístroje držte vaše ruce, vlasy, oblečení, špachtli a jiné kuchyňské potřeby mimo dosah přístroje. Snížíte tím riziko poranění a/nebo poškození přístroje.
20. Průduchy kudy proudí horký vzduch z motoru ven ze sušičky neotáčejte ke zdi ani k hořlavým předmětům, ale do otevřeného prostoru.
21. Sušičku potravin neumísťujte k žádnému přímému zdroji tepla. Zajistěte, aby zástrčka nebyla nikde stisknuta, jinak může dojít k požáru, nebo zásahu elektrickým proudem.
22. Pokud budete sušičku potravin předávat někomu jinému, musí mu být předán i tento návod k použití.
23. Toto zařízení není určeno pro používání s externím časovačem nebo s jiným ovládacím systémem.

Varování:

- Aby se snížilo riziko zásahu elektrickým proudem, produkt a kabel se zástrčkou nikdy nenamáčejte do vody, ani je nevystavujte dešti, vlhkosti nebo jiným tekutinám.
- Přístroj nepoužívejte v blízkosti vany, umyvadel a v jakýchkoliv jiných nádobách obsahující vodu nebo jiné kapaliny, nebo na vlhkém či mokřém povrchu. Přístroj neskladujte v mokřém prostředí.
- Sušičku nevystavujte vysokým teplotám, slunečním paprskům a vlhkosti.
- Nepoužívejte přístroj, když máte mokré ruce.
- Vypněte napájení přístroje ve vlhkém prostředí.
- V případě, že přístroj spadne do vody, vypněte napájení přístroje a okamžitě vyjměte zástrčku. **PŘÍSTROJ NEVYNDAVEJTE Z VODY, DOKUD NENÍ VYPNUTÉ NAPÁJENÍ PŘÍSTROJE.**
- Je důležité vědět, že přístroj musí být nejdříve zkontrolován kvalifikovaným technikem, než jej budete znovu používat.
- **POZOR!** Přístroj nepoužívejte více než 48h během jednoho používání. Po 48h kdy je sušička v provozu ji vypojte ze zásuvky a nechte ji nejméně 2h vychladnout než ji budete znovu používat.
- Nepoužívejte přístroj v blízkosti plynových sprejů.
- Nesprávný provoz a nevhodné zacházení s přístrojem může způsobit poruchu přístroje a poranění uživatele.
- Napájecí kabel nesmí být sevřen pod těžkými nebo ostrými předměty, jinak může dojít k požáru, nebo zásahu elektrickým proudem.
- Teplota příslušného povrchu pod sušičkou může být během provozu vysoká.

Vlastnosti sušičky

Zařízení je vybaveno automatickým systémem regulace pro cirkulaci teplého vzduchu. Proto je sušení potravin v této sušičce rovnoměrné.

Sušené potraviny si uchovají téměř všechny nutriční hodnoty a nemění se ani jejich chuť. Jsou tedy skvělou volbou jako zdravá svačinka.

Je to skvělý způsob jak uchovat ovoce, malé potraviny, zeleninu, bylinky a jiné.

Sušička je vybavena 6 nerezovými sušícími platy, kapacita každého plata je 0,6kg surovin.

Je možné vyjmout jedno nebo více plat a získáte tím větší prostor pro sušení silnějších surovin.

Sušící plata jdou snadno vyčistit.

Pro snadnější čištění použijte táč dospod sušičky, který zachytí zbytky a drobky.

Při sušení zavřete dvířka.

Před prvním použitím

1. Sundejte všechny obaly ze sušičky a jejího příslušenství. Zkontrolujte obsah balení.
2. Sušící plata očistěte vlhkým hadříkem.
3. Sušičku umístěte na pevný, rovný povrch. Zapojte ji. Vložte sušící plata do sušičky.
4. Zapněte sušičku na 30 min na maximální teplotu, bez potravin. Ujistěte se, že pokoj je dostatečně ventilovaný. Je normálním jevem, že sušička může produkovat kouř nebo zápach.
5. Opláchněte sušící tácy ve vodě a osušte je.

Poznámka: Toto je potřeba provádět pouze před prvním použitím přístroje.

Tipy na sušení

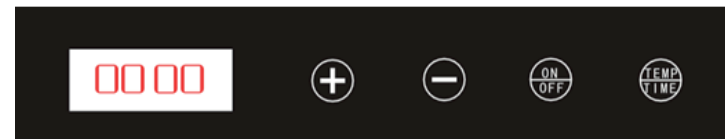
Čas sušení potravin se může lišit podle následujících faktorů:

1. Tloušťka kusů nebo plátků
2. Počet plat s potravinami, které se mají usušit
3. Objem sušeným potravin
4. Vlhkost vzduchu ve vašem prostředí
5. Vaše osobní preference pro každý druh ovoce

Při sušení doporučujeme

- Každou hodinu kontrolujte sušené potraviny.
- Poznamenejte si váhu sušených potravin a dobu, jak dlouho jste potraviny sušili.
- Správné uskladnění potravin po usušení udrží potraviny v dobré kvalitě a zachovají si tak živiny.

Používání přístroje



1. Na sušící tácy vložte očištěné potraviny. Sušící tác nepřeplyňte a potraviny se nesmí navzájem překrývat.
Zavřete dvířka sušičky.
2. Přístroj zapojte do zásuvky. Sušička 1x zapípá, rozsvítí se tlačítko ON/OFF a na displeji se zobrazí „8888“.
3. Stiskněte tlačítko ON/OFF, na LED displeji se zobrazí výchozí nastavení “10:00“ a teplota „70°C“. Nejdříve se spustí motor a větrák a poté se po 5 sekundách spustí topné zařízení. Poté začne odpočítávání nastavené doby sušení a na LED displeji začne blikat symbol „:“.
4. Stiskněte TEMP/TIME tlačítko. Teplota bude blikat na displeji.

Použijte tlačítko + nebo – pro nastavení teploty (rozsah nastavení teploty je 35°C-75°C).

POZNÁMKA: Teplota se nastavuje po 5°C. Stiskněte a podržte tlačítko + nebo – a nastavte teplotu rychleji.

5. Až nastavíte teplotu, stiskněte TEMP/TIME tlačítko znovu a nastavte čas sušení.

Čas bude blikat na displeji, použijte tlačítko + nebo – a nastavte čas (rozsah nastavení času je 0:30-48:00).

POZNÁMKA: Čas je možno nastavit po 30min intervalu. Stiskněte a podržte tlačítko + nebo – a nastavte čas rychleji.

6. Po nastavení požadované teploty a času začne přístroj pracovat.

POZNÁMKA: Pokud během sušení stisknete tlačítko ON/OFF, všechny funkce se zastaví. Na displeji se zobrazí „0000“.

POZNÁMKA: Stisknutím tlačítka TEMP/TIME můžete kdykoliv libovolně změnit nastavení času nebo teploty. Nejdříve stiskněte tlačítko „TEMP/TIME“, poté stiskněte tlačítko „+“ nebo „-“.

7. Po skončení doby sušení se nejdříve vypne topné zařízení. Větrák bude ještě foukat po dobu 10 sekund a bzučák 20x zapípá (1 x za sekundu).
8. Po skončení sušení vypojte sušičku ze zásuvky.

Ovoce a zelenina sušené ve vaší sušičce se bude vzhledově lišit od sušeného ovoce a zeleniny kupovaného v obchodech a supermarketech. To je proto, že vaše sušené ovoce a zelenina bude sušena bez konzervačních látek, umělých barviv a jiných přísad.

Zaznamenávání vlhkosti vzduchu a váhy sušených potravin před a po sušení vám v budoucnosti pomůže zlepšit techniku sušení.

Skladování

- Usušené potraviny uskladněte až po tom co vychladnou.
- Potraviny vydrží déle, když budou uskladněny na chladném, suchém a tmavém místě.
- Snažte se odstranit co nejvíce vzduchu bude možné ze sáčku nebo nádoby, kde budete skladovat sušené potraviny a pevně je uzavřete.
- Optimální teplota pro skladování je 15°C a méně.
- Sušené potraviny nikdy neuskładňujte v kovové nádobě.
- Vyhněte skladování v nádobkách s otvorem nebo nádobkám, které mají špatné těsnění.
- Po usušení a uskladnění potravin je občas kontrolujte, jestli nejsou vlhké. Pokud jsou potraviny vlhké, měli byste je sušit déle, aby se nezkazili.
- Sušené ovoce, zelenina, bylinky, oříšky atd. by se neměly skladovat více než 1 rok, když jsou uskladněny v chladničce nebo mrazáku.
- Sušené maso, drůbež a ryby by neměli být skladovány déle než 3 měsíce, pokud jsou skladovány v chladničce, a déle než 1 rok v mrazáku.

Údržba/metody čištění

Po použití sušičky ji vypojte ze zásuvky a nechejte ji vychladnout předtím, než ji budete čistit.

Použijte měkký kartáček a odstraňte zbytky zaschnutých potravin na sušících plátech.

Než budete sušičku uskladňovat, osušte všechny její části.

Povrch sušičky omyjte hadříkem.

Použijte papírové utěrky a odstraňte přebytečnou marinádu.

Aby nedošlo k poškození povrchu sušičky, nečistěte ji agresivními chemikáliemi nebo abrazivními látkami.

Technické parametry:

Napětí: 220-240 V~, 50/60 Hz

Výkon: 550-650 W

Časovač: 00:30-48:00

Teplota: 35 °C - 75 °C

Tabulka přípravy zeleniny

Produkt	Příprava	Stav po vysušení	Doba sušení (hod.)	Doporučená teplota (°C)
Artyčoky	Nakrájejte a 10 minut povařte.	Křehké	6 - 14	57
Chřest	Nakrájejte na kousky. Konce chřestu bývají chutnější.	Křehké	6 - 14	52
Fazole	Nakrájejte a krátce povařte.	Křehké	8 - 26	57
Řepa	Oloupejte a odstraňte kořeny.	Křehké	8 - 26	57
Růžičková kapusta	Odkrojte stonek, nakrájejte na půlky.	Křupavé	8 - 30	52
Brokolice	Nakrájejte a na 3 - 5 min povařte.	Křehké	6 - 14	52
Hlávkové zelí	Nakrájejte na proužky.	Tuhé	6 - 14	52
Mrkev	Povařte do měkka. Nakrájejte na plátky.	Tuhé	6 - 12	52
Květák	Povařte a nakrájejte.	Tuhé	6 - 16	52
Celer	Nakrájejte na plátky.	Křehké	6 - 14	52
Pažitka	Nasekejte.	Křehké	6 - 10	52
Okurka	Oloupejte a nakrájejte na plátky.	Tuhé	6 - 18	52
Lilek/dýně	Oloupejte a nakrájejte na plátky.	Křehké	6 - 18	52
Česnek	Odstraňte slupku a nakrájejte.	Křehké	6 - 16	52
Čili papričky	Sušte celé.	Tuhé	6 - 14	52
Houby	Nakrájejte na plátky, nasekejte nebo sušte celé.	Tuhé	6 - 14	52
Cibule	Nakrájejte na plátky nebo nasekejte.	Křehké	8 - 14	63
Hrášek	Povařte 3 - 5 min.	Křehké	8 - 14	52
Papriky	Nakrájejte na plátky, odstraňte semena.	Křehké	4 - 14	52
Brambory / Batáty	Nakrájejte na plátky nebo na kostky a 8 - 10 minut povařte.	Křehké	6 - 18	52
Rebarbora	Odstraňte slupku a nakrájejte.	Žádná vlhkost	6 - 38	57
Špenát	Napařte, dokud nezměkne.	Křehké	6 - 16	52
Rajčata	Odstraňte slupku, nakrájejte na plátky nebo na půlky.	Křehké	6 - 24	52
Cuketa	Nakrájejte na plátky.	Křehké	6 - 18	52

Česká verze návodu je přesným překladem originálního návodu výrobce.

Fotografie použité v manuálu jsou pouze ilustrační a nemusí se přesně shodovat s výrobkem.

Tabulka prípravy ovocia

Produkt	Príprava	Stav po vysušení	Doba sušenia (hod.)	Doporučená teplota (°C)
Jablka	Okrájajte, odstráňte jadrinec a nakrájajte na plátky alebo kolečka.	Mäkké	5 - 6	57
Meruňky	Očistíte, nakrájajte na plátky alebo polky.	Mäkké	12 - 38	57
Banány	Oloupejte a nakrájajte na plátky.	Křupavé	8 - 38	57
Bobulovité plody	Jahody nakrájajte na plátky, jiné bobule nechejte celé.	Žádná vlhkost	8 - 26	57
Třešně	Vypeckujte.	Tuhé	8 - 34	57
Brusinky	Nasekejte nebo sušte celé.	Mäkké	6 - 26	57
Datle	Vypeckujte a nakrájajte na plátky.	Tuhé	6 - 26	57
Fíky	Nakrájajte na plátky.	Tuhé	6 - 26	57
Hroznové víno	Sušte celé.	Mäkké	8 - 38	57
Nektarinky	Nakrájajte na polky, sušte kúrou dolu.	Mäkké	8 - 26	57
Broskve	Rozpulte nebo nakrájajte na čtvrtky. Sušte nakrojenou stranou nahoru.	Mäkké	10 - 34	57
Hrušky	Oloupejte a nakrájajte.	Mäkké	8 - 30	57
Bylinky / šípky	Nakrájajte na plátky, nasekejte nebo sušte celé.	Žádná vlhkost	6 - 10	40

Výroba sušeného hovädzieho mäsa

Nejdůležitější je správný výběr masa. Vyberte kvalitní maso a odstráňte všechny přebývající tuk a tkáň. Tuk snižuje schopnost masa k vysušení.

Aby se Vám maso snadněji krájelo, vložte jej na 30 minut do mrazáku, poté jej otočte a ponechte jej v mrazáku na dalších 15 minut. Maso krájejte po vlákně na slabé plátky.

Maso si před sušením naložte alespoň na 3 hodiny, nejlépe jej nechejte naložené přes noc.

Maso můžete osolit, opepřit, okořenit nebo posypat sušeným česnekem nebo cibulí.

Marinované plátky usušte papírovou utěrkou a umístěte je na platu (je nutné maso pořádně osušit a chránit tím přístroj). Maso sušte, dokud jeho struktura není lehce ohebná. Sušení masa zabere 6 až 16 hodin. Sušené hovädzie mäso by mělo byť lehce žvýkavé, ne křehké.

Marináda na hovädzie mäso

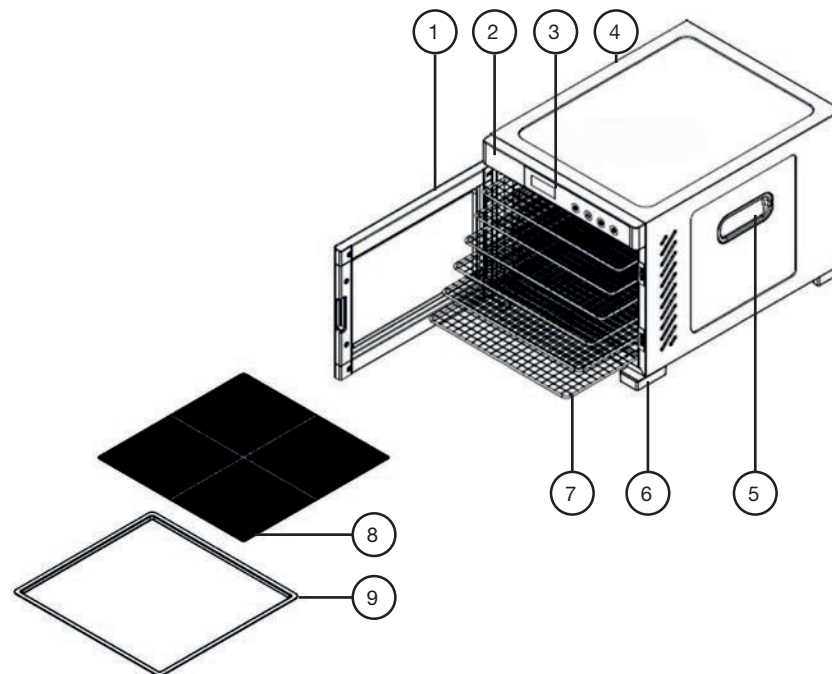
- ½ hrnečku sojovej omáčky
- 2 polievkové lžice hnedého cukru
- ½ hrnečku worchesterovej omáčky
- ½ čajovej lyžičky cibulového prášku
- rozmačkaný stroužek cesneku
- 2 polievkové lžice kečupu
- 1¼ čajovej lyžičky soli
- ½ čajovej lyžičky pepře

SK

Ďakujeme za nákup nášho výrobku.

Pred použitím prístroja si prosím prečítajte tento návod, vyhnete sa tak neodbornej manipulácii a zaobchádzaniu s prístrojom.

Popis



- | | | |
|--------------------|-------------------|--|
| 1. Dvierka | 4. Kryt prístroja | 7. Nerezový plát |
| 2. Panel | 5. Úchyt | 8. Jemné sito |
| 3. Kontrolný panel | 6. Nožičky | 9. Sušiaci tácka (dokúpiteľné príslušenstvo) |

Voliteľné príslušenstvo:

Jemné sito

Jemné sito vložte na nerezový plát.

Vhodné pre sušenie menších ingrediencií ako sú bylinky, bobule a lepkavé suroviny ako sú banány a paradajky.

Sušiaci tácka (dokúpiteľné príslušenstvo)

Sušiacu tácku vložte na nerezový plát, vyrobte si vynikajúce ovocné rolky.

Ak sušiacu tácku nepoužijete pre sušenie tekutých surovín, vložte ju do spodku sušičky ako tácku na omrvinky.

Bezpečnostné inštrukcie

Vždy dodržiavajte tieto základné opatrenia pri používaní tohto elektrického prístroja.

Pred použitím si prosím prečítajte tento návod a uschovajte ho pre budúce použitie.

1. Tento spotrebič nie je určený pre používanie osobami (vrátane detí) so zníženými fyzickými, zmyslovými alebo duševnými schopnosťami, alebo nedostatkom skúseností a znalostí, pokiaľ im nebol poskytnutý dohľad alebo inštrukcie týkajúce sa použitia spotrebiča osobou zodpovednou za ich bezpečnosť.
2. Sušičku potravín nepoužívajte vo vonkajších priestoroch.
3. Pri používaní sušičky potravín sa uistite, že je na rovnom, plochom a pevnom povrchu, aby nedošlo k pádu na zem. Tiež berte do úvahy hmotnosť prístroja.
4. Nedodržovanie týchto inštrukcií môže viesť k zásahu elektrickým prúdom, vzniku požiaru alebo vážnemu zraneniu osôb. Varovania, upozornenia a inštrukcie v tomto manuáli nemôžu pokryť všetky možné okolnosti a situácie, ktoré sa môžu objaviť pri používaní prístroja.
5. Počas používania nenechávajte prístroj bez dozoru.
6. Prístroj vždy držte z dosahu detí, keďže nie sú schopné rozpoznať riziko spojené s nesprávnym zaobchádzaním s týmto elektrickým zariadením.
7. Pred zapojením prístroja do elektrickej zásuvky skontrolujte, či napätie na štítiku prístroja odpovedá elektrickému napätiu.
8. Uistite sa, že sušička potravín je vypnutá a nie je zapojená do elektrickej zásuvky, keď sa ju chystáte čistiť alebo opravovať.
9. Uistite sa, že sušička potravín a jej kábel nevisia cez okraj pracovnej plochy a držte ho z dosahu horúcich objektov a otvoreného ohňa, inak môže dôjsť k roztaveniu plastu na sušičke a môže vzniknúť požiar.
10. Za žiadnych okolností neponárajte prístroj ani jeho zástrčku do vody, ani do žiadnych iných kvapalín. Prístroj nepoužívajte, keď máte mokré ruky.
11. Prístroj a jeho kábel so zástrčkou pravidelne kontrolujte, či nebol poškodený.
12. Prístroj nepoužívajte, ak bol kábel so zástrčkou poškodený, pokiaľ mal prístroj poruchu, spadol na zem, alebo bol poškodený akýmkoľvek iným spôsobom.
13. Ak bol poškodený kábel prístroja, musí byť nahradený výrobcom, jeho servisným oddelením alebo obdobne kvalifikovanými osobami.
14. Opravy sušičky potravín by mali byť vykonávané iba kvalifikovaným elektrikárom. Neodborné opravy môžu ohroziť užívateľa.
15. Žiadne z častí prístroja nie sú vhodné do umývačky riadu, pokiaľ nie je výslovne uvedené inak.
16. Prístroj vždy vypnite pred zapájaním alebo vypájaním zo zásuvky. Kábel vyťahujte uchopením za zástrčku, za kábel neťahajte.
17. Toto zariadenie nepoužívajte s predlžovacím káblom, pokiaľ nebol kábel skontrolovaný a vyskúšaný kvalifikovaným alebo servisným technikom.
18. Nikdy nepoužívajte neoriginálne príslušenstvo.
19. Vyhnite sa kontaktu s pohyblivými časťami prístroja. Počas prevádzky prístroja držte vaše ruky, vlasy, oblečenie, špachtľu a iné kuchynské potreby mimo dosahu prístroja. Znížite tým riziko poranenia a / alebo poškodenia prístroja.
20. Prieduchy, ktorými prúdi horúci vzduch z motora von zo sušičky, neotáčajte k stene ani k horľavým predmetom, ale do otvoreného priestoru.
21. Sušičku potravín neumiestňujte k žiadnemu priamemu zdroju tepla. Zaistite, aby zástrčka nebola nikde stlačená, inak môže dôjsť k požiaru, alebo zásahu elektrickým prúdom.
22. Ak budete sušičku potravín odovzdávať niekomu inému, musí mu byť odovzdaný aj tento návod na použitie.
23. Toto zariadenie nie je určené pre používanie s externým časovačom alebo s iným ovládacím systémom.

Varovanie:

- Aby sa znížilo riziko zásahu elektrickým prúdom, produkt a kábel so zástrčkou nikdy nenamáčajte do vody, ani ich nevystavujte dažďu, vlhkosti alebo iným tekutinám.
- Prístroj nepoužívajte v blízkosti vane, umývadiel a v akýchkoľvek iných nádobách obsahujúce vodu alebo iné kvapaliny, alebo na vlhkom či mokrom povrchu. Prístroj neskladujte v mokrom prostredí.
- Sušičku nevystavujte vysokým teplotám, slnečným lúčom a vlhkosti.
- Nepoužívajte prístroj, keď máte mokré ruky.
- Vypnite napájanie prístroja vo vlhkom prostredí.
- V prípade, že prístroj spadne do vody, vypnite napájanie prístroja a okamžite vyberte zástrčku.

PRÍSTROJ NEVYBERAJTE Z VODY, KÝM NIE JE VYPNUTÉ NAPÁJANIE PRÍSTROJA.

- Je dôležité vedieť, že prístroj musí byť najskôr skontrolovaný kvalifikovaným technikom, než ho budete znova používať.
- **POZOR!** Prístroj nepoužívajte viac ako 48 h počas jedného používania. Po 48 h kedy je sušička v prevádzke ju odpojte zo zásuvky a nechajte ju najmenej 2 h vychladnúť než ju budete znova používať.
- Nepoužívajte prístroj v blízkosti plynových sprejov.
- Nesprávna prevádzka a nevhodné zaobchádzanie s prístrojom môže spôsobiť poruchu prístroja a poranenie užívateľa.
- Napájací kábel nesmie byť zovretý pod ťažkými alebo ostrými predmetmi, inak môže dôjsť k požiaru, alebo zásahu elektrickým prúdom.
- Teplota príslušného povrchu pod sušičkou môže byť počas prevádzky vysoká.

Vlastnosti sušičky

Zariadenie je vybavené automatickým systémom regulácie pre cirkuláciu teplého vzduchu. Preto je sušenie potravín v tejto sušičke rovnomerné.

Sušené potraviny si uchovávajú takmer všetky nutričné hodnoty a nemení sa ani ich chuť. Sú teda skvelou voľbou ako zdravá desiata.

Je to skvelý spôsob ako uchovať ovocie, malé potraviny, zeleninu, bylinky a iné.

Sušička je vybavená 6 nerezovými sušiacimi plátnami (sitami), kapacita každého plátu je 0,6kg surovín.

Je možné vybrať jedno alebo viac plát a získate tým väčší priestor pre sušenie silnejších surovín.

Sušiace pláty sú ľahko čistiteľné.

Pre ľahšie čistenie použite tácku v spodnej časti sušičky, ktorá zachytí zvyšky a omrvinky.

Pri sušení zatvorte dvierka.

Pred prvým použitím

1. Zložte všetky obaly zo sušičky a jej príslušenstva. Skontrolujte obsah balenia.
2. Sušiacie pláty očistite vlhkou handričkou.
3. Sušičku umiestnite na pevný, rovný povrch. Zapojte ju. Vložte sušiacie pláty do sušičky.
4. Zapnite sušičku na 30 min na maximálnu teplotu, bez potravín. Uistite sa, že izba je dostatočne ventilovaná. Je normálnym javom, že sušička môže produkovať dym alebo zápach.
5. Opláchnite sušiacie pláty vo vode a osušte ich.

Poznámka: Toto je potrebné vykonávať iba pred prvým použitím prístroja.

Tipy na sušenie

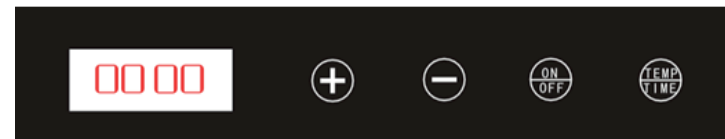
Čas sušenia potravín sa môže líšiť podľa nasledujúcich faktorov:

1. Hrúbka kusov alebo plátkov
2. Počet plát s potravinami, ktoré sa majú usušiť
3. Objem sušených potravín
4. Vlhkosť vzduchu vo vašom prostredí
5. Vaše osobné preferencie pre každý druh ovocia

Pri sušení odporúčame

- Každú hodinu kontrolujte sušené potraviny.
- Poznačte si váhu sušených potravín a dobu, ako dlho ste potraviny sušili.
- Správne uskladnenie potravín po usušení udrží potraviny v dobrej kvalite a zachovajú si tak živiny.

Používanie prístroja



1. Na sušiacie tácky vložte očistené potraviny. Sušiacu tácku neprepínajte a potraviny sa nesmú navzájom prekryvať.
Zatvorte dverka sušičky.
2. Prístroj zapojte do zásuvky. Sušička raz zapípa, rozsvieti sa tlačidlo ON / OFF a na displeji sa zobrazí „8888“.
3. Stlačte tlačidlo ON / OFF, na LED displeji sa zobrazí východiskové nastavenie „10:00“ a teplota „70°C“. Najskôr sa spustí motor a vetrák a potom sa po 5 sekundách spustí vykurovacie zariadenie. Potom sa začne odpočítavanie nastavenej doby sušenia a na LED displeji začne blikať symbol „:“.
4. Stlačte TEMP/TIME tlačidlo. Teplota bude blikať na displeji.
Použite tlačidlo + alebo - pre nastavenie teploty (rozsah nastavenia teploty je 35°C-75°C).
POZNÁMKA: Teplota sa nastavuje po 5 ° C. Stlačte a podržte tlačidlo + alebo - a nastavte teplotu rýchlejšie.
5. Až nastavíte teplotu, stlačte TEMP / TIME tlačidlo znovu a nastavte čas sušenia 0:30-48:00).
POZNÁMKA: Čas je možné nastaviť po 30 min intervaloch. Stlačte a podržte tlačidlo + alebo - a nastavte čas rýchlejšie.
6. Po nastavení požadovanej teploty a času začne prístroj pracovať.
POZNÁMKA: Pokiaľ počas sušenia stlačíte tlačidlo ON / OFF, všetky funkcie sa zastavia. Na displeji sa zobrazí „0000“.
POZNÁMKA: Stlačením tlačidla TEMP / TIME môžete kedykoľvek ľubovoľne zmeniť nastavenie času alebo teploty. Najskôr stlačte tlačidlo „TEMP / TIME“, potom stlačte tlačidlo „+“ alebo „-“.
7. Po skončení doby sušenia sa najskôr vypne vykurovacie zariadenie. Vetrák bude ešte fúkať po dobu 10 sekúnd a bzučiak 20x zapípa (1x za sekundu).
8. Po skončení sušenia vypojte sušičku zo zásuvky.

Ovocie a zelenina sušené vo vašej sušičke sa bude vzhľadovo líšiť od sušeného ovocia a zeleniny kupovaného v obchodoch a supermarketoch. To je preto, že vaše sušené ovocie a zelenina bude sušená bez konzervačných látok, umelých farbív a iných prísad.

Zaznamenávanie vlhkosti vzduchu a váhy sušených potravín pred a po sušení vám v budúcnosti pomôže zlepšiť techniku sušenia.

Skladovanie

- Usušené potraviny uskladnite až po tom čo vychladnú.
- Potraviny vydržia dlhšie, keď budú uskladnené na chladnom, suchom a tmavom mieste.
- Snažte sa odstrániť čo najviac vzduchu bude možné z vrečka alebo nádoby, kde budete skladovať sušené potraviny a pevne ich uzatvorte.
- Optimálna teplota pre skladovanie je 15 ° C a menej.
- Sušené potraviny nikdy neuskładňujte v kovovej nádobe.
- Vyhnite sa skladovaniu v nádobkách s otvorom alebo nádobkám, ktoré majú zlé tesnenie.
- Po usušení a uskladnení potravín ich občas kontrolujte, či nie sú vlhké. Ak sú potraviny vlhké, mali by ste ich sušiť dlhšie, aby sa nepokazili.
- Sušené ovocie, zelenina, bylinky, orešky atď. By sa nemali skladovať viac ako 1 rok, keď sú uskladnené v chladničke alebo mrazničke.
- Sušené mäso, hydina a ryby by nemali byť skladované dlhšie ako 3 mesiace, ak sú skladované v chladničke, a dlhšie ako 1 rok v mrazničke.

Údržba/metódy čistenia

Po použití sušičky ju odpojte zo zásuvky a nechajte ju vychladnúť predtým, ako ju budete čistiť.

Použite mäkkú kefkú a odstráňte zvyšky zaschnutých potravín na sušiacich plátkoch.

Kým budete sušičku uskladňovať, osušte všetky jej časti.

Povrch sušičky umyte handričkou.

Použite papierové utierky a odstráňte prebytočnú marinádu.

Aby nedošlo k poškodeniu povrchu sušičky, nečistite ju agresívnymi chemikáliami alebo abrazívnymi látkami.

Technické špecifikácie:

Napätie: 220-240 V, 50/60 Hz

Výkon: 550-650 W

Časovač: 00:30-48:00

Teplota: 35 °C - 75 °C

Tabuľka prípravy zeleniny

Produkt	Príprava	Stav po vysušení	Doba sušenia (hod.)	Odporúčaná teplota (°C)
Artičoky	Nakrájajte a varte 10 minút varte.	Krehké	6 - 14	57
Špargľa	Nakrájajte na kúsky. Konce špargle bývajú chutnejšie.	Krehké	6 - 14	52
Fazuľa	Nakrájajte a krátko povarte.	Krehké	8 - 26	57
Repa	Olúpte a odstráňte korene.	Krehké	8 - 26	57
Ružičkový kel	Odkrojíte stonku, nakrájajte na polovičky.	Chrumkavé	8 - 30	52
Brokolica	Nakrájajte a varte 3 - 5 min.	Krehké	6 - 14	52
Hlávková kapusta	Nakrájajte na prúžky.	Tuhé	6 - 14	52
Mrkva	Povarte do mäkka. Nakrájajte na plátky.	Tuhé	6 - 12	52
Karfiol	Povarte a nakrájajte.	Tuhé	6 - 16	52
Zeler	Nakrájajte na plátky.	Krehké	6 - 14	52
Pažitka	Nasekajte.	Krehké	6 - 10	52
Uhorka	Olúpte a nakrájajte na plátky.	Tuhé	6 - 18	52
Baklažány / Tekvica	Olúpte a nakrájajte na plátky.	Krehké	6 - 18	52
Cesnak	Odstráňte šupku a nakrájajte.	Krehké	6 - 16	52
Chilli papričky	Sušte celé.	Tuhé	6 - 14	52
Huby	Nakrájajte na plátky, nasekajte alebo sušte celé.	Tuhé	6 - 14	52
Cibuľa	Nakrájajte na plátky alebo nasekajte.	Krehké	8 - 14	63
Hrášok	Povarte 3-5 min.	Krehké	8 - 14	52
Papriky	Nakrájajte na plátky, odstráňte semená.	Krehké	4 - 14	52
Zemiaky	Nakrájajte na plátky alebo na kocky a 8 - 10 minút povarte.	Krehké	6 - 18	52
Rebarbora	Odstráňte šupku a nakrájajte.	Žiadna vlhkosť	6 - 38	57
Špenát	Špenát paríme, kým nezmäkne.	Krehké	6 - 16	52
Paradajky	Odstráňte šupku, nakrájajte na plátky alebo na polovičky.	Krehké	6 - 24	52
Cuketa	Nakrájajte na plátky.	Krehké	6 - 18	52

Slovenská verzia návodu je presným prekladom originálneho návodu výrobcu.

Fotografie použité v návode sú len ilustračné a nemusia sa presne zhodovať s výrobkom.

Tabuľka prípravy ovocia

Produkt	Príprava	Stav po vysušení	Doba sušenia (hod.)	Odporúčaná teplota (°C)
Jablká	Jablká okrájajte, odstráňte jadrovník a nakrájajte na plátky alebo na kolieska.	Mäkké	5 - 6	57
Marhule	Očistite, nakrájajte na plátky alebo polovičky.	Mäkké	12 - 38	57
Banány	Olúpte a nakrájajte na plátky.	Chrumkavé	8 - 38	57
Bobuľovité plody	Jahody nakrájajte na plátky, iné bobule nechajte celé.	Žiadna vlhkosť	8 - 26	57
Čerešne	Vykôstkujte.	Tuhé	8 - 34	57
Brusnice	Nasekajte alebo sušte celé.	Mäkké	6 - 26	57
Datle	Vykôstkujte a nakrájajte na plátky.	Tuhé	6 - 26	57
Figy	Nakrájajte na plátky.	Tuhé	6 - 26	57
Hrozno	Sušte celé.	Mäkké	8 - 38	57
Nektarinky	Nakrájajte na polovičky, sušte kôrou dole.	Mäkké	8 - 26	57
Broskyne	Rozpoľte alebo nakrájajte na štvrtky. Sušte nakrojení stranou nahor.	Mäkké	10 - 34	57
Hrušky	Olúpte a nakrájajte.	Mäkké	8 - 30	57
Bylinky, šípky	Nakrájajte na plátky, nasekajte alebo sušte celé.	Žiadna vlhkosť	6 - 10	40

Výroba sušeného hovädzieho mäsa

Najdôležitejšie je správny výber mäsa. Vyberte kvalitné mäso a odstráňte všetok prebytočný tuk a tkanivá. Tuk znižuje schopnosť mäsa k vysušeniu.

Aby sa Vám mäso ľahšie krájalo, vložte ho na 30 minút do mrazničky, potom ho otočte a ponechajte v mrazáku na ďalších 15 minút. Mäso krájajte po vláknach na slabé plátky.

Mäso si pred sušením naložte aspoň na 3 hodiny, najlepšie ho nechajte naložené cez noc.

Mäso môžete osoliť, okoreniť, okoreniť alebo posypať sušeným cesnakom alebo cibuľou.

Marinované plátky usušte papierovou utierkou a umiestnite ich na platu (je nutné mäso poriadne osušiť a chrániť tým prístroj). Mäso sušte, kým jeho štruktúra nie je ľahko ohybná. Sušenie mäsa zaberie 6 až 16 hodín. Sušené hovädzie mäso by malo byť ľahko žuvacie, nie krehké.

Marináda na hovädzie mäso

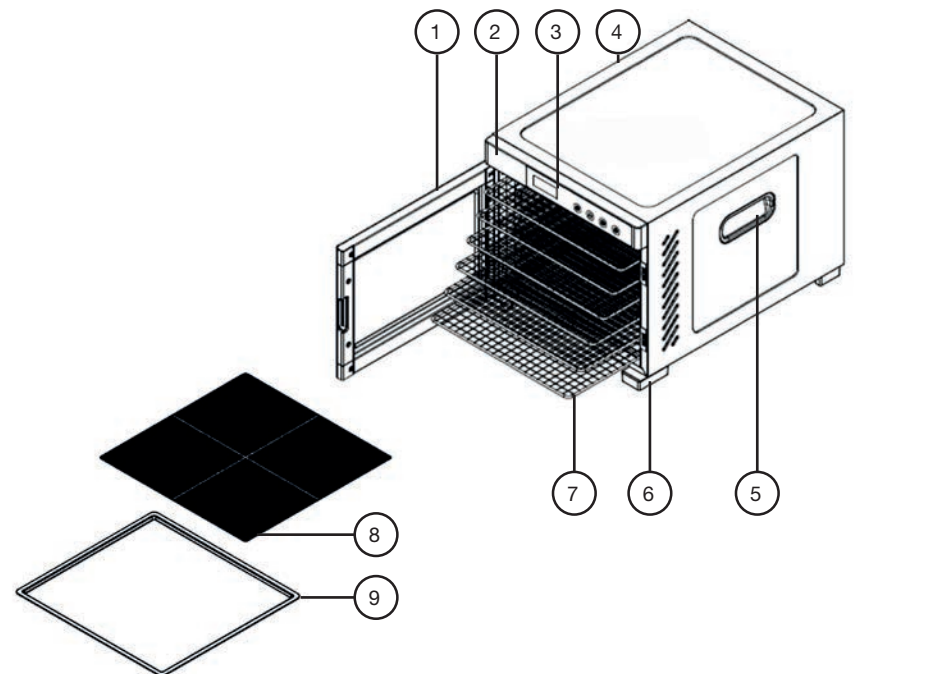
- ½ hrnčeka sójovej omáčky
- 2 polievkové lyžice hnedého cukru
- ½ hrnčeka worcesterskej omáčky
- ½ čajovej lyžičky cibuľového prášku
- Roztlačený strúčik cesnaku
- 2 polievkové lyžice kečupu
- 1¾ čajovej lyžičky soli
- ½ čajovej lyžičky čierneho korenia

HU

Köszönjük, hogy megvásárolta termékünket.

Használat előtt kérjük olvassa el a használati útmutatót, így megelőzheti az eszköz helytelen használatát.

Leírás



- | | | |
|----------------|-----------------------|--|
| 1. Ajtók | 4. Készülék burkolata | 7. Rozsdamentes acéllemez |
| 2. Panel | 5. Fogók | 8. Finom szita |
| 3. Kezelőpanel | 6. Lábak | 9. Szárító tálca (külön megvásárolható tartozék) |

Opcionális tartozékok:

Finom szita

Helyezze a finom szitát a rozsdamentes acéllemezre.

Kisebb összetevők, például gyógynövények, bogyók és ragadós összetevők, például banán és paradicsom szárítására alkalmas.

Szárító tálca (külön megvásárolható tartozék)

Helyezze a szárítótálcát rozsdamentes acéllemezre és készítsen kiváló gyümölcsclapokat.

Ha nem használja a szárítótálcát a folyékony nyersanyagok kiszárításához, tegye azt a szárító alsó részébe morzsátalcaként.

Biztonsági utasítások

Az elektromos készülék használatakor mindig kövesse ezeket az alapvető intézkedéseket.

Kérjük, olvassa el ezt a kézikönyvet használat előtt, és tárolja a későbbi használat esetében.

1. A készüléket nem használhatják olyan személyek (beleértve a gyermekeket is), akik csökkent fizikai, érzékszervi vagy mentális képességekkel rendelkeznek, vagy a tapasztalatlan és nem elegendő tudással rendelkező személyek, kivéve, ha felügyelve vannak vagy utasítást kaptak a készülék használatára a biztonságukért felelős személy által.
2. Ne használja az élelmiszer szárítót kültéri területeken.
3. Az élelmiszer-szárító használata esetén győződjön meg róla, hogy sík és szilárd felületre van helyezve, hogy elkerülje a földre esést. Vegye figyelembe az eszköz súlyát is.
4. Az utasítások be nem tartása áramütést, tüzet vagy súlyos sérülést okozhat. A használati utasításban található figyelmeztetések és utasítások nem fedhetik fel az eszköz használatakor esetlegesen felmerülő összes körülményt és helyzetet.
5. Ne hagyja a készüléket felügyelet nélkül használat közben.
6. Mindig tartsa távol a készüléket a gyerekektől, amelyek nem tudják felismerni az elektromos berendezés nem megfelelő kezelésével járó kockázatot.
7. Mielőtt csatlakoztatná a készüléket egy elektromos dugaszolóaljzatba, győződjön meg arról, hogy a készülék címkéjén lévő feszültség megegyezik az elektromos feszültséggel.
8. Győződjön meg róla, hogy az élelmiszer szárítót ki van kapcsolva, és nincs csatlakoztatva az elektromos dugaszolóaljzatban, amikor tisztítani vagy javítani szeretné.
9. Győződjön meg róla, hogy az élelmiszer szárítót és annak kábeli nem lógnak a munkaterület szélén, és távol vannak a forró tárgyaktól és a nyílt lángtól, különben a szárítón lévő műanyag réteg megolvadhat és tüzet okozhat.
10. A készüléket vagy annak dugóját semmilyen körülmények között nem szabad vízbe vagy más folyadékba meríteni. Ne használja a készüléket, ha vizes a keze.
11. Rendszeresen ellenőrizze a készüléket és a dugóját, hogy meggyőződjön nem e sérültek meg.
12. Ne használja a készüléket, ha a dugóval ellátott kábel megsérült, ha a készülék sérült, leesett vagy más módon sérült.
13. Ha az eszközkábel megsérült, azt a gyártónak, szervizközpontnak vagy hasonlóan képzett személyzetnek kell kicserélnie.
14. Az élelmiszer szárító javítását csak szakképzett villanyszerelő végezheti. A nem megfelelő javítások veszélyeztethetik a felhasználót.
15. A készülék egyik része sem alkalmas mosogatógépben való tisztításra, hacsak nincs megadva másképpen.
16. Mindig kapcsolja ki a készüléket, mielőtt a dugaszolóaljzatba csatlakoztatná vagy lecsatlakoztatná. A kábel kihúzásakor a dugót húzza, ne a kábelt.
17. Ne használja ezt a készüléket hosszabbító kábellel, amíg a kábelt szakképzett vagy szerviztechnikus nem ellenőrzi és nem teszteli.
18. Soha ne használjon nem eredeti tartozékokat.
19. Kerülje a készülék mozgó részével való érintkezést. Tartsa távol a kezét, a haját, a ruháit, spatuláját és más konyhai eszközét a készüléktől a készülék működése közben. Ez csökkenti a sérülés és / vagy a készülék károsodásának kockázatát.
20. A szellőzőnyílásokat, amelyeken a forró levegő áramlik ki a motorból, ne fordítsa a fal és forró tárgyak vagy nyílt tér felé.
21. Ne helyezze az élelmiszer szárítót közvetlen hőforráshoz. Győződjön meg arról, hogy a dugaszolóaljzata sehol nem nyomódik össze, különben tüzet vagy áramütést okozhat.
22. Ha az élelmiszer szárítót valaki másnak adják át, akkor ezt a használati útmutatót is át kell adnia.
23. Ez az eszköz nem használható külső időzítővel vagy más vezérlőrendszerrel.

Figyelmeztetés:

- Az áramütés kockázatának csökkentése érdekében soha ne merítse a készüléket vízbe, esőre, nedves helyre vagy más folyadékba.
- Ne használja a készüléket fürdőkád, mosdó vagy egyéb, vizet vagy más folyadékot tartalmazó edény közelében, valamint nedves vagy vizes felületen.
- Ne tárolja a készüléket nedves környezetben.
- Ne tegye ki a szárítót magas hőmérsékletnek, napfénynek vagy nedvességnek.
- Ne használja a készüléket, ha vizes a keze.
- Kapcsolja ki a készüléket nedves környezetben.
- Ha a készülék vízbe esik, kapcsolja ki a készüléket és azonnal vegye ki a dugóját.

NE TÁVOLÍTSA EL A KÉSZÜLÉKET A VÍZBŐL, AMÍG A KÉSZÜLÉK ENERGIÁVAL VAN ELLÁTVA.

- Fontos tudni, hogy a készüléket szakképzett szakembernek kell ellenőriznie, mielőtt újra használná.
- **FIGYELEM!** Ne használja a készüléket 48 óránál hosszabb ideig egy használat alatt.
- 48 órás használat után húzza ki a dugaszolóból, és hagyja kihűlni legalább 2 óráig, mielőtt újra használná.
- Ne használja a készüléket gázsprayek közelében.
- A készülék nem megfelelő használata és helytelen kezelése meghibásodást és a felhasználó sérülését okozhatja.
- A tápkábelt nem szabad nehéz vagy éles tárgyak alá rögzíteni, különben tüzet vagy áramütést okozhat.
- A szárító alatti felület hőmérséklete üzem közben magas lehet.

Szárító tulajdonságai

A készülék a meleg levegő áramlásának szabályozására, automata vezérlőrendszerrel van felszerelve. Ezért egyenletes az étel szárítása ebben a szárítóban.

A szárított élelmiszerek szinte az összes tápértéket megtartják és az ízük nem változik. Éppen ezért jó választás, ha az egészséges táplálásról van szó.

Nagyszerű módja a gyümölcsök, kis ételek, zöldségek, fűszernövények stb. tárolásához.

A szárító 6 rozsdamentes acél szárítólemezzel (szitával) van felszerelve, az egyes lemezek kapacitása 0,6kg alapanyag.

Lehetőség van egy vagy több lap kiválasztására, ami nagyobb teret ad az erősebb anyagok szárítására.

A szárítólemezeket könnyű tisztítani.

A könnyebb tisztításhoz használjon egy tálcát a szárító alján, hogy elkapja a maradékokat és a morzsákat.

Szárításkor zárja be az ajtókat.

Az első használat előtt

1. Távolítsa el az összes csomagolást a szárítóról és tartozékairól. Ellenőrizze a csomag tartalmát.
2. Tisztítsa meg a szárítólemezeket nedves törlővel.
3. Helyezze a szárítót szilárd, vízszintes felületre. Csatlakoztassa. Helyezze el a szárítólemezeket a szárítóba.
4. Kapcsolja be a szárítót 30 percig maximális hőmérsékleten, étel nélkül. Győződjön meg arról, hogy a helyiség jól szellőzik. Normális, ha a szárító füstöt vagy szagot termel.
5. Öblítse le a szárítólemezeket vízben és szárítsa meg.

Megjegyzés: Ezt csak a készülék első használata előtt szükséges elvégezni.

Tippek a szárításhoz

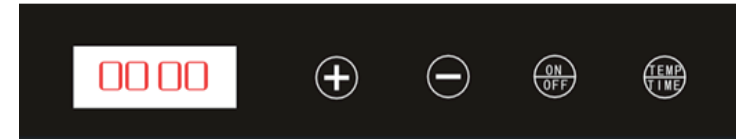
Az élelmiszer szárítási ideje az alábbi tényezők függvényében változhat:

1. A darabok vagy szeletek vastagsága
2. A szárítandó élelmiszer lemezek száma
3. A szárított élelmiszerek mennyisége
4. A levegő páratartalma a környezetében
5. Az egyes gyümölcsfajták személyes preferenciái

Szárításnál ajánljuk

- Minden órában ellenőrizze a szárított ételeket.
- Jegyezze fel a szárított élelmiszerek súlyát és azt, hogy mennyi ideig szárította azokat.
- A szárítás utáni megfelelő élelmiszer-tárolás fenntartja a jó minőségű élelmiszert és megtartja a tápanyagait.

A készülék használata



1. Helyezze a megtisztított élelmiszert a szárítótálcákra. A szárítótálcát ne pakolja túl és az élelmiszerek nem fedhetik egymást.

Zárja be a szárító ajtajait.

2. Csatlakoztassa az eszközt. A szárító egyszer sípolni fog, majd az ON/OFF gombok kivilágítanak és a kijelzőn a „8888” jelenik meg.
3. Nyomja meg az ON/OFF gombot, a LED kijelzőn az alapértelmezett „10:00” beállítás és a „70°C” hőmérséklet. Először a motor és a ventilátor indul be, majd 5 másodperc múlva indul a fűtési rendszer. Ezután megkezdődik a beállított szárítási idő visszaszámlálása, és a „:”szimbólum villogni kezd a LED kijelzőn.
4. Nyomja meg a TEMP / TIME gombot. A hőmérséklet villogni kezd a kijelzőn.

A + vagy - gombbal állítsa be a hőmérsékletet (hőmérséklet beállítása 35 °C - 75 °C).

MEGJEGYZÉS: A hőmérsékletet 5 °C-ként állítható. Nyomja meg és tartsa lenyomva a + vagy - gombot a hőmérséklet gyorsabb beállításához.

5. A hőmérséklet beállítása után nyomja meg ismét a TEMP / TIME gombot a szárítási idő 0:30-48:00) beállításához.

MEGJEGYZÉS: Az idő 30 perces időközönként állítható be. Nyomja meg és tartsa lenyomva a + vagy - gombot az idő gyorsabb beállításához.

6. A kívánt hőmérséklet és idő beállítása után a készülék elkezd működni.

MEGJEGYZÉS: Ha az ON/OFF gombot megnyomja szárítás közben, minden funkció leáll. „0000” jelenik meg a kijelzőn.

MEGJEGYZÉS: Az idő- vagy hőmérséklet-beállítást bármikor megváltoztathatja a TEMP / TIME gomb megnyomásával. Először nyomja meg a „TEMP/TIME” gombot, aztán a „+” vagy „-”.

7. Amikor a szárítási idő lejár, a fűtőelem kapcsol ki először. A ventilátor még 10 másodpercig fúj, és a hangjelzés 20-szor sípolni fog (másodpercenként egyszer).
8. Szárítás után húzza ki a szárítót a dugaszolóból.

A szárítóban szárított gyümölcsök és zöldségek kinézetre eltérnek a boltokban és szupermarketekben vásárolt szárított gyümölcsöktől és zöldségektől. Ez azért van, mert a szárított gyümölcsök és zöldségek tartósítószeres, mesterséges színezékek és egyéb összetevők nélkül száradnak.

A levegő páratartalmának és a szárított élelmiszerek tömegének feljegyzése a szárítás előtt és után segít javítani a szárítási technikákat a jövőben.

Tárolás

- A szárított zöldségeket kizárólag azután tárolja, hogy kihűlnek.
- A hűvös, száraz és sötét helyen tárolt élelmiszerek hosszabb ideig maradnak frissek.
- Próbálja meg minél több levegőt eltávolítani a zacskóból vagy a tartályból, ahol a szárított élelmiszert tárolja, és erősen zárja le.
- Az optimális tárolási hőmérséklet 15 ° C vagy kevesebb.
- Soha ne tárolja a szárított élelmiszert fémtartályban.
- Ne tárolja olyan tartályokban, amelyek lyukakat tartalmaznak vagy rosszul záródnak.
- Szárítás és tárolás után időnként ellenőrizze, hogy az élelmiszer nem e nedves. Ha az élelmiszer nedves, hosszabb ideig kell szárítani, hogy ne romoljon el.
- A szárított gyümölcsöket, zöldségeket, gyógynövényeket, diókat stb. hűtőszekrényben vagy fagyasztóban tárolva 1 évnél hosszabb ideig nem szabad tárolni
- Szárított húst, baromfit és halat nem szabad 3 hónapnál hosszabb ideig tarolni hűtőszekrényben és 1 évnél hosszabb ideig tárolni a fagyasztóban.

Karbantartási / tisztítási módszerek

A szárítót használat után húzza ki a dugaszolóból, és hagyja kihűlni, mielőtt tisztítaná.

Puha kefe használatával távolítsa el a szárított ételmaradékokat a szárítólaponkról.

Tárolás idejére szárítsa meg a szárító összes részét.

Mossa le a szárító felületét törölővel.

Használjon papírtörölkőt, és távolítsa el a felesleges marinátot.

A szárító felületének károsodásának elkerülése érdekében ne tisztítsa agresszív vegyszerekkel vagy csiszolóanyagokkal.

A zöldségek táblázata

Zöldség	Elkészítés	Állapot szárítás után	Idő (óra)	Ajánlott hőmérséklet (°C)
Articsóka	Vágja szeletekre és főzze 10 percig.	Törékeny	6 - 14	57
Spárga	Vágja szeletekre.	Törékeny	6 - 14	52
Bab	Szeletelje fel és főzze rövid ideig.	Törékeny	8 - 26	57
Répa	Hámozza meg és távolítsa el a gyökerét.	Törékeny	8 - 26	57
Kelbimbó	Vágja le a szárat és vágja félbe.	Ropogós	8 - 30	52
Brokkoli	Vágja szeletekre és főzze 3 - 5 percig.	Törékeny	6 - 14	52
Káposzta	Vágja csíkokra.	Kemény	6 - 14	52
Sárgarépa	Főzze, amíg meg nem puhul.	Kemény	6 - 12	52
Karfiol	Főzze meg és szeletelje fel.	Kemény	6 - 16	52
Zeller	Vágja csíkokra.	Törékeny	6 - 14	52
Snidling	Szeletelje fel.	Törékeny	6 - 10	52
Uborka	Hámozza meg és szeletelje fel.	Kemény	6 - 18	52
Padlizsán/ tök	Hámozza meg és szeletelje fel.	Törékeny	6 - 18	52
Fokhagyma	Hámozza meg és szeletelje fel.	Törékeny	6 - 16	52
Chili	Szárítsa egészben.	Kemény	6 - 14	52
Gomba	Aprítsa fel vagy szárítsa egészben.	Kemény	6 - 14	52
Hagyma	Szeletelje fel csíkokra vagy körökre.	Törékeny	8 - 14	63
Borsó	Főzze 3 - 5 percig.	Törékeny	8 - 14	52
Paprika	Szeletelje fel, távolítsa el a csutkát.	Törékeny	4 - 14	52
Burgonya	Vágja csíkokra vagy kockázza fel.	Törékeny	6 - 18	52
Rebarbara	távolítsa el a héját és szeletelje fel.	Nincs nedvesség	6 - 38	57
Spenót	Párolja, amíg meg nem puhul.	Törékeny	6 - 16	52
Paradicsom	Hámozza meg, vágja szeletekre.	Törékeny	6 - 24	52
Cukkini	szelet törékeny	Törékeny	6 - 18	52

Műszaki adatok:

Feszültség: 220-240 V, 50/60 Hz

Teljesítmény: 550-650 W

Időzítő: 00:30-48:00

Hőmérséklet: 35 °C - 75 °C

A magyar használati utasítás a gyártótól kapott verzió pontos fordítása.

A kézikönyvben használt fényképek csak illusztrációk, nem egyeznek meg pontosan a termékkel.

A gyümölcsök táblázata

Zöldség	Elkészítés	Állapot szárítás után	Idő (óra)	Ajánlott hőmérséklet (°C)
Alma	Vágja fel, távolítsa el a csutkját, és vágja szeletekre vagy körökre.	Puha	5 - 6	57
Sárgabarack	Tisztítsa meg, vágja szeletekre vagy félbe.	Puha	12 - 38	57
Banán	Hámozza meg és szeletelje fel.	Ropogós	8 - 38	57
Bogyók	Az epret vágja félbe vagy szárítsa egészben.	Nincs nedvesség	8 - 26	57
Cseresznye	Magozza ki.	Törékeny	8 - 34	57
Vörös áfonya	Aprítsa fel vagy szárítsa egészben.	Puha	6 - 26	57
Datolya	Magozza ki és szeletelje fel.	Törékeny	6 - 26	57
Füge	Vágja szeletekre.	Törékeny	6 - 26	57
Szőlő	Egészben szárítsa.	Puha	8 - 38	57
Nektarin	Vágja félbe, a héjával lefelé szárítsa.	Puha	8 - 26	57
Őszibarack	Szeletelje fel vagy vágja félbe, a húzával felfelé szárítsa.	Puha	10 - 34	57
Körte	Hámozza meg és szeletelje fel.	Puha	8 - 30	57
Gyógynövények, csipkebogyó	Aprítsa fel vagy szárítsa egészben.	Nincs nedvesség	6 - 10	40

Szárított marhahús elkészítése

A legfontosabb, hogy megfelelő húst válasszon. Válasszon jó minőségű húst, távolítsa el a felesleges zsírt és a szöveteket.

A zsíros hús nehezebben szárad ki. Hogy a húst könnyebben lehessen szeletelni, tegye a mélyhűtőbe 30 percre, majd fordítsa meg és hagyja ott még 15 percig.

Szeletelje szép, vékony szeletekre.

A húst megsózhatja, megborsozhatja, megfűszerezheti, vagy megszórozhatja szárított fokhagymával vagy hagymával.

A pácolt húst törölje le egy törülköendővel és rakja rá a szárító tálcára. Szárítsa amíg a hús hajlékony lesz, de nem törékeny. Hús szárítására körülbelül 6 - 16 óráig tart.

Pác marhahúshoz

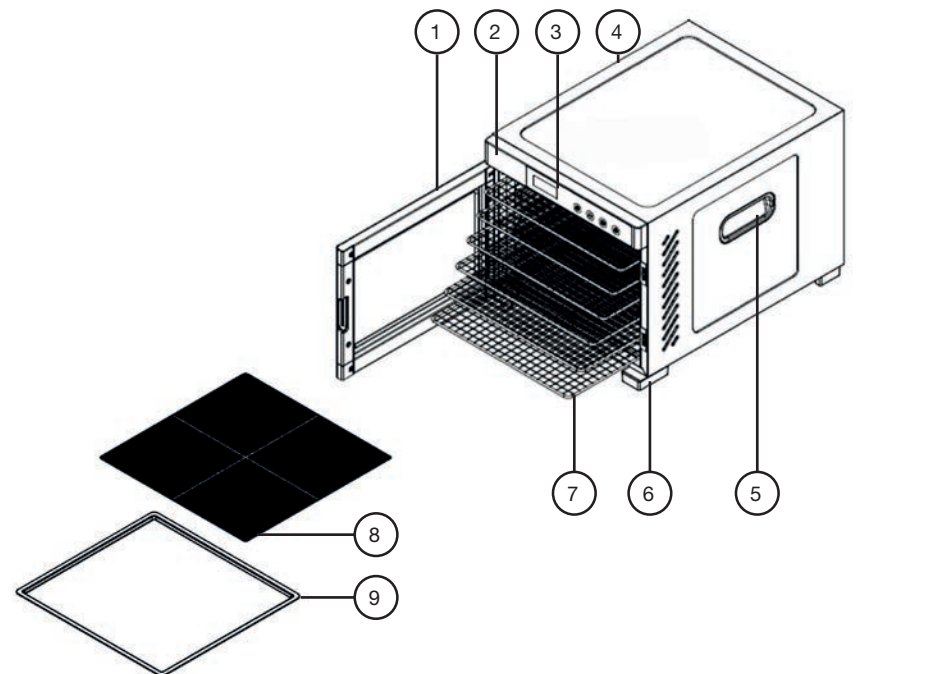
- ½ csésze szójaszósz
- 2 evőkanál barna cukor
- ½ csésze Worcestershire szósz
- ½ teáskanál hagyma por
- zúzott fokhagyma gerezd
- 2 evőkanál ketchup
- 1 ¾ teáskanál só
- ½ teáskanál bors

PL

Dziękujemy za zakup naszego produktu.

Przed użyciem prosimy starannie przeczytać tę instrukcję.

Opis



- | | | |
|---------------------|-----------------------|--|
| 1. drzwi | 4. Pokrywa urządzenia | 7. Płyta ze stali nierdzewnej |
| 2. Panel | 5. Uchwyt | 8. Drobne sito |
| 3. Panel sterowania | 6. Stopy | 9. Taca do suszenia (akcesoria opcjonalne) |

Akcesoria opcjonalne:

Drobne sito

Umieść drobne sito na płytce ze stali nierdzewnej.

Nadaje się do suszenia mniejszych składników, takich jak zioła, jagody i lepkie surowe pożywienie, takie jak banany i pomidory.

Taca do suszenia (akcesoria opcjonalne)

Umieść tacę suszącą na nierdzewnej blacie, zrób pyszne bułeczki z owocami.

Jeśli nie używasz tacy suszącej do suszenia płynnych surowych pokarmów, umieść ją na dnie suszarki jako tacę podródek.

Instrukcje bezpieczeństwa

Zawsze należy przestrzegać podstawowych środków ostrożności podczas korzystania z tego urządzenia elektrycznego.

Przeczytaj tę instrukcję przed użyciem. Po przeczytaniu warto ją zachować do dalszego wykorzystania w przyszłości

1. To urządzenie nie jest przeznaczone do użytku przez osoby (w tym dzieci) o ograniczonych zdolnościach fizycznych, sensorycznych lub umysłowych lub z brakiem doświadczenia i wiedzy, chyba że są nadzorowane lub instruowane, jak korzystać z urządzenia przez osobę odpowiedzialną za ich bezpieczeństwo.
2. Nie używaj suszarki do żywności w pomieszczeniach zewnętrznych.
3. Kiedy używasz suszarki do żywności, upewnij się, że stoi na równej, płaskiej i twardej powierzchni, aby zapobiec upadkowi. Weź również pod uwagę masę urządzenia.
4. Nieprzestrzeganie tych instrukcji może spowodować porażenie prądem, pożar lub poważne obrażenia ciała. Ostrzeżenia, przestrogi i instrukcje zawarte w tym podręczniku nie mogą obejmować wszystkich możliwych okoliczności i sytuacji, które mogą wystąpić podczas korzystania z urządzenia.
5. Nie pozostawiaj urządzenia bez nadzoru podczas użytkowania.
6. Zawsze przechowuj urządzenie w miejscu niedostępnym dla dzieci, ponieważ nie są one w stanie rozpoznać ryzyka niewłaściwego obchodzenia się z tym urządzeniem elektrycznym.
7. Przed podłączeniem urządzenia do gniazdka elektrycznego upewnij się, że napięcie na etykiecie instrumentu jest zgodne z rzeczywistym napięciem.
8. Upewnij się, że suszarka do żywności jest wyłączona i nie jest podłączona, gdy zamierzasz ją wyczyścić lub naprawić.
9. Upewnij się, że suszarka do żywności i jej kabel nie znajdują się nad krawędzią powierzchni roboczej i trzymaj ją z dala od gorących przedmiotów i otwartego ognia, w przeciwnym razie plastik może stopić się na suszarce i może dojść do pożaru.
10. Nie zanurzaj urządzenia ani jego wtyczki w wodzie ani żadnych innych płynach pod żadnym pozorem. Nie używaj urządzenia, gdy masz mokre ręce.
11. Regularnie sprawdzaj urządzenie i kabel wtyczki, czy nie został uszkodzony.
12. Nie używaj urządzenia, jeśli kabel z wtyczką został uszkodzony lub urządzenie miało wadliwe działanie, upadło na ziemię lub zostało uszkodzone w jakikolwiek inny sposób.
13. Jeśli kabel instrumentu został uszkodzony, musi zostać wymieniony przez producenta, jego serwis lub osobę o podobnych kwalifikacjach.
14. Naprawy suszarki do żywności powinien przeprowadzać wyłącznie wykwalifikowany elektryk. Niewłaściwe naprawy mogą spowodować zagrożenie dla użytkownika.
15. Żadna z części urządzenia nie nadaje się do zmywarek, chyba że wyraźnie zaznaczono inaczej.
16. Zawsze wyłączaj urządzenie przed podłączeniem lub odłączeniem go od gniazda. Odłącz kabel trzymając za wtyczkę, nie ciągnij za kabel.
17. Nie używaj tego urządzenia z przedłużaczem, chyba że kabel był kontrolowany i testowany przez wykwalifikowaną osobę lub serwisanta.
18. Nigdy nie używaj nieoryginalnych akcesoriów.
19. Unikaj kontaktu z ruchomymi częściami urządzenia. Trzymaj ręce, włosy, ubrania, łopatki i inne przybory kuchenne z dala od urządzenia podczas pracy. Zmniejsza to ryzyko obrażeń i / lub uszkodzenia urządzenia.
20. Nie wolno obracać kanałów powietrznych, przez które gorące powietrze z silnika wydostaje się z suszarki, do ściany lub do łatwopalnych przedmiotów, ale do otwartego obszaru.

21. Nie umieszczaj suszarki do żywności na żadnym bezpośrednim źródle ciepła. Upewnij się, że wtyczka nie jest wciśnięta w żadnym innym miejscu, w przeciwnym razie może dojść do pożaru lub porażenia prądem.
22. Jeśli przekazujesz suszarkę komuś innemu, ta instrukcja obsługi musi również zostać przekazana tej osobie.
23. To urządzenie nie jest przeznaczone do użytku z zewnętrznym regulatorem czasowym lub innym systemem sterowania.

Ostrzeżenia:

- Aby zmniejszyć ryzyko porażenia prądem, nie zanurzaj produktu i kabla w wodzie ani nie wystawiaj go na działanie deszczu, wilgoci lub innych cieczy.
- Nie używaj urządzenia w pobliżu wanny, umywalki i innych pojemników zawierających wodę lub inne płyny i nie kładź go na mokrych lub wilgotnych powierzchniach. Nie przechowuj urządzenia w wilgotnym otoczeniu.
- Nie wystawiaj suszarki na działanie wysokich temperatur, nasłonecznienia i wilgoci.
- Nie używaj urządzenia mokrymi rękami.
- Wyjmij kabel z urządzenia w wilgotnym otoczeniu.
- Jeśli urządzenie wpadnie do wody, wyłącz zasilanie i natychmiast wyjmij wtyczkę.

NIE ODŁĄCZAJ URZĄDZENIA OD WODY PRZED WYŁĄCZENIEM ZASILANIA.

- Ważne jest, abyś wiedział, że urządzenie musi najpierw zostać sprawdzone przez wykwalifikowanego technika przed ponownym użyciem.
- **UWAGA!** Nie używaj urządzenia przez ponad 48 godzin podczas jednego użycia. Po 48 godzinach pracy suszarki odłącz ją i pozwól jej ostygnąć przez co najmniej 2 godziny przed ponownym użyciem.
- Nie używaj urządzenia w pobliżu rozpylaczy gazowych.
- Nieprawidłowa obsługa i niewłaściwe użycie mogą spowodować awarię urządzenia i obrażenia użytkownika.
- Kabel zasilający nie może być zaciśnięty pod ciężkimi lub ostrymi przedmiotami, w przeciwnym razie może dojść do pożaru lub porażenia prądem.
- Temperatura dolnej powierzchni pod suszarką może być podczas pracy wysoka.

Właściwości suszarki

Urządzenie wyposażone jest w automatyczny system kontroli cyrkulacji gorącego powietrza. Dlatego suszenie żywności w tej suszarce jest równomierne.

Suszone produkty spożywcze zachowują niemal wszystkie wartości odżywcze i nie zmieniają ich smaku. Są zatem doskonałym wyborem jako zdrowa przekąska.

To świetny sposób na przechowywanie owoców, małych potraw, warzyw, ziół i innych.

Suszarka wyposażona jest w 6 tac suszących ze stali nierdzewnej, pojemność każdej płatności to 0,6kg surowej żywności.

Możliwe jest usunięcie jednej lub więcej tac i daje więcej miejsca na suszenie mocniejszych surowych potraw.

Suszenie tacek jest łatwe do czyszczenia.

Aby ułatwić czyszczenie, użyj tacy suszarki, która wychwytuje podroby i resztki.

Podczas suszenia zamknij drzwi.

Przed pierwszym użyciem

1. Usuń wszystkie opakowania z suszarki i jej akcesoriów. Sprawdź zawartość opakowania.
2. Wyczyść tace wilgotną ściereczką.
3. Ustaw suszarkę na stabilnej, równej powierzchni. Podłącz go do gniazda. Umieść tace w suszarce.
4. Włącz suszarkę na 30 minut do maksymalnej temperatury bez produktów spożywczych. Upewnij się, że pomieszczenie jest wystarczająco wentylowane. Jest rzeczą normalną, że suszarka wytwarza dym lub zapach.
5. Optucz tacki do suszenia w wodzie i wysusz je.

Uwaga: Należy to zrobić tylko przed pierwszym użyciem urządzenia.

Wskazówki dotyczące suszenia

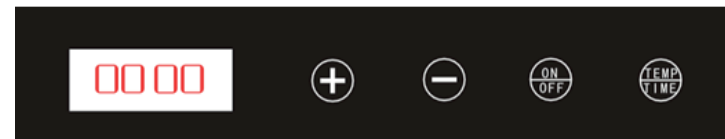
Czas suszenia może się różnić w zależności od następujących czynników:

1. Grubość kawałków lub plasterków
2. Liczba tacek z suszoną żywnością
3. Objętość suszonej żywności
4. Wilgotność powietrza w twoim otoczeniu
5. Twoje osobiste preferencje dla każdego rodzaju owoców

Do suszenia zalecamy

- Sprawdzaj suszone produkty co godzinę.
- Zwróć uwagę na wagę suszonych potraw i czas suszenia żywności.
- Właściwe przechowywanie żywności po suszeniu utrzyma żywność w dobrej jakości i zachowa składniki odżywcze.

Korzystanie z urządzenia



1. rzełóż oczyszczoną żywność na tacach do suszenia. Nie przepelniaj suszarki i nie nakładaj jedzenia.

Zamknij drzwi suszarki.

2. Podłącz urządzenie do gniazda. Suszarka wyda jeden sygnał dźwiękowy, zaświeci się przycisk ON / OFF i na wyświetlaczu pojawi się „8888”.
3. Naciśnij przycisk ON / OFF, na wyświetlaczu LED pojawi się domyślne ustawienie „10:00” i temperatura „70 ° C”. Silnik i wentylator są uruchamiane jako pierwsze, a następnie system ogrzewania zaczyna działać po 5 sekundach. Następnie rozpoczyna się odliczanie ustawionego czasu suszenia, a na wyświetlaczu LED miga symbol „:”.
4. Naciśnij przycisk TEMP / TIME. Temperatura będzie migać na wyświetlaczu.

Użyj przycisku + lub - do ustawienia temperatury (zakres ustawień temperatury wynosi 35 ° C-75 ° C).

UWAGA: Temperatura jest regulowana o 5 ° C. Naciśnij i przytrzymaj przycisk + lub -, aby ustawić temperaturę szybciej.

5. Po ustawieniu temperatury ponownie naciśnij przycisk TEMP / TIME, aby ustawić czas suszenia.

Czas będzie migał na wyświetlaczu, użyj przycisku + lub - do ustawienia czasu (zakres ustawień czasu wynosi 0: 30-48: 00).

UWAGA: Czas można ustawić w przedziale 30 minut. Naciśnij i przytrzymaj przycisk + lub -, aby ustawić czas szybciej.

6. Po ustawieniu żądanej temperatury i czasu urządzenie rozpocznie pracę.

UWAGA: Naciśnięcie przycisku ON / OFF podczas suszenia spowoduje zatrzymanie wszystkich funkcji. Na wyświetlaczu pojawi się „0000”.

UWAGA: Naciśnij przycisk TEMP / TIME, aby zmienić ustawienie czasu lub temperatury w dowolnym momencie. Najpierw naciśnij przycisk „TEMP / TIME”, a następnie naciśnij przycisk „+” lub „-”.

7. Po upływie czasu suszenia system grzewczy jest najpierw wyłączany. Wentylator będzie nadal dmuchał przez 10 sekund, a brzęczyk wyda dźwięk 20 razy (raz na sekundę).
8. Po zakończeniu suszenia zdejmij suszarkę z gniazda.

Owoce i warzywa suszone w suszarce będą wizualnie różnić się od suszonych owoców i warzyw kupowanych w sklepach i supermarketach. Dzieje się tak dlatego, że suszone owoce i warzywa będą suszone bez konserwantów, sztucznych barwników i innych składników.

Rejestrowanie wilgotności powietrza i masy suszonych produktów przed i po suszeniu pomoże w przyszłości poprawić technikę suszenia.

Przechowywanie

- Przechowuj suszoną żywność dopiero po jej schłodzeniu.
- Żywność będzie trwać dłużej, jeśli będą przechowywane w chłodnym, suchym i ciemnym miejscu.
- Spróbuj usunąć jak najwięcej powietrza z torby lub butelki, w której przechowujesz suszone produkty i dokładnie je uszczelnij.
- Optymalna temperatura przechowywania wynosi 15 ° C lub mniej.
- Nigdy nie przechowuj suszonej żywności w metalowym pojemniku.
- Unikaj przechowywania w pojemnikach z otworami lub pojemnikami, które mają złe uszczelnienie.
- Po wysuszeniu i przechowywaniu żywności sporadycznie sprawdź, czy nie są wilgotne. Jeśli potrawy są wilgotne, należy je wysuszyć przez dłuższy czas, aby się nie zepsuły.
- Suszone owoce, warzywa, zioła, orzechy itp. nie powinny być przechowywane dłużej niż 1 rok, jeśli są przechowywane w lodówce lub zamrażarce.
- Suszone mięso, drób i ryby nie powinny być przechowywane dłużej niż 3 miesiące, jeśli są przechowywane w lodówce i dłużej niż 1 rok w zamrażarce.

Konserwacja / metody czyszczenia

Po użyciu suszarki odłącz ją od gniazda i pozostaw do ostygnięcia przed czyszczeniem.

Użyj miękkiej szczotki i usuń pozostałości suszonej żywności na płytkach suszących.

Przed przechowywaniem suszarki należy osuszyć wszystkie jej części.

Umyj powierzchnię suszarki ściereczką.

Użyj ręczników papierowych i usuń nadmiar marynaty.

Aby uniknąć uszkodzenia powierzchni suszarki, nie należy jej czyścić agresywnymi chemikaliami lub substancjami ściernymi.

Specyfikacja techniczna:

Napięcie: 220-240 V~, 50/60 Hz

Moc: 550-650 W

Regulator czasowy: 00:30-48:00

Temperatura: 35 °C - 75 °C

Tabela przygotowania warzyw

Produkt	Przygotowanie	Stan po wysuszeniu	Czas suszenia (godz.)	Zalecana temperatura (°C)
Karczochy	Pokroić i gotować przez 10 minut.	Krucze	6 - 14	57
Szparagi	Pokroić na kawałki. Główki szparagów są smaczniejsze.	Krucze	6 - 14	52
Fasolka	Pokroić i krótko gotować.	Krucze	8 - 26	57
Buraki	Obrać i usunąć korzonki.	Krucze	8 - 26	57
Brukselka	Odciąć todygę, pokroić na półki.	Krucze	8 - 30	52
Brokuły	Pokroić i gotować 3 - 5 minut.	Krucze	6 - 14	52
Kapusta	Pokroić w paski.	Twarde	6 - 14	52
Marchew	Ugotować na miękko. Pokroić w plasterki.	Twarde	6 - 12	52
Kalafior	Ugotować i pokroić.	Twarde	6 - 16	52
Seler	Pokroić w plasterki.	Krucze	6 - 14	52
Szcypiorek	Posiekać.	Krucze	6 - 10	52
Ogórek	Obrać i pokroić w plasterki.	Twarde	6 - 18	52
Bakłażan/dynia	Obrać i pokroić w plasterki.	Krucze	6 - 18	52
Czosnek	Usunąć łuski i pokroić.	Krucze	6 - 16	52
Papryczki chilli	Suszyć w całości.	Twarde	6 - 14	52
Grzyby	Pokroić, posiekać lub suszyć w całości.	Twarde	6 - 14	52
Cebula	Pokroić w plasterki lub kostkę.	Krucze	8 - 14	63
Groszek	Gotować 3 - 5 minut.	Krucze	8 - 14	52
Papryka	Pokroić w plasterki, usunąć nasiona.	Krucze	4 - 14	52
Ziemniaki	Pokroić w plasterki lub kostkę i gotować przez 8 - 10 minut.	Krucze	6 - 18	52
Rabarbar	Usuń skórki i pokrój.	Pozbawione wilgoci	6 - 38	57
Szpinak	Zaparzyć do zmięknienia.	Krucze	6 - 16	52
Pomidory	Oczyścić, pokroić w plasterki lub półki.	Krucze	6 - 24	52
Cukinię	pokroić na plastry	Krucze	6 - 18	52

Polska wersja językowa instrukcji jest dokładnym tłumaczeniem oryginalnej instrukcji producenta.

Zdjęcia wykorzystane w tym podręczniku są jedynie ilustracją i nie może dokładnie dopasować produkt.

Tabela przygotowania owoców

Produkt	Przygotowanie	Stan po wysuszeniu	Czas suszenia (godz.)	Zalecana temperatura (°C)
Jablka	Przekroić, usunąć gniazdo nasienne i pokroić w plastry.	Miękkie	5 - 6	57
Morele	Oczyścić, pokroić w plasterki lub połówki.	Miękkie	12 - 38	57
Banany	Obrać i pokroić w plasterki.	Kruche	8 - 38	57
Rośliny jagodowe	Truskawki pokroić w plastry, inne owoce jagodowe pozostawić w całości.	Pozbawione wilgoci	8 - 26	57
Czereśnie	Wypestkować.	Twarde	8 - 34	57
Żurawiny	Posiekać lub pozostawić w całości.	Miękkie	6 - 26	57
Daktyle	Wypestkować i pokroić w plasterki.	Twarde	6 - 26	57
Figi	Pokroić w plasterki.	Twarde	6 - 26	57
Winogrono	Suszyć w całości.	Miękkie	8 - 38	57
Nektarynki	Pokroić na połówki, suszyć skórka skierowaną w dół.	Miękkie	8 - 26	57
Brzoskwinie	Przepołowić lub pokroić w ćwiartki. Suszyć powierzchnią przekroju skierowaną w górę.	Miękkie	10 - 34	57
Gruszki	Obrać i pokroić.	Miękkie	8 - 30	57
Zioła	Pokroić, posiekać lub suszyć w całości.	Pozbawione wilgoci	6 - 10	40

Produkcja suszonej wołowiny

Najważniejsze jest dokonanie prawidłowego wyboru mięsa. Należy wybrać dobre jakościowo mięso i usunąć nadmierny tłuszcz i tkanki. Tłuszcz wpływa ujemnie na możliwość suszenia.

Aby ułatwić sobie krojenie mięsa, należy włożyć je na 30 minut do zamrażarki, następnie obrócić mięso i pozostawić je w zamrażarce na kolejnych 15 minut. Mięso kroić wzdłuż włókien na cienkie plastry.

Mięso przed suszeniem należy zamarynować na okres przynajmniej 3 godzin, najważniejsze jest marynowanie mięsa przez całą noc.

Mięso można osolić, popieprzyć, dodać przypraw lub posypać suszonym czosnkiem lub cebulą.

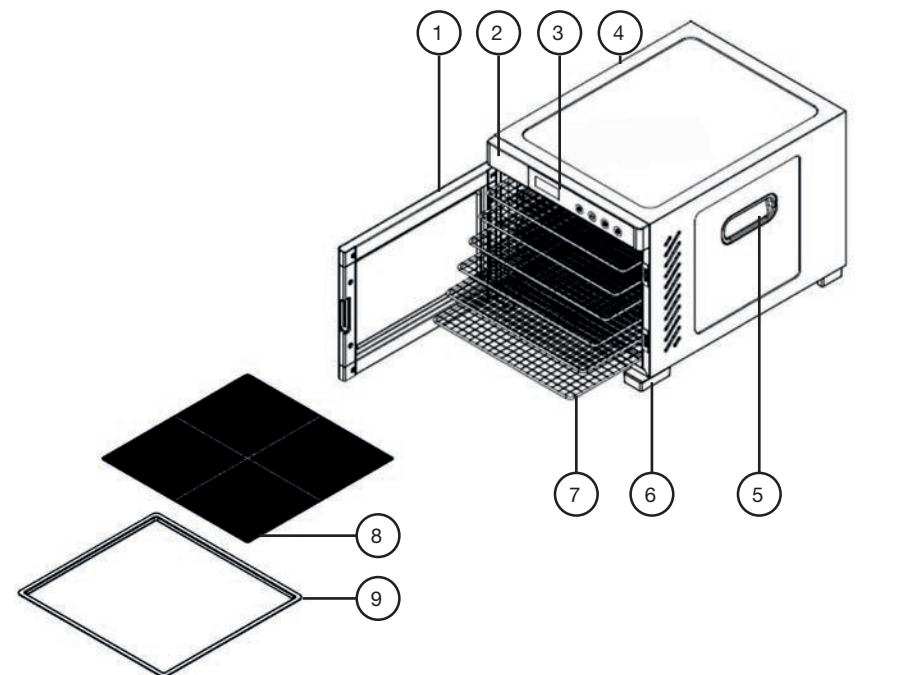
Zamarynowane plasterki należy osuszyć używając ręcznika papierowego i ułożyć je na płytach (mięso należy dokładnie osuszyć, powoduje to ochronę urządzenia). Mięso suszyć, dopóki jego struktura przestanie być lekko elastyczna. Suszenie mięsa trwa około 6 do 16 godzin. Suszona wołowina powinna być lekko ciągnąca się nie chrupka.

Marynata do wołowiny

- ½ kubka sosu sojowego
- 2 łyżki cukru brązowego
- ½ kubka sosu worcester
- ½ łyżeczki proszku cebulowego
- zduszony ząbek czosnku
- 2 łyżki keczupu
- 1¼ łyżeczki soli
- ½ łyżeczki pieprzu

HR

Hvala Vam na kupnji našeg proizvoda.



- | | | |
|--------------------|------------------------------|--|
| 1. Vrata | 4. Poklopac uređaja | 7. Rešetka od nehrđajućeg čelika |
| 2. Panel | 5. Element za pričvršćivanje | 8. Fino sito |
| 3. Kontrolna ploča | 6. Nogice | 9. Tacna za sušenje (prateća oprema koju možete naknadno kupiti) |

Izborna prateća oprema:

Fino sito

Fino sito stavite na rešetku od nehrđajućeg čelika.

Pogodno za sušenje manjih sastojaka poput biljaka, bobica i ljepljivih namirnica poput banana i rajčica.

Tacna za sušenje (prateća oprema koju možete naknadno kupiti)

Tacnu za sušenje stavite na rešetku od nehrđajućeg čelika, napravite si izvrsne voćne svitke. Ako tacnu za sušenje ne upotrijebite za sušenje tekućih namirnica, stavite je u donji dio sušilice kao tacnu za mrvice.

Sigurnosne upute

Uvijek se pridržavajte ovih osnovnih sigurnosnih mjera kod rabljenja ovog električnog uređaja.

Prije rabljenja, molimo Vas pročitajte ovu uputu i pohranite je za daljnu uporabu.

1. Ovaj uređaj nije namijenjen za rabljenje osobama (uključujući djecu) sa smanjenom fizičkom, osjetilnom i mentalnom sposobnošću ili s nedovoljnim iskustvom i znanjem bez nadzora kod rabljenja uređaja ili u slučaju da nisu od osobe odgovorne za njihovu sigurnost dobili upute kako uređajem sigurno rukovati.
2. Sušilicu za namirnice ne rabite u vanjskim prostorima.
3. Kod rabljenja sušilice za namirnice provjerite da li se nalazi na ravnoj i čvrstoj površini kako ne bi došlo do njezinog pada na tlo. U obzir uzmite također težinu uređaja.
4. Nepridržavanje se ovih instrukcija može voditi do potresa električnom strujom, nastanka požara ili do važne ozljede osoba. Upozorenja i instrukcije u ovoj uputi ne mogu sažeti sve moguće okolnosti i situacije koje se mogu pojaviti tijekom rabljenja uređaja.
5. Tijekom rabljenja ne ostavljajte uređaj bez nadzora.
6. Uređaj uvijek držite izvan dohvata djece, jer nisu sposobna prepoznati rizike spojene s neispravnim rukovanjem ovim električnim uređajem.
7. Prije uključivanja uređaja u električnu utičnicu provjerite da li se napon na etiketi uređaja slaže s električnim naponom.
8. Provjerite da li je sušilica za namirnice isključena i nije uključena u električnu utičnicu kada je namjeravate čistiti ili popravljati.
9. Provjerite da li sušilica i njezin kabel ne vise preko ruba radne daske i držite ih izvan dohvata vrućih objekata i otvorene vatre, inače može doći do taljenja plastike na sušilici i može nastati požar.
10. U nikakvom slučaju ne uranjajte uređaj niti utikač u vodu niti u nikakve druge tekućine. Uređaj ne rabite ako imate mokre ruke.
11. Uređaj i njegov kabel s utikačem redovno provjeravajte da li nije oštećen.
12. Uređaj ne rabite u slučaju da je kabel s utikačem bio oštećen, ako je uređaj imao kvar, pao je na tlo ili je bio oštećen na bilo koji drugi način.
13. U slučaju da je bio oštećen kabel uređaja, mora biti nadomješten proizvođačem, njegovim odsjekom za servis ili kvalificiranim osobama.
14. Popravke sušilice za namirnice trebali bi provoditi isključivo kvalificirani električari. Nestručni popravci mogu ugroziti korisnika.
15. Nikakvi dijelovi uređaja nisu pogodni za perilicu posuđa ako isključivo nije navedeno drugačije.
16. Uređaj uvijek isključite prije uključivanja i isključivanja u utičnicu. Kada vadite kabel, držite ga za utikač, nikada kabel ne vucite.
17. Ovaj uređaj ne rabite s produžnim kablom ako kabel nije provjerio i ispitao kvalificirani ili servisni tehničar.
18. Nikada ne rabite neoriginalnoprateću opremu.
19. Izbjegavajte dodir s pokretnim dijelovima uređaja. Tijekom rabljenja držite svoje ruke, kosu, odjeću, lopaticu i ostale kuhinjske potrepštine izvan dohvata uređaja. Na taj način ćete smanjiti rizik ozljede i/ili oštećenja uređaja.
20. Otvore kroz koje prelazi iz motora vruć zrak vani iz sušilice ne okrećite prema zidu niti prema zapaljivim predmetima, ali u otvoren prostor.
21. Sušilicu za namirnice ne stavljajte uz nikakav direktan izvor topline. Osigurajte da utikač ne bude nigdje stisnut, inače može doći do požara ili do potresa električnom strujom.
22. U slučaju da sušilicu za namirnice budete prodavali drugoj osobi, morate uz nju dodati i ovu uputu za uporabu.
23. Ovaj uređaj nije namijenjen za rabljenje s eksternim tajmerom ili drugim upravljačkim sustavom.

Upozorenje:

- Kako bi se smanjio rizik potresa električnom strujom, uređaj i kabel s utikačem nikada ne uranjajte u vodu niti ih ne izlažite kiši, vlazi niti drugim tekućinama.
- Uređaj ne rabite u blizini kade, umivaonika niti u bilo kojim drugim posudama koje sadrže vodu ili druge tekućine ili na vlažnoj ili mokroj površini. Uređaj ne pohranjujte u mokrim prostorima.
- Sušilicu ne izlažite visokim temperaturama, sunčanim zracima niti vlazi.
- Uređaj ne rabite ako imate mokre ruke.
- Uređaj isključite u vlažnim prostorima.
- U slučaju da uređaj padne u vodu, isključite ga iz napajanja i odmah izvadite utikač.

UREĐAJ NE VADITE IZ VODE DOK NIJE ISKLJUČENO NAPAJANJE UREĐAJA.

- Bitno je znati da uređaj mora biti prvo provjeren kvalificiranim tehničarom prije ponovnog rabljenja.
- **OPREZ!** Uređaj ne rabite dulje od 48 sati tijekom jedne uporabe. Poslje 48 sati rabljenja sušilice isključite uređaj iz utičnice i ostavite ga najmanje 2 sata da se ohladi prije ponovnog rabljenja.
- Uređaj ne rabite u blizini plinskih sprejeva.
- Pogrešno rabljenje i neprikladno rukovanje uređajem može uzrokovati kvar uređaja i ozljedu korisnika.
- Kabel za napajanje ne smije biti stisnut ispod teških ili oštrih predmeta, inače može nastati požar ili može doći do potresa električnom strujom.
- Temperatura površine ispod sušilice može biti tijekom rabljenja visoka.

Svojstva sušilice

Uređaj raspolaže automatskim sustavom regulacije za cirkulaciju toplog zraka. Stoga je sušenje namirnica u ovoj sušilici ravnomjerno.

Sušene namirnice sačuvaju gotovo sve nutritivne vrijednosti i ne mijenja se niti njihov okus. Izvrstan su izbor kao zdrava užina.

Izvrstan način kako pohraniti voće, male namirnice, povrće, biljke i slično.

Sušilica ima 6 rešetki za sušenje od nehrđajućeg čelika, kapacitet svake rešetke jeste 0,6kg namirnica.

Moguće je izvaditi jedno ili više rešetki. Na taj način ćete dobiti više prostora za sušenje debljih namirnica.

Rešetke za sušenje jednostavno se čiste.

Za jednostavnije čišćenje upotrijebite tacnu u donjem dijelu sušilice koja će zadržati ostatke i mrvice.

Kod sušenja zatvorite vrata uređaja.

Prije prvog rabljenja

1. Skinite sve omote sa sušilice i njezine prateće opreme. Provjerite sadržaj pakiranja.
2. Rešetke za sušenje očistite vlažnom krpicom.
3. Sušilicu stavite na čvrstu, ravnu površinu. Uključite je. Rešetke za sušenje stavite unutar sušilice.
4. Sušilicu uključite na 30 minuta na maksimalnu temperaturu, bez namirnica. Provjerite da li je prostor dovoljno prozračen. Normalna je pojava da sušilica stvara dim ili neugodan miris.
5. Tacne za sušenje saperite vodom i osušite ih.

Bilješka: Ovo je potrebno izvršiti samo prije prvog rabljenja uređaja.

Savjeti za sušenje

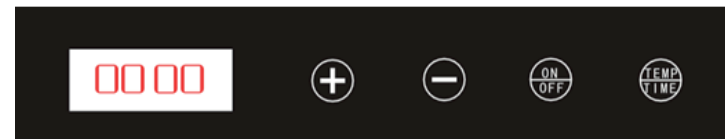
Trajanje sušenja namirnica može se razlikovati ovisno o sljedećim faktorima:

1. Debljina komada ili kriški
2. Broj rešetki s namirnicama koje su namijenjene za sušenje
3. Volumen namirnica za sušenje
4. Vлага zraka u Vašem prostoru
5. Vaše lične preferencije za svaku vrstu voća

Kod sušenja preporučujemo

- Svaki sat provjerite namirnice koje se suše.
- Zabilježite težinu namirnica koje sušite i vrijeme koje je bilo potrebno za sušenje namirnica.
- Ispravna pohrana namirnica nakon sušenja održat će kvalitetu namirnica, a one će sačuvati svoje hranjive tvari.

Rabljenje uređaja



1. Na tacne za sušenje stavite očišćene namirnice. Tacnu za sušenje ne prepunjavajte, namirnice se uzajamno ne smiju prekrivati.

Zatvorite vrata sušilice.

2. Uređaj uključite u utičnicu. Sušilica će se 1 put javiti zvučnim signalom, početak će svijetliti tipka ON/OFF a na ekranu će se pojaviti "8888".
3. Pritisnite tipku ON/OFF, na LED ekranu će se pojaviti izvorne postavke "10:00" i temperatura "70°C". Prvo će se uključiti motor i ventilacija, a zatim će se nakon 5 sekundi uključiti uređaj za grijanje. Poslije će početi odbrojavanje podešenog trajanja sušenja, a na LED ekranu početi će žmigati simbol ":".
4. Pritisnite TEMP/TIME tipku. Temperatura će žmigati na ekranu.

Upotrijebite tipku + ili - za podešavanje temperature (opseg za podešavanje temperature je 35°C-75°C).

BILJEŠKA: Temperatura se podešava intervalima po 5°C. Pritisnite i držite pritisnutu tipku + ili - i podesite temperaturu brže.

5. Kada podesite temperaturu, pritisnite TEMP/TIME tipku ponovno i podesite trajanje sušenja.

Vrijeme će na ekranu žmigati, upotrijebite tipku + ili - i podesite vrijeme (opseg za podešavanje vremena je 0:30-48:00).

BILJEŠKA: Vrijeme je moguće podesiti u intervalima po 30 minuta. Pritisnite i držite pritisnutu tipku + ili - i podesite vrijeme brže.

6. Poslije podešavanja željene temperature i vremena uređaj će početi raditi.

BILJEŠKA: U slučaju da tijekom sušenja pritisnete tipku ON/OFF, sve funkcije će se zaustaviti. Na ekranu će se pojaviti "0000".

BILJEŠKA: Pritiskanjem tipke TEMP/TIME možete bilo kada promijeniti podešavanje vremena ili temperature prema Vašoj želji. Prvo pritisnite tipku "TEMP/TIME", zatim pritisnite tipku "+" ili "-".

7. Nakon što se sušenje završi, prvo će se isključiti uređaj za grijanje. Ventilacija će još puhati 10 sekundi, a zujalica će se 20 puta javiti zvučnim signalom (1 put svake sekunde).
8. Nakon što se sušenje završi, izvadite sušilicu iz utičnice.

Voće i povrće sušeno u Vašoj sušilici razlikovat će se izgledom od sušenog voća i povrća kupljenog u prodavaonici ili supermarketu. To je zbog toga što će Vaše voće i povrće biti sušeno bez konzervansa, vještačkih boja i drugih primjesa.

Bilježenje vlage u zraku i težine namirnica prije i poslije sušenja će Vam ubuduće pomoći poboljšati tehniku sušenja.

Pohrana

- Osušene namirnice pohranite tek nakon što se ohlade.
- Namirnice će izdržati dulje vremena ako ih pohranite na hladnom, suhom i tamnom mjestu.
- Pokušajte ukloniti što više zraka iz vrećice ili posude u kojoj ćete pohraniti sušene namirnice i čvrsto ju zatvorite.
- Optimalna temperatura za pohranu je 15°C i manje.
- Sušene namirnice nikada ne pohranjujte u metalnoj posudi.
- Izbjegavajte pohranu u posudama s otvorom ili u posudama koje loše zaptivaju.
- Nakon sušenja i pohrane namirnica povremeno provjerite da li namirnice nisu vlažne. U slučaju da su namirnice vlažne, trebali biste ih sušiti dulje vremena da se ne pokvare.
- Sušeno voće, povrće, biljke, orasi itd. ne bi se trebali pohranjivati dulje od jedne godine ako su pohranjeni u hladnjaku ili u zamrzivaču.
- Sušeno meso, pileтина i ribe ne bi se trebali pohranjivati dulje od 3 mjeseca ako su pohranjeni u hladnjaku, a dulje od 1 godine u zamrzivaču.

Održavanje/metode čišćenja

Nakon rabljenja isključite sušilicu iz utičnice i ostavite je da se ohladi prije nego što je budete čistili.

Upotrijebite mekanu četku i uklonite ostatke osušenih namirnica koji su ostali na rešetkama za sušenje.

Prije nego što pohranite sušilicu, osušite sve njezine dijelove.

Površinu sušilice očistite krpicom.

Upotrijebite papirnati ručnik i uklonite suvišnu marinadu.

Kako ne bi došlo do oštećenja površine sušilice, ne čistite je agresivnim kemikalijama niti abrazivnim tvarima.

Tehnička specifikacija

Napon: 220-240 V~, 50/60 Hz

Snaga: 550-650 W

Tajmer: 00:30-48:00

Temperatura: 35 °C - 75 °C

Tabela za pripremu povrća

Proizvod	Priprema	Stanje poslije sušenja	Trajanje sušenja (h)	Preporučena temperatura (°C)
Artičoke	Izrežite i prokuhajte 10 minuta.	Krhko	6 - 14	57
Šparoga	Nakrájajte na kousky. Konce chřestu bývají chutnější.	Krhko	6 - 14	52
Grah	Izrežite i kratko prokuhajte.	Krhko	8 - 26	57
Repa	Ogulite i uklonite korijen.	Krhko	8 - 26	57
Ružičasti kupus	Odrežite peteljku, izrežite na polovice.	Hrskavo	8 - 30	52
Brokula	Izrežite i prokuhajte 3 - 5 min.	Krhko	6 - 14	52
Glavati kupus	Izrežite na kriške.	Čvrsto	6 - 14	52
Mrkva	Prokuhajte da se smekša. Izrežite na kriške.	Čvrsto	6 - 12	52
Cvjetača	Prokuhajte i izrežite.	Čvrsto	6 - 16	52
Celer	Izrežite na kriške.	Krhko	6 - 14	52
Vlasac	Nasjeckajte.	Krhko	6 - 10	52
Krastavac	Ogulite i izrežite na kriške.	Čvrsto	6 - 18	52
Patlidžan/ tikva	Ogulite i izrežite na kriške.	Krhko	6 - 18	52
Češnjak	Uklonite ljusku i izrežite.	Krhko	6 - 16	52
Čili papričice	Sušite cijele komade.	Čvrsto	6 - 14	52
Gljive	Izrežite na kriške, nasjeckajte ili sušite cijele komade.	Čvrsto	6 - 14	52
Luk	Izrežite na kriške ili nasjeckajte.	Krhko	8 - 14	63
Grašak	Prokuhajte 3 - 5 min.	Krhko	8 - 14	52
Paprike	Izrežite na kriške, uklonite sjemenke.	Krhko	4 - 14	52
Krumpir / Batata	Izrežite na kriške ili kockice i prokuhajte 8 - 10 min.	Krhko	6 - 18	52
Rabarbara	Uklonite ljusku i izrežite.	Nikakva vlaga	6 - 38	57
Špinat	Parite dok se ne smekša.	Krhko	6 - 16	52
Rajčice	Uklonite ljusku, izrežite na kriške ili na polovice.	Krhko	6 - 24	52
Tikvica	Izrežite na kriške.	Krhko	6 - 18	52

Hrvatska verzija upute točan je prijevod originalne upute proizvođača.

Fotografije upotrijebljene u uputi ilustrativne su i ne moraju biti u potpunosti identične s proizvodom.

Tabela priprave voća

Proizvod	Priprava	Stanje poslije sušenja	Trajanje sušenja (h)	Preporučena temperatura (°C)
Jabuke	Ogulite, uklonite jezgru i izrežite na kriške ili kolutiće.	Mekano	5 - 6	57
Marelice	Očistite, izrežite na kriške ili polovice.	Mekano	12 - 38	57
Banane	Ogulite i izrežite na kriške.	Hrskavo	8 - 38	57
Bobičasti plodovi	Jagode izrežite na kriške, ostalo bobičasto voće ostavite cijelo.	Nikakva vlaga	8 - 26	57
Trešnje	Izvadite koštice.	Čvrsto	8 - 34	57
Brusnice	Nasjeckajte ili sušite cijele.	Mekano	6 - 26	57
Datulje	Izvadite koštice i izrežite na kriške.	Čvrsto	6 - 26	57
Smokve	Izrežite na kriške.	Čvrsto	6 - 26	57
Grožđe	Sušite cijelo.	Mekano	8 - 38	57
Nektarine	Izrežite na polovice, sušite korom prema dolje.	Mekano	8 - 26	57
Breskve	Prepolovite ili izrežite na četvrtine. Sušite narezanom stranom prema gore.	Mekano	10 - 34	57
Kruške	Ogulite i izrežite.	Mekano	8 - 30	57
Biljke / šipak	Izrežite na kriške, nasjeckajte ili sušite cijele.	Nikakva vlaga	6 - 10	40

Priprava sušenog govedjeg mesa

Najbitniji je ispravan odabir mesa. Izaberite kvalitetno meso i uklonite svu suvišnu mast i tkivo. Mast smanjuje sposobnost mesa osušiti se.

Kako biste lakše mogli meso rezati, stavite ga na 30 minuta u zamrzivač, zatim ga okrenite i ostavite ga u zamrzivaču još 15 minuta. Meso režite po vlaknu na tanke kriške.

Meso prije sušenja marinirajte barem 3 sata, najbolje je ostaviti ga u marinadi preko noći.

Meso možete posoliti, popapriti ili posuti sušenim češnjakom ili lukom.

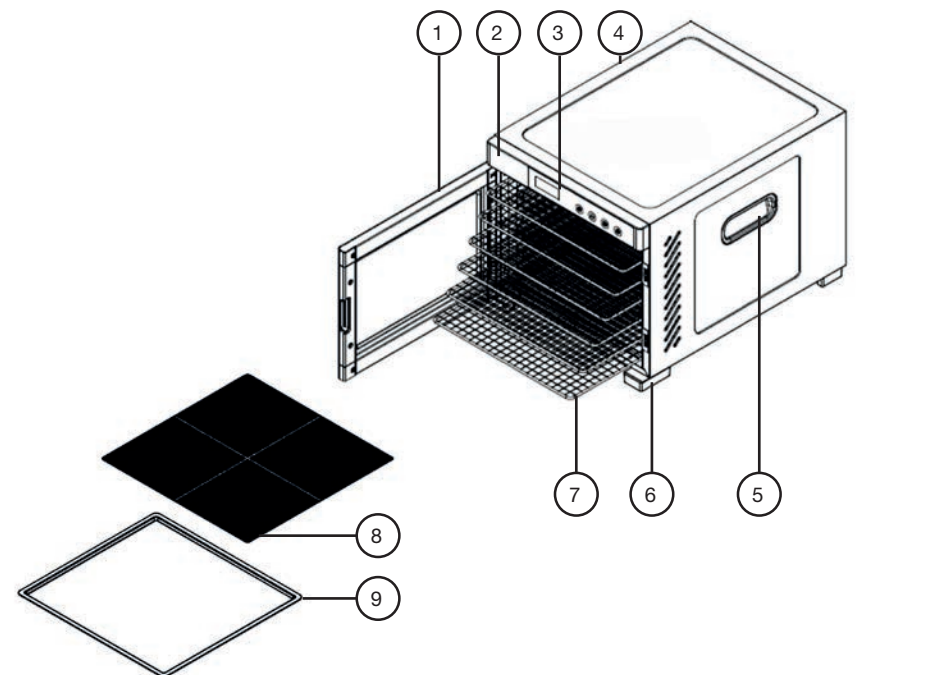
Marinirane kriške posušite papirnim ručnikom i stavite na rešetke (neophodno je meso dobro posušiti te na taj način čuvati uređaj). Meso sušite sve dok njegova struktura ne bude lagano savitljiva. Sušenje mesa zauzima 6 do 16 sati. Sušeno govedje meso trebalo bi se lagano žvakati, ne bi trebalo biti krhko.

Marinada za govedje meso

- ½ šalice sosa od soje
- 2 jušne žlice smeđeg šećera
- ½ šalice worcester sosa
- ½ čajne žlice luka u prahu
- izgnječen češanj češnjaka
- 2 jušne žlice kečapa
- 1¼ čajne žlice soli
- ½ čajne žlice papra

SLO

Zahvaljujemo se vam za nakup našega izdelka.



- | | | |
|--------------------|-------------------|-------------------------------------|
| 1. Vrata | 4. Pokrov naprave | 7. Plošča iz nerjavečega jekla |
| 2. Plošča | 5. Ročaj | 8. Fino sito |
| 3. Nadzorna plošča | 6. Noge | 9. Sušilni pladenj (dodatna oprema) |

Dodatna oprema:

Fino sito

Fino sito postavite na ploščo iz nerjavečega jekla.

Primerna za sušenje manjših sestavin, kot so zelišča, jagode in lepljive sestavine, kot so banane in paradižnik.

Pladenj za sušenje (izbirno)

Pladenj za sušenje položite na pladenj iz nerjavečega jekla, pripravite okusne sadne zvitke.

Če sušilnega pladnja ne uporabljate za sušenje tekočih sestavin, ga postavite na dno sušilnika kot pladenj za drobtine.

Varnostna navodila

Pri uporabi tega električnega aparata vedno upoštevajte te osnovne varnostne ukrepe.

Pred uporabo preberite ta priročnik in ga shranite za nadaljnjo uporabo.

1. Ta naprava ni namenjena za uporabo osebam (vključno z otroki) z zmanjšanimi fizičnimi, čutnimi ali duševnimi sposobnostmi ali pomanjkanjem izkušenj in znanja, razen če jim je oseba, odgovorna za njihovo varnost, pod nadzorom ali navodili glede uporabe naprave.
2. Sušilnika za živila ne uporabljajte na prostem.
3. Pri uporabi sušilnika za živila se prepričajte, da je na ravni, ploski in trdni površini, da ne bi padla na tla. Upoštevajte tudi težo naprave.
4. Neupoštevanje teh navodil lahko povzroči električni udar, požar ali resne telesne poškodbe. Opozorila, opozorila in navodila v tem priročniku ne morejo zajemati vseh možnih okoliščin in situacij, ki se lahko pojavijo pri uporabi naprave.
5. Med uporabo ne puščajte naprave brez nadzora.
6. Napravo vedno hranite izven dosega otrok, ker ne morejo prepoznati nevarnosti nepravilnega ravnanja s to električno opremo.
7. Pred priključitvijo aparata v električno vtičnico se prepričajte, da napetost na etiketi naprave ustreza napetosti.
8. Poskrbite, da je sušilni stroj izklopljen in da ni priključen na električno vtičnico, ko ga boste čistili ali popravljali.
9. Poskrbite, da sušilnik hrane in kabel ne visita preko roba delovnega območja in ga hranite stran od vročih predmetov in odprtega ognja, sicer se lahko plastika na sušilniku topi in povzroči požar.
10. V nobenem primeru ne potaplajte naprave ali vtiča v vodo ali drugo tekočino. Naprave ne uporabljajte, ko so roke mokre.
11. Redno preverjajte napravo in vtič za poškodbe.
12. Naprave ne uporabljajte, če je vtič z vtičem poškodovan, če je bila naprava poškodovana, padla ali kako drugače poškodovana.
13. Če je kabel naprave poškodovan, ga mora zamenjati proizvajalec, servisna služba ali podobno usposobljene osebe.
14. Popravila sušilnika hrane lahko izvaja samo usposobljen električar. Nepravilno popravilo lahko ogrozi uporabnika.
15. Noben del stroja ni primeren za pomivalne stroje, če ni drugače navedeno.
16. Vedno izklopite napravo, preden jo priključite ali iztaknete iz vtičnice. Če želite odklopiti kabel, primite vtičač, ne vlecite za kabel.
17. Te opreme ne uporabljajte s podaljškom, razen če je kabel pregledal in preizkusil usposobljen serviser.
18. Nikoli ne uporabljajte neoriginalne opreme.
19. Izogibajte se stiku z gibljivimi deli. Med uporabo naprave imejte roke, lase, oblačila, lopatico in druge kuhinjske pripomočke stran od naprave. To bo zmanjšalo tveganje poškodb in / ali poškodb naprave.
20. Če vroč zrak potuje iz motorja v zunanjo stran sušilnega stroja, ga ne obračajte na steno ali na vnetljive predmete, temveč odprite prostor.
21. Sušilnika za živila ne postavljajte na neposreden vir toplote. Pazite, da vtič nikamor ne pritisnete, sicer lahko pride do požara ali električnega udara.
22. Če sušilnik za živila predate komu drugemu, jim morate ta priročnik tudi predati.
23. Ta naprava ni namenjena za uporabo z zunanjim časovnikom ali drugim krmilnim sistemom.

Opozorilo:

- Da bi se izognili nevarnosti električnega udara, izdelka in vtiča nikoli ne potaplajte v vodo ali ga izpostavljajte dežju, vlagi ali drugim tekočinam.
- Aparata ne uporabljajte v bližini kadi, umivalnikov in drugih posod, ki vsebujejo vodo ali druge tekočine, ali na mokrih ali mokrih površinah. Naprave ne hranite v vlažnem okolju.
- Sušilnika ne izpostavljajte visokim temperaturam, sončni svetlobi ali vlagi.
- Naprave ne uporabljajte, ko so roke mokre.
- Izklopite napajanje enote v vlažnem okolju.
- Če naprava pade v vodo, izklopite napravo in takoj odstranite vtič.

NE ODSTRANITE NAPRAVE IZ VODE, ko je NAPAVAL IZKLOPLJEN.

- Pomembno je vedeti, da mora napravo najprej pregledati usposobljen tehnik, preden jo lahko ponovno uporabite.
- **POZOR!** Naprave ne uporabljajte več kot 48 ur v eni uporabi. Po 48 urah, ko je sušilnik v uporabi, ga izključite in pustite, da se ohladi vsaj 2 uri, preden ga ponovno uporabite.
- Aparata ne uporabljajte v bližini plinskih razpršil.
- Nepravilno delovanje in nepravilno ravnanje z napravo lahko povzročita okvaro in poškodbo uporabnika.
- Napajalni kabel ne sme biti pritrdjen na težkih ali ostrih predmetih, sicer lahko pride do požara ali električnega udara.
- Med delovanjem je lahko temperatura ustrezne površine pod sušilnikom visoka.

Lastnosti sušilnika

Naprava je opremljena z avtomatskim krmilnim sistemom za kroženje vročega zraka. Zato je sušenje hrane v tem sušilniku enako.

Posušena živila ohranijo skoraj vse prehranske vrednosti in njihov okus se ne spremeni. Zato so odlična izbira za zdravo malico.

To je odličen način, da obdržite sadje, majhno hrano, zelenjavo, zelišča in še več.

Sušilni stroj je opremljen s pladnji za sušenje iz nerjavečega jekla 6, zmogljivost vsakega pladnja pa je 0,6 kg surovine.

Možno je odstraniti eno ali več plošč, kar vam daje več prostora za sušenje močnejših surovin.

Sušilni pladnji se enostavno čistijo.

Za lažje čiščenje uporabite pladenj na dnu sušilnika za zbiranje umazanije in drobtin.

Med sušenjem zaprite vrata.

Pred prvo uporabo

1. Odstranite vso embalažo iz sušilnika in njegove dodatne opreme. Preverite vsebino paketa.
2. Sušilni pladenj očistite z vlažno krpo.
3. Sušilnik postavite na trdno, ravno površino. Priključite ga. Posode za sušenje vstavite v sušilnik.
4. Sušilnik vklopite za 30 minut pri največji temperaturi, brez hrane. Poskrbite, da je prostor dobro prezračen. Normalno je, da sušilnik proizvaja dim ali vonj.
5. Posode za sušenje izperite v vodi in jih posušite.

Opomba: To je treba storiti samo pred prvo uporabo.

Nasveti za sušenje

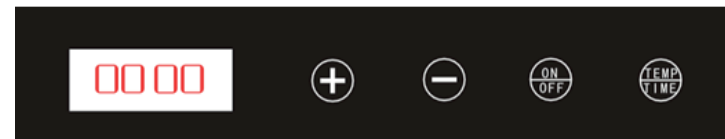
Čas sušenja hrane se lahko spreminja glede na naslednje dejavnike:

1. Debelina kosov ali rezin
2. Število izplačanih plač
3. Objem posušene hrane
4. Vlažnost v vašem okolju
5. Vaše osebne želje za vse vrste sadja

Priporočljivo za sušenje

- Vsako uro preverite posušeno hrano.
- Upoštevajte težo posušene hrane in kako dolgo ste posušili hrano.
- Pravilno shranjevanje hrane po sušenju hrano ohranja v dobrem stanju in ohranja hranila.

Uporaba naprave



1. Na posode za sušenje položite očiščeno hrano. Posode za sušenje ne prepolnite in hrana se ne sme prekrivati.
Zaprte vrata sušilnika.
2. Priključite aparat. Sušilec enkrat zapiska, gumb ON / OFF sveti in na zaslonu se prikaže '8888'.
3. Pritisnite gumb za vklop / izklop, LED prikazovalnik prikaže privzeto nastavitev 10:00 in temperaturo 70 °C. Najprej se zažene motor in ventilator, nato pa se ogrevalni sistem zažene po 5 sekundah. Nato se začne odštevanje nastavljenega časa sušenja in na zaslonu LED utripa simbol ': ':'.
Pritisnite tipko TEMP / TIME. Na zaslonu bo utripala temperatura.
S tipko + ali - nastavite temperaturo (temperaturno območje je 35 ° C-75 ° C).
OPOMBA: Temperatura je nastavljena na 5 ° C. Pritisnite in držite + ali - za hitrejšo nastavitev temperature.
5. Ko nastavite temperaturo, ponovno pritisnite tipko TEMP / TIME, da nastavite čas sušenja.
Na zaslonu utripa čas, za nastavitev časa uporabite gumb + ali - (časovno območje je 0:30-48:00).
OPOMBA: Čas lahko nastavite po 30 minutnem intervalu. Pritisnite in držite + ali -, da hitreje nastavite čas.
6. Po nastavitvi zelene temperature in časa začne naprava delovati.
OPOMBA: Če med sušenjem pritisnete gumb za VKLOP / IZKLOP, se vse funkcije ustavijo. Displeji 0000 '' se prikaže na zaslonu.
OPOMBA: Nastavitve časa ali temperature lahko kadar koli spremenite s pritiskom na tipko TEMP / TIME. Najprej pritisnite TEMP / TIME, nato pritisnite "+" ali "-".
7. Ko se čas sušenja konča, se najprej izključi grelec. Ventilator bo še vedno pihal 10 sekund in brenčalo bo 20-krat (enkrat na sekundo).
8. Po sušenju izklopite sušilni stroj.

Vaše suho suho sadje in zelenjava bo videti drugače kot suho sadje in zelenjava, kupljeno v trgovinah in supermarketih. To je zato, ker bo vaše suho sadje in zelenjava posušeno brez konzervansov, umetnih barvil in drugih sestavin.

Snemanje vlažnosti zraka in teže posušene hrane pred in po sušenju vam bo pomagalo izboljšati tehnike sušenja v prihodnosti.

Shranjevanje

- Posušeno hrano shranite po ohlajenju.
- Živila bodo trajala dlje, če so shranjena na hladnem, suhem in temnem mestu.
- Poskusite odstraniti čim več zraka iz vrečke ali posode, kjer shranjujete posušeno hrano in jo trdno zatesnite.
- Optimalna temperatura shranjevanja je 15 ° C ali manj.
- Posušene hrane nikoli ne shranjujte v kovinski posodi.
- Izogibajte se shranjevanju v posodah z luknjami ali posodami, ki imajo slabo tesnjenje.
- Po sušenju in shranjevanju hrane jih občasno preverite glede vlage. Če je hrana vlažna, jo morate posušiti dlje, da se ne poškoduje.
- Posušeno sadje, zelenjavo, zelišča, oreške itd. Se ne smejo hraniti več kot 1 leto, če so shranjeni v hladilniku ali zamrzovalniku.
- Suho meso, perutnina in ribe se ne smejo skladiščiti več kot 3 mesece, če so shranjene v hladilniku in več kot 1 leto v zamrzovalniku.

Metode vzdrževanja / čiščenja

Po uporabi sušilnika ga pred čiščenjem izključite in pustite, da se ohladi.

Z mehko krtačo odstranite ostanke suhe hrane na sušilnih pladnjih.

Pred shranjevanjem posušite vse dele sušilnika.

Površino sušilnika operite s krpo.

Uporabite papirnate brisače in odstranite odvečno marinado.

Da ne bi poškodovali površine sušilnika, je ne čistite z agresivnimi kemikalijami ali abrazivnimi sredstvi.

Tehnična specifikacija:

Napetost: 220-240 V~, 50/60 Hz

Moč: 550-650 W

Časovnik: 00:30-48:00

Temperatura: 35 °C - 75 °C

Tabela priprave zelenjave

Izdelek	Priprava	Stanje po sušenju	Čas sušenja (ur)	Priporočena temperatura (°C)
Artičoke	Razrežite in zavrite 10 minut.	Krhka	6 - 14	57
Šparglji	Razrežite na kose. Konice špargljev so okusnejše.	Krhka	6 - 14	52
Fižol	Na kratko izrežite in kuhajte.	Krhka	8 - 26	57
Pese	Lupite in odstranite korenine.	Krhka	8 - 26	57
Brstični ohrov	Rezano steblo, narežemo na polovice.	Crispy	8 - 30	52
Brokoli	Razrežite in zavrite 3-5 minut.	Krhka	6 - 14	52
Glavnato zelje	Narežite na trakove.	Toga	6 - 14	52
Korenje	Kuhamo do mehkega. Narežite na rezine.	Toga	6 - 12	52
Cvetača	Zgrejte in prerežite.	Toga	6 - 16	52
Zelena	Narežite na rezine.	Krhka	6 - 14	52
Drobnijak	Kosite.	Krhka	6 - 10	52
Kumara	Narežite.	Toga	6 - 18	52
Jajčevci	Lupina in rezina.	Krhka	6 - 18	52
Česen	Odstranite lupino in rezino.	Krhka	6 - 16	52
Chili peppers	Suha cela.	Toga	6 - 14	52
Gobe	Razrežite na rezine, narežite ali posušite cele.	Toga	6 - 14	52
Čebula	Rezino ali sekanje.	Krhka	8 - 14	63
Grah	Kuchamo 3 - 5 min.	Krhka	8 - 14	52
Paprika	Razrežite na rezine, odstranite semena.	Krhka	4 - 14	52
Krompir / Sladki krompir	Narežite na rezine ali kocke in kuhamo 8 - 10 minut.	Krhka	6 - 18	52
Rabarbara	Odstranite kožo in rezino.	Ni vlage	6 - 38	57
Špinača	Para do mehkega.	Krhka	6 - 16	52
Paradižnik	Odstranite kožo, narežite na rezine ali polovice.	Krhka	6 - 24	52
Bučke	Razrežite na rezine.	Krhka	6 - 18	52

Slovenska različica priročnika je natančen prevod originalnih navodil proizvajalca.

Slike, uporabljene v priročniku, so samo za ilustracijo in se morda ne ujemajo natančno z izdelkov.

Tabela za pripravo sadja

Izdelek	Priprava	Stanje po sušenju	Čas sušenja (ur)	Priporočena temperatura (°C)
Jabolka	Razrežite, odstranite jedrl.	Mehko	5 - 6	57
Marelice	Čistite, narežite na rezine ali polovice.	Mehko	12 - 38	57
Banane	Lupine in rezine.	Krhko	8 - 38	57
Jagode	Rezane jagode na rezine	Ni vlage	8 - 26	57
Češnjev kamen	Odpeckiraj.	Toga	8 - 34	57
Brusnice	Sekaj ali suši celo.	Mehko	6 - 26	57
Datle	Odpeckiraj in narezaj.	Toga	6 - 26	57
Figy	Narežite na platke.	Toga	6 - 26	57
Vino iz grozdja	Suho vse.	Mehko	8 - 38	57
Nektarine	Narežite na polovice, posušite skorjo navzdol.	Mehko	8 - 26	57
Breskve	Razrežite ali narežite na četrti. Suho stran navzgor.	Mehko	10 - 34	57
Hruške	Luščenje in rezanje.	Mehko	8 - 30	57
Zelišča	Rezina, sekanje ali suha cela.	Ni vlage	6 - 10	40

Proizvodnja suhega govejega mesa

Najpomembnejša stvar je prava izbira mesa. Izberite kakovostno meso in odstranite odvečne maščobe in tkiva. Maščoba zmanjšuje sposobnost suhega mesa.

Za lažje rezanje mesa ga postavite v zamrzovalnik za 30 minut, nato ga obrnite in pustite v zamrzovalniku še 15 minut. Meso narežemo na tanke rezine.

Meso naložite najmanj 3 ure pred sušenjem, po možnosti čez noč.

Meso lahko solimo, poprašimo, začинimo ali posipamo s suhim česnom ali čebulo.

Marinirane rezine osušite s papirnato brisačo in jih položite na plošče (meso je potrebno ustrezno posušiti in zaščititi aparat). Meso posušite, dokler njegova struktura ne postane nekoliko voljna. Sušenje mesa traja od 6 do 16 ur. Posušeno goveje meso bi moralo biti rahlo žvečeno, ne krhko.

Goveja marinada

- 1/2 skodelice sojine omake
- 2 žlici rjavega sladkorja
- 1/2 skodelice Worcester omake
- 1/2 čajne žličke čebulnega prahu
- zdrobljen strok česna
- 2 žlici ketchupa
- 13/4 čajnih žličk soli
- 1/2 čajne žličke popra





powerful blenders



food dehydrators



hand mixers



food processor



juicers

More products G21